

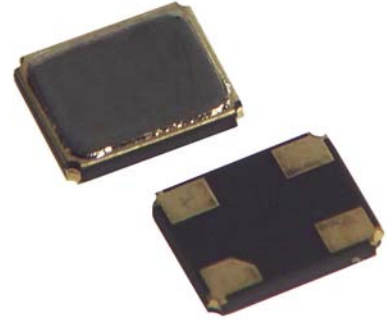
P/N: WTL3M10638

SEAM SEALED CERAMIC 3.2 X 2.5mm SMD



FEATURE

- Ultra thin, thickness 1.0mm
- Leadless type
- High precision characteristic covering up to high frequency range
- Designed for automatic mounting and reflow soldering
- Emboss taping specification
- The best choice of Bluetooth wireless communication sets, DSN, PDA and mobile phone.



ELECTRICAL SPECIFICATIONS

| | |
|--|--|
| Output Frequency Range | 20.000MHz |
| Mode | Fundamental / table 1 |
| Frequency Tolerance (at 25°C) | ±30ppm |
| Frequency Stability Over Operating Temperature Characteristics | ±30ppm |
| Operating Temperature Range | -40 °C to +85°C |
| Storage Temperature Range | -55°C to + 125 °C |
| Shunt Capacitance (C ₀) | 5.0 pF Max |
| Driver Level (Typical) | 10μW |
| Load Capacitance(C _L) | 20pF |
| Aging @25°C 1 st year (Max) | ±3ppm/year |
| Shock Resistance | Drop test of 3 times on 2mm stainless plate from 75cm height |

REMARK: SPECIFICATIONS SUBJECT TO CHANGE WITHOUT PRIOR NOTICE. PLEASE CONFIRM WITH OUR SALES ENGINEER.

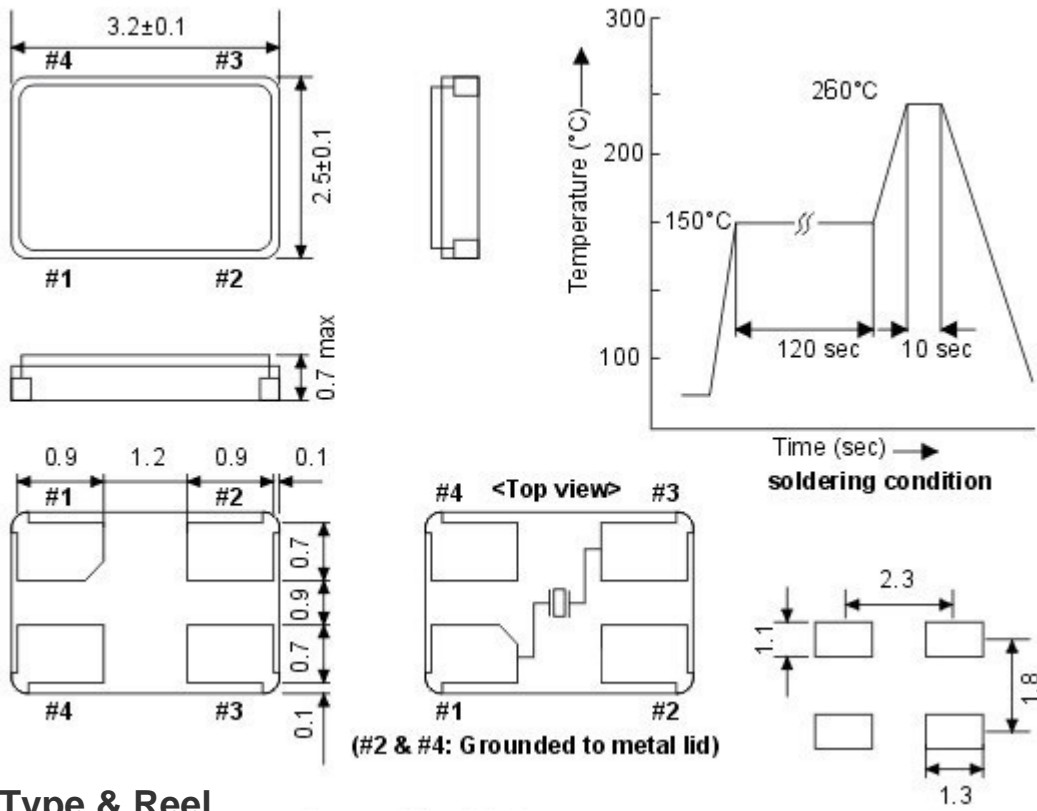
EQUIVALENT SERIES RESISTANCE (ESR) (Table 1)

| Frequency Range | E.S.R(Ω) | Mode |
|-----------------|----------|----------------|
| 12~24MHz | 80Ω Max | AT/Fundamental |
| 24~50MHz | 60Ω Max | AT/Fundamental |

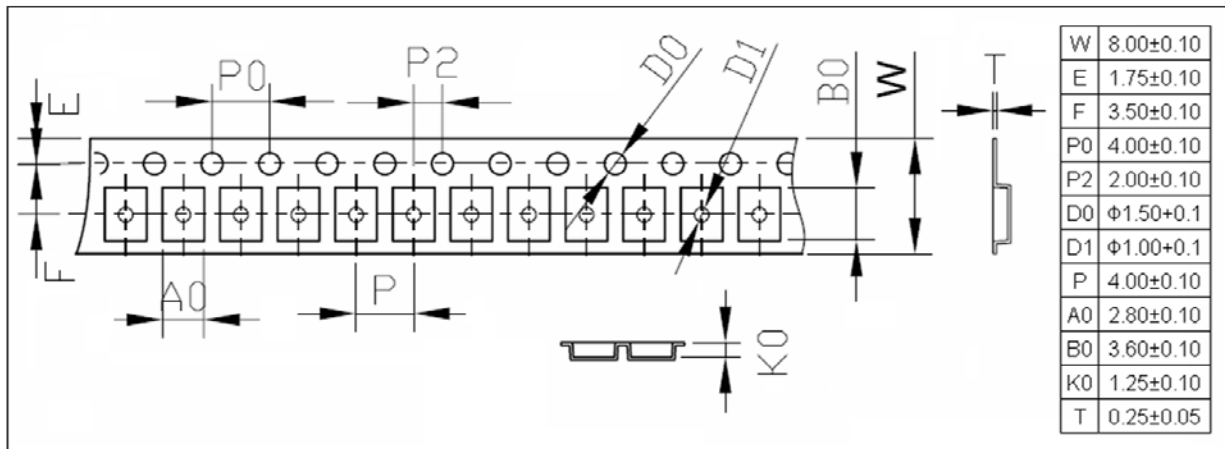
P/N: WTL3M10638
SEAM SEALED CERAMIC 3.2 X 2.5mm SMD



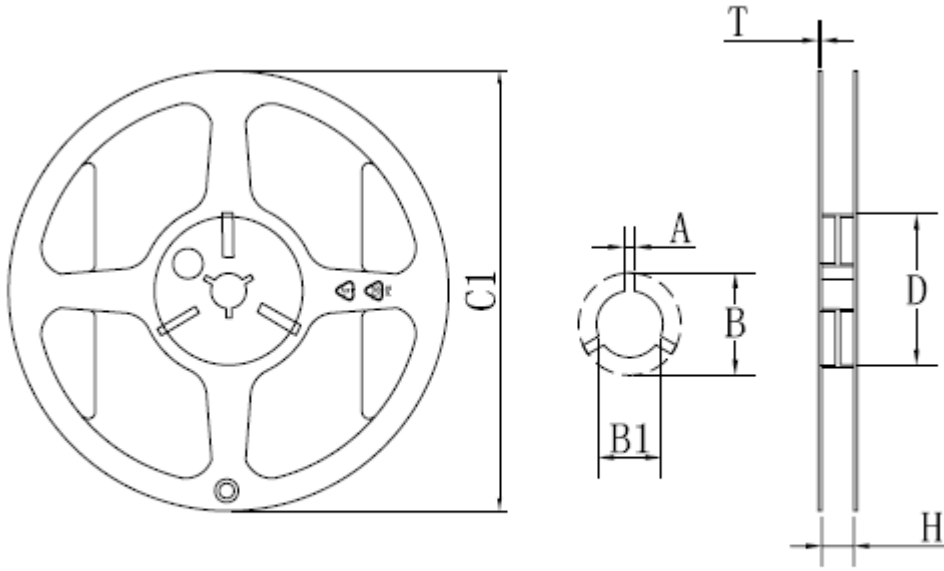
Dimension



Type & Reel



P/N: WTL3M10638
SEAM SEALED CERAMIC 3.2 X 2.5mm SMD



| $C1 \pm 1$ | $A \pm 0.3$ | $B \pm 0.3$ | $B_1 \pm 0.3$ | $T \pm 0.2$ | $D \pm 0.5$ | $H_{-0.5}^{+0.5}$ |
|------------|-------------|-------------|---------------|-------------|-------------|-------------------|
| 178 | 2.5 | 21.0 | 13.2 | 1.0 | 60.5 | 8.5 |