

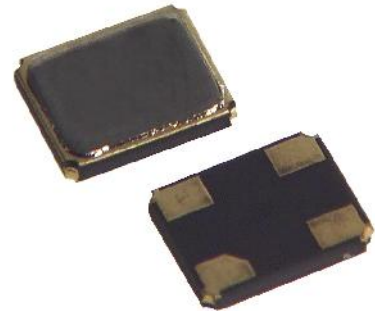
P/N:WTL3M10640

SEAM SEALED CERAMIC 3.2 X 2.5mm SMD



FEATURE

- Ultra thin, thickness 1.0mm
- Leadless type
- High precision characteristic covering up to high frequency range
- Designed for automatic mounting and reflow soldering
- Emboss taping specification
- The best choice of Bluetooth wireless communication sets. DSN, PDA and mobile phone.



ELECTRICAL SPECIFICATIONS

Output Frequency Range	27.000MHz
Mode	Fundamental
Frequency Tolerance (at 25°C)	±30ppm
Frequency Stability Over Operating Temperature Characteristics	±30ppm
Operating Temperature Range	-40 °C to +85 °C
Storage Temperature Range	-55 °C to + 125 °C
Shunt Capacitance (C ₀)	5.0 pF Max
Driver Level (Typical)	10μW
Load Capacitance(C _L)	20pF
Aging @25°C 1 st year (Max)	±5ppm/year
Shock Resistance	Drop test of 3 times on 2mm stainless plate from 75cm height

REMARK: SPECIFICATIONS SUBJECT TO CHANGE WITHOUT PRIOR NOTICE. PLEASE CONFIRM WITH OUR SALES ENGINEER.

EQUIVALENT SERIES RESISTANCE (ESR) (Table 1)

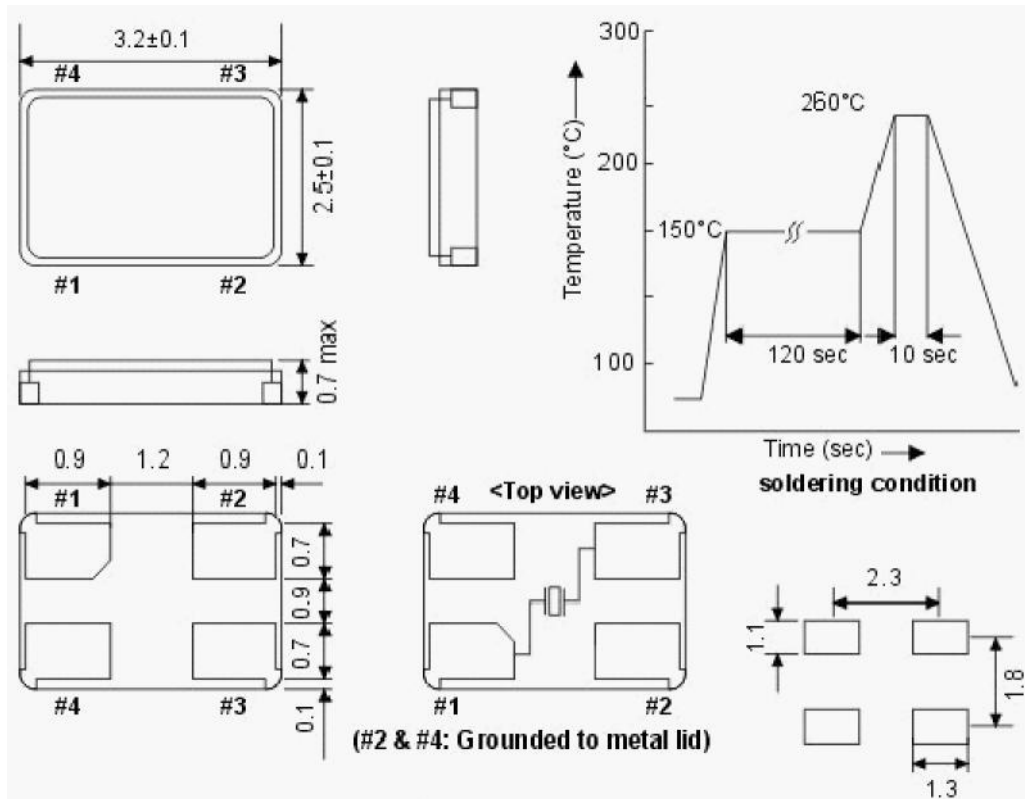
Frequency Range	E.S.R(Ω)	Mode
12~24MHz	80 Ω Max	AT/Fundamental
24~50MHz	60 Ω Max	AT/Fundamental

P/N:WTL3M10640

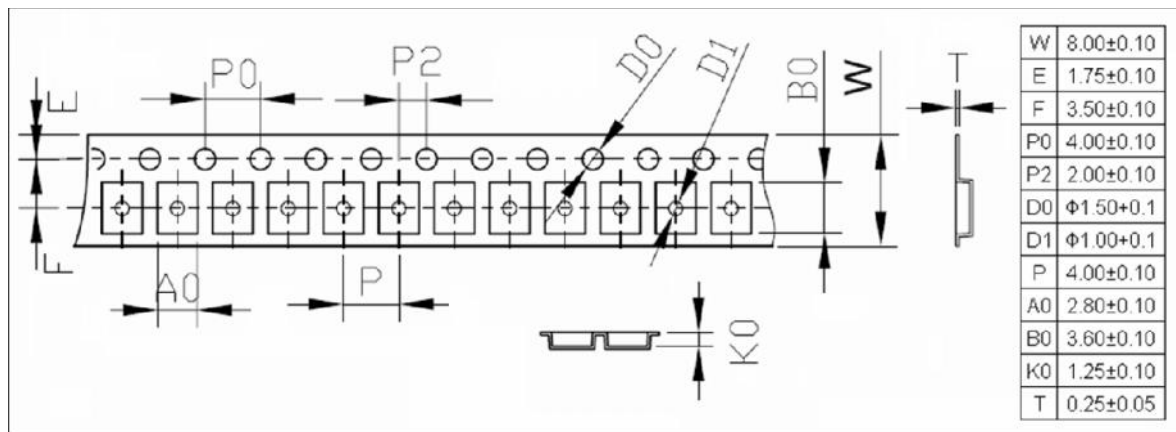
SEAM SEALED CERAMIC 3.2 X 2.5mm SMD



Dimension

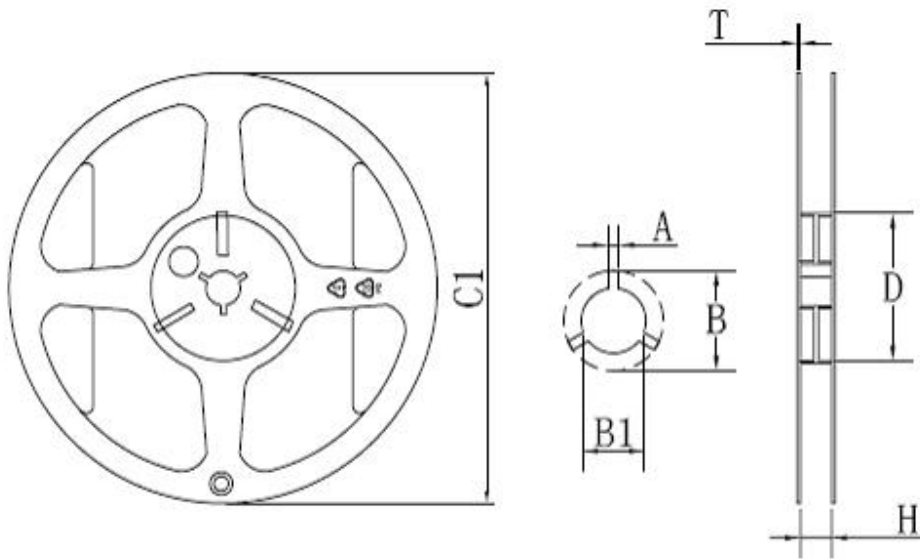


Tape & Reel



P/N:WTL3M10640

SEAM SEALED CERAMIC 3.2 X 2.5mm SMD



$C1 \pm 1$	$A \pm 0.3$	$B \pm 0.3$	$B1 \pm 0.3$	$T \pm 0.2$	$D \pm 0.5$	$H_{-0.5}^{+0.5}$
178	2.5	21.0	13.2	1.0	60.5	8.5