

**P/N: WTL3M10553**  
**SEAM SEALED CERAMIC 3.2 X 2.5mm SMD**



**FEATURE**

- I Ultra thin, thickness 1.0mm
- I Leadless type
- I High precision characteristic covering up to high frequency range
- I Designed for automatic mounting and reflow soldering
- I Emboss taping specification
- I The best choice of Bluetooth wireooth wireless communication sets.DSN,PDA and mobile phone.



**ELECTRICAL SPECIFICATIONS**

Output Frequency Range	27.120MHz
Mode	AT/Fundamental
Frequency Tolerance (at 25°C)	±10ppm
Frequency Stability Over Operating Temperature Characteristics	±50ppm
Operating Temperature Range	-10 °C to +60 °C
Storage Temperature Range	-55 °C to + 125 °C
Shunt Capacitance (C <sub>0</sub> )	5.0 pF Max
Driver Level (Typical)	10μW~ 100μW
Load Capacitance(C <sub>L</sub> )	20pF
Aging @25°C 1 <sup>st</sup> year (Max)	±3ppm/year
Shock Resistance	Drop test of 3 times on 2mm stainless plate from 75cm height

**REMARK:** SPECIFICATIONS SUBJECT TO CHANGE WITHOUT PRIOR NOTICE. PLEASE CONFIRM WITH OUR SALES ENGINEER.

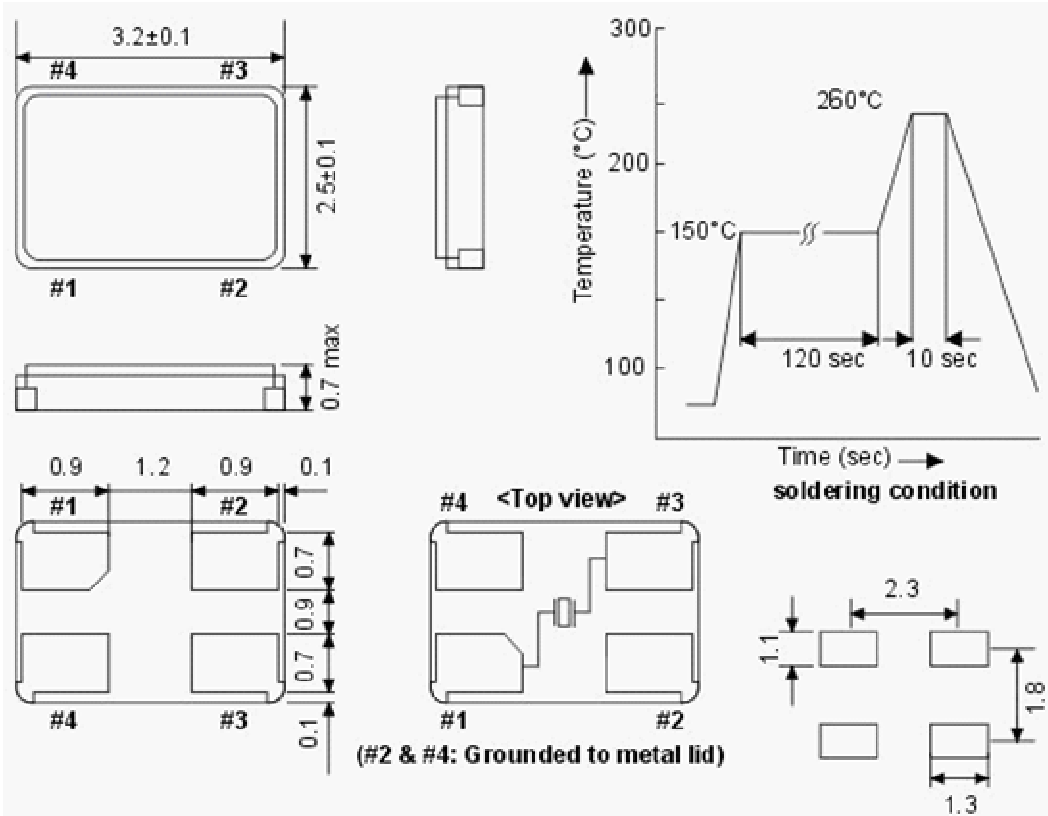
**EQUIVALENT SERIES RESISTANCE ( ESR) (Table 1)**

Frequency Range	E.S.R(Ω)	Mode
12~24MHz	80Ω Max	AT/Fundamental
24~50MHz	60Ω Max	AT/Fundamental

**P/N: WTL3M10553**  
**SEAM SEALED CERAMIC 3.2 X 2.5mm SMD**



**Dimension**

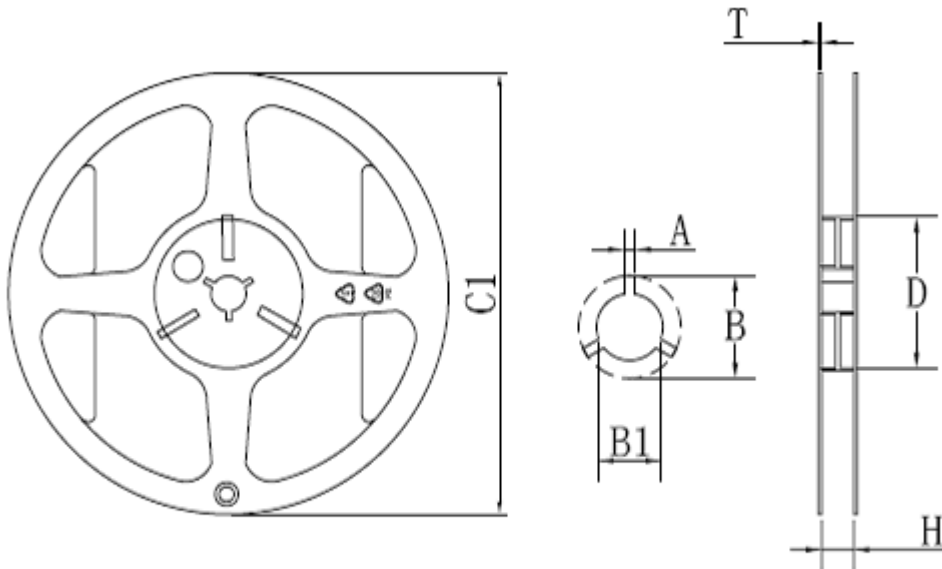
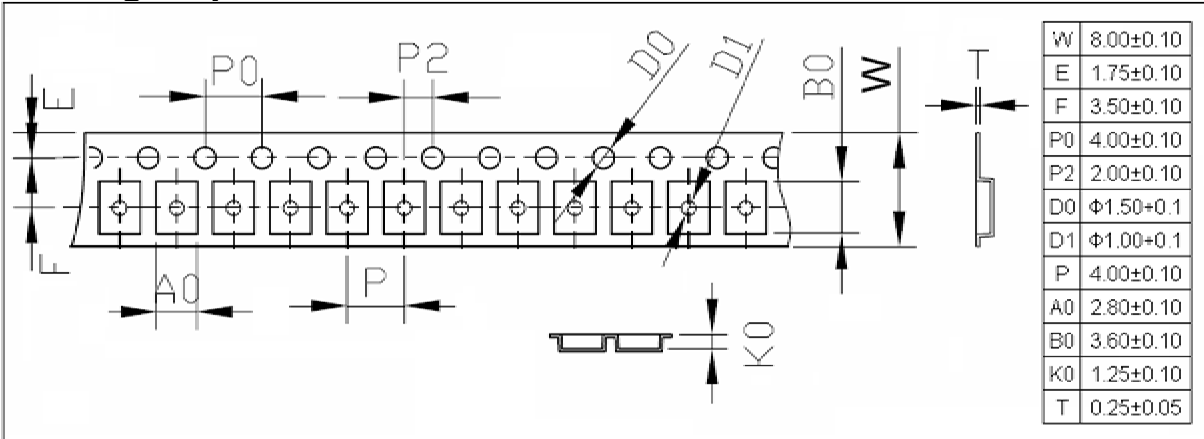


**P/N: WTL3M10553**

**SEAM SEALED CERAMIC 3.2 X 2.5mm SMD**



**Packing :Tape & Reel**



<b>C1±1</b>	<b>A± 0.3</b>	<b>B± 0.3</b>	<b>B1± 0.3</b>	<b>T± 0.2</b>	<b>D± 0.5</b>	<b>H<sub>0.5</sub><sup>0.5</sup></b>
178	2.5	21.0	13.2	1.0	60.5	8.5