

CERAMIC RESONATOR

ZTA Series, DIP AND SMD TYPE

SCOPE

This specification relates to piezoelectric ceramic resonator to be used in a clock generating circuit for microprocessors.



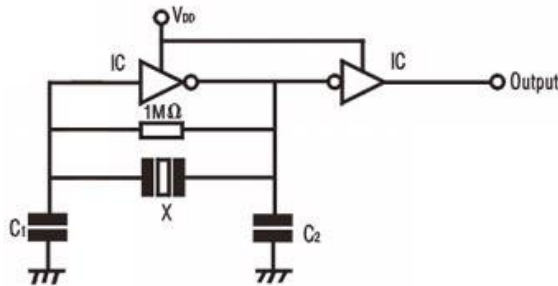
ELECTRICAL CHARACTERISTICS

Part Number		Frequency Range(MHz)	Frequency Accuracy(25°C)	Frequency Stability	Operating Temperature (°C)	Aging for ten years (10)年
Dip Type	SMD Type					
ZTA...MG	ZTACC...MG	1.80-6.99	+/-0.5%	+/-0.3%	-20--+80°C	+/-0.3%
ZTA...MT	ZTACS...MT	7.00-13.00	+/-0.5%	+/-0.3%	-20--+80°C	+/-0.3%
ZTA...MX	ZTACS...MX	13.01-50.00	+/-0.5%	+/-0.3%	-20--+80°C	+/-0.3%

ELECTRICAL CHARACTERISTICS FOR CHIP TYPE

Part Number	Frequency Range(MHz)	Frequency Accuracy(25°C)	Frequency Stability	Operating Temperature (°C)	Aging for ten years (10)年
ZTACC...MG	1.80-8.00	+/-0.5%	+/-0.3%	-20--+80°C	+/-0.3%
ZTACS/CV...MT	7.00-13.00	+/-0.5%	+/-0.3%	-20--+80°C	+/-0.3%
ZTACS...MX	13.01-50.00	+/-0.5%	+/-0.3%	-20--+80°C	+/-0.3%
ZTACV...MX	16.00~50.00	+/-0.5%	+/-0.3%	-20--+80°C	+/-0.3%

TEST CIRCUIT FOR MOSIC



IC(MG,MT):1/6TC4069UBP×2
(MX) :1/6TC74HCU04×2

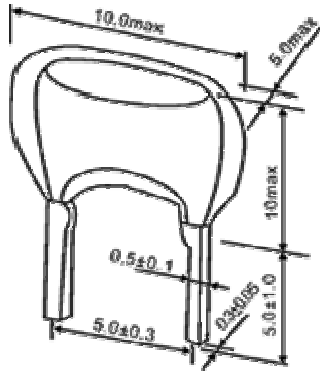
C₁C₂(MG,MT):30 pF
(MX) :30 pF (13.01~20.0MHz)
15 pF (20.01~25.99MHz)
5 pF (26.00~50.00MHz)

X: Ceramic Resonator

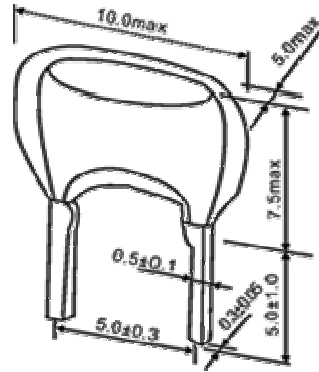
V_{DD}(MG,MX): +5V
(MT) : +12V

CERAMIC RESONATOR

ZTA Series, DIP AND SMD TYPE



ZTACC...MG



ZTACS...MT & ZTACS...MX

ZTACC...

ZTACS...

ZTACV...

