

P/N: WTL7L11056

SEAM SEALED CERAMIC 7.0 X 5.0MM SMD



Customer	WTL
	Approved by: XoXo Lee
	Checked by: Susan He
	Issued by: Sheryl Xia

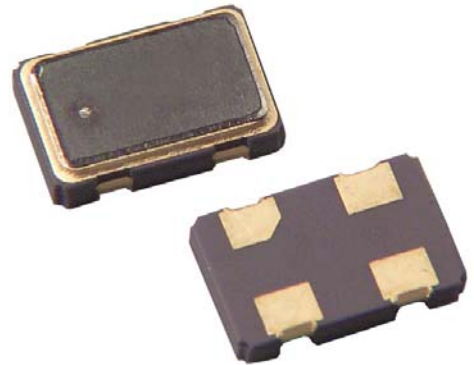
SPECIFICATION

P/N: WTL7L11056

SEAM SEALED CERAMIC 7.0 X 5.0MM SMD

FEATURE

- Broad frequency range from 1.54Mhz to 150MHz
- Compact and thin ceramic package with metalized surface mounting and automatically loaded
- Reflow solder is possible
- Lower noise and current with reduced power consumption
- Built-in C-MOS IC with tri-state function
- 5V and 3.3V supply model available

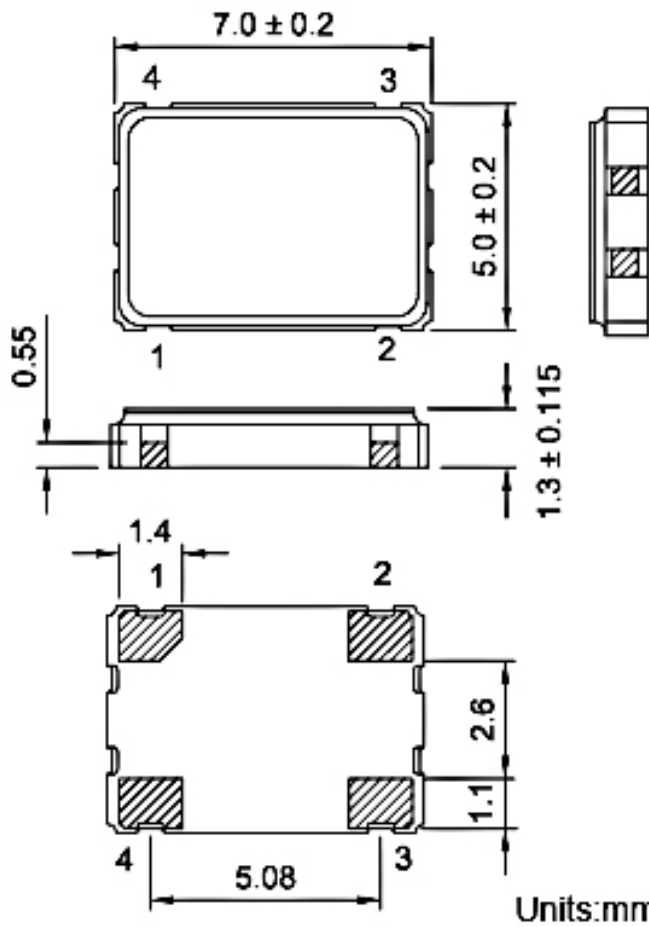


ELECTRICAL SPECIFICATIONS

Parameters	Condition\Model	L07
Fan Out Type		CMOS
Supply Voltage		5V
Frequency Range		16.000MHz
Operating Temperature		-20+70°C
Input Current	Frequency Range	25mA max
Frequency Stability	All Conditions	±50ppm
Symmetry	AT 1/2 Vdd	45/55%
Output Voltage	Vol(max)	0.5V
	VoH(min)	4.5V
Rise/Fall Time	AT 0.1Vdd~0.9Vdd	10ns max
Driving Ability	10 LSTTL Load max	15pF
Start-up Time	Load RANGE	10ms max
E/D Function	#1 OPEN	PIN #3 ACTIVE
	#1 >=2.2V	PIN #3 ACTIVE
	#1 <=0.8V	PIN #3 INACTIVE
PAD Connection	Pin#1-E/D	Pin#3-OUT
	Pin#2 GND	Pin#4-Vdd

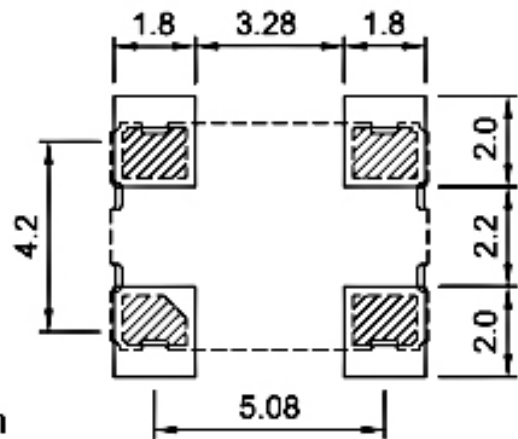
MARKING AND DIMENSIONS

P/N: WTL7L11056
SEAM SEALED CERAMIC 7.0 X 5.0MM SMD

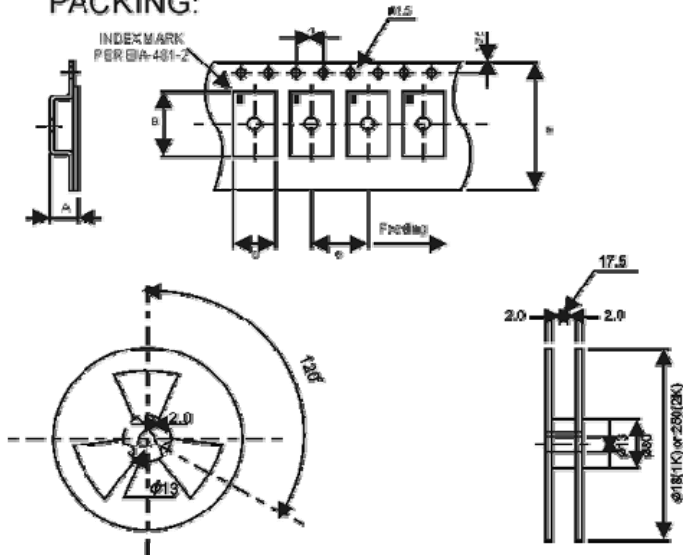


PAD FUNCTION:
 1:ENABLE CONTROL
 2:GND
 3:OUT
 4:VDD

Suggested Layout



PACKING:



A	B	C	D	E	Pcs/Reel
1.3	6.4	3.9	8.0	16	1K or 2K

REMARK:

- 230 mm (9.05) minimum leader which consist of carrier and / or cover tape followed by a minimum of 160 mm (6.3) of empty carrier tape sealed with cover tape.
- 160 mm (6.3) minimum trailer of empty carrier tape sealed with cover tape.