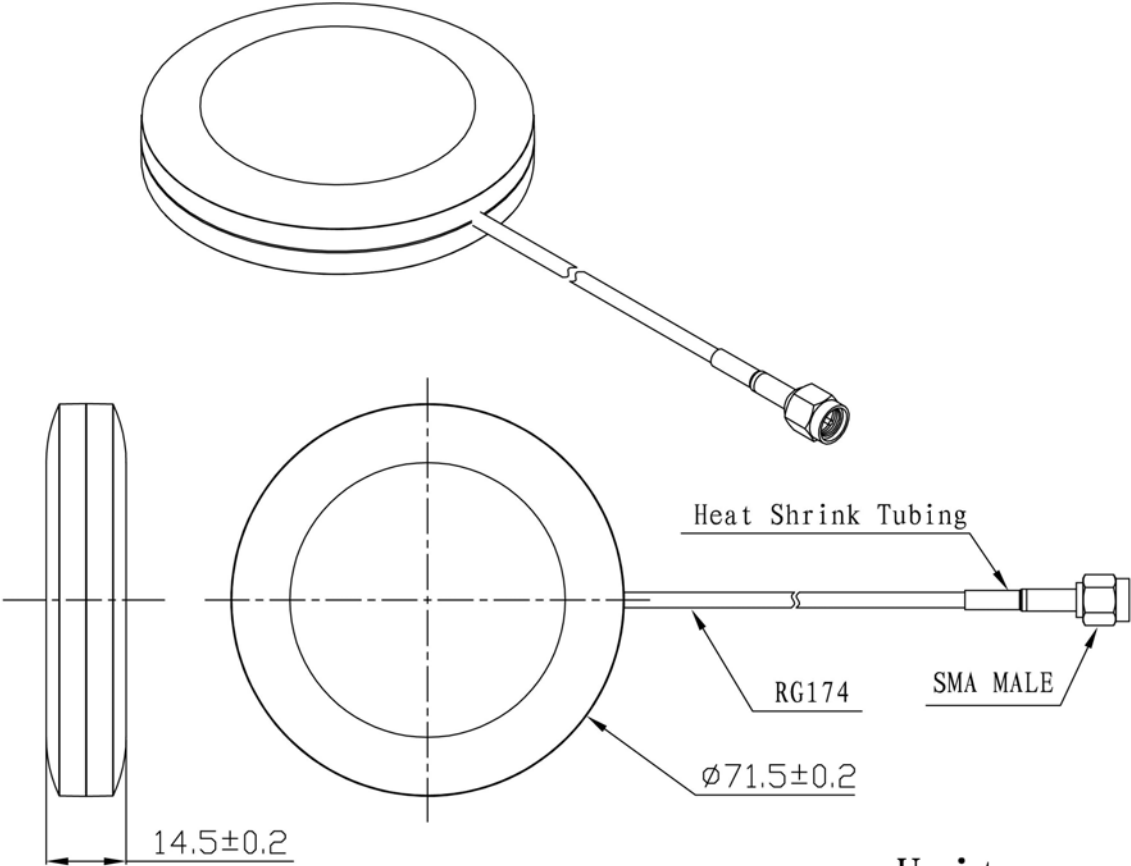


GSM Antenna AN011



DIMENSIONS



Unit: mm

SPECIFICATIONS

| Item | Specifications | |
|---------------|--------------------------|--|
| Antenna | Frequency Range | 824~960/1710~2170MHz |
| | Polarization | Linear |
| | Gain | 2.0dBi (Zenith) |
| | V.S.W.R (min) | <2.5 |
| | Impedance | 50 Ω |
| Mechanical | Cable | RG174 or others |
| | Connector | SMA or others |
| | Radome Material | ABS |
| | Mounting Method | Adhesive |
| Environmental | Operating Temperature | -40°C~+85°C |
| | Relative Humidity | Up to 95% |
| | Vibration | 10 to 55Hz with 1.5mm amplitude 2hours |
| | Environmentally Friendly | ROHS Compliant |