

## WiFi Antenna

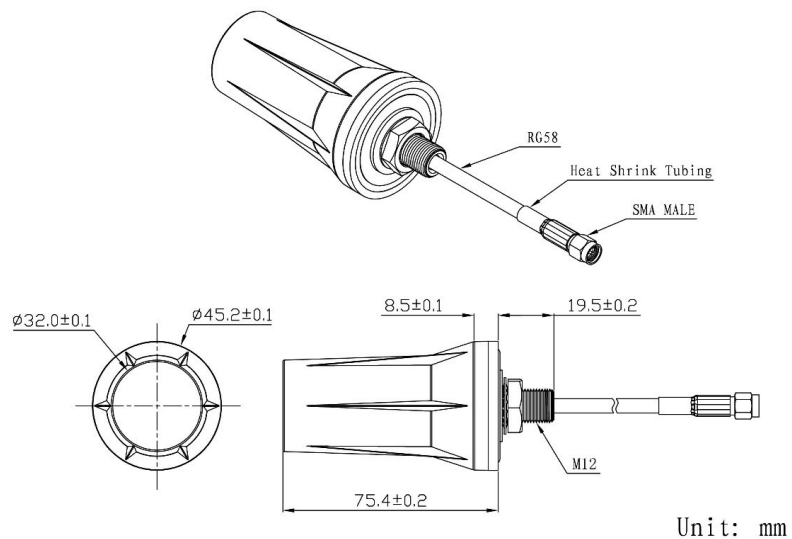
Model : 433M-ANT023



1 Part Number

433M-ANT023

2 Dimension ( Unit : mm )



### 3 Electrical Characteristics

#### 3.1 WiFi Antenna

Item	Specifications	
Antenna	Center Frequency	433MHz
	Band Width	CF±3MHz
	Polarization	Linear
	Gain	2dB ( Zenith )
	V.S.W.R	< 2.0
	Impedance	50Ω
Mechanical	Cable	RG58 or others
	Connector	SMA or others
	Radome Material	ABS
	Mounting Method	Screw
Environmental	Operating Temperature	-40℃~+85℃
	Relative Humidity	Up to 95%
	Vibration	10 to 55Hz with 1.5mm amplitude 2hours
	Environmentally Friendly	ROHS Compliant

### 4 Radiation Pattern

