



## GSM/UMTS ANTENNA

Antenna UMTS/GSM

Stick 401-1S, 2 dBi, SMA(m)

AO-AUMTS-G401-1SS

SECTRON company offers a wide portfolio of GSM antennas with various versions differing in shape, level of gain and manner of attachment. SECTRON guarantees a compatible connection between an antenna and all antenna adaptors produced by SECTRON.

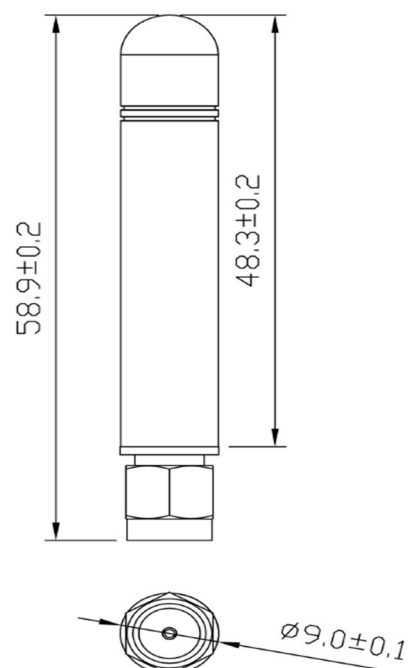


### BENEFITS

- Easy installation
- Omnidirectional - suitable for moving devices
- No cable required

Technology	GSM/UMTS
Frequency bands	800/900/1700/1800/1900/2100 MHz
Bandwidth	-
Gain	2 dBi
VSWR	<2.5:1
Impedance	50 Ohm
Directivity	Omnidirectional
Beam angle	H-360°, V-30°
Polarization	Vertical
Maximum input power	10 W
Power voltage	-
Dimensions	58.9 x 9 mm
Weight	5.81 g
Operating temperature	-40 to +85 °C
Execution	External
Method of attachment	Screw
Cable type	-
The cable length	-
Connector type	SMA(m)

## DRAWING



Different connector variants or cable lengths are available on request.

CONTACTS

---

SECTRON s.r.o. Josefa Šavla 1271/12  
709 00 Ostrava 9, Czech Republic

WWW.SECTRON.CZ  
Tel.: +420 556 621 021