



Integrated Miniaturized Antenna for 2.4GHz Wireless RF Applications

TCA10F is an advanced, surface-mount(SMT) integrated antenna for use in various wireless products, ideal for high-sensitivity and low profile design.



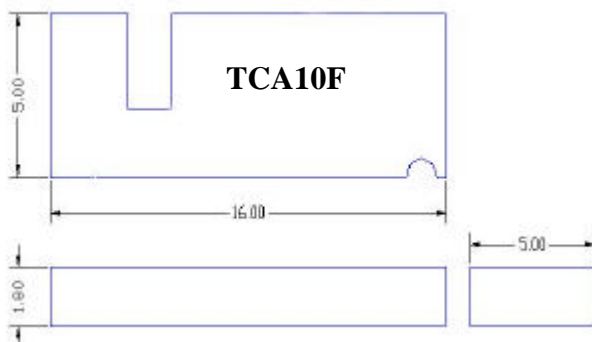
Features:

- Miniaturized size
- Omni-direction
- Low interference design
- Wide bandwidth
- Light weight
- High gain

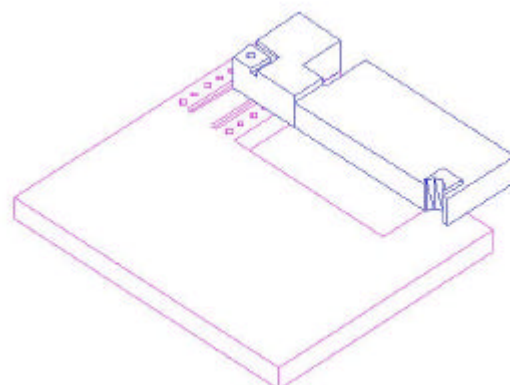
Specification

- | | |
|--------------------|-------------|
| • Part No. | TCA10F |
| • Center Frequency | 2450MHz |
| • Band width | 300MHz |
| • Peak Gain | 3dBi |
| • Typical Gain | 2dBi |
| • Operating Temp. | -20°C~+85°C |
| • Storage Temp. | -40°C~+85°C |
| • Weight | 0.6g |

Outline of TCA10F (unit:mm)

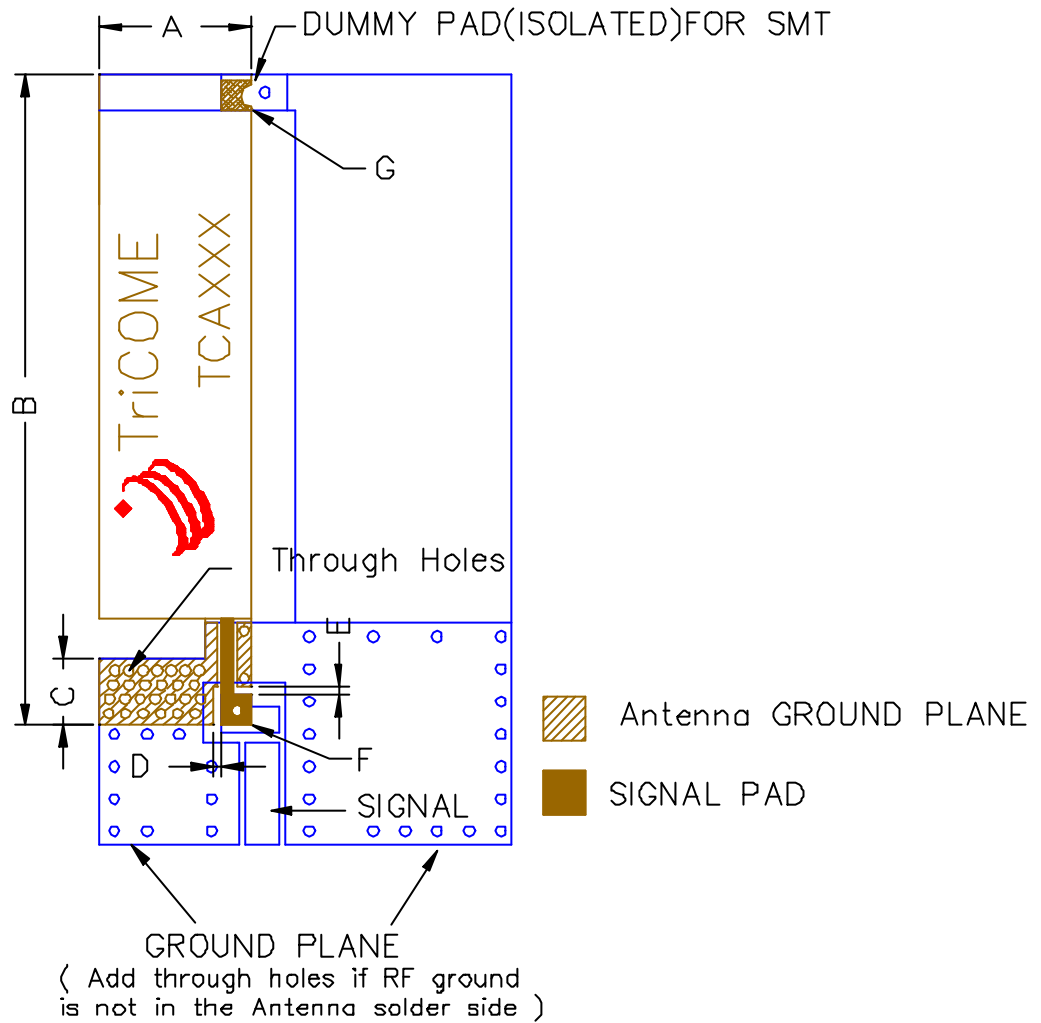


Typical SMT Installation





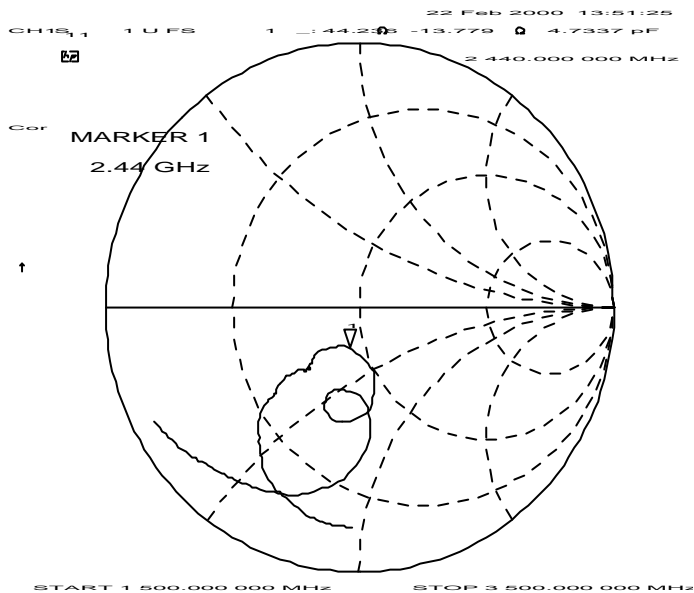
Layout Guide (unit:mm)



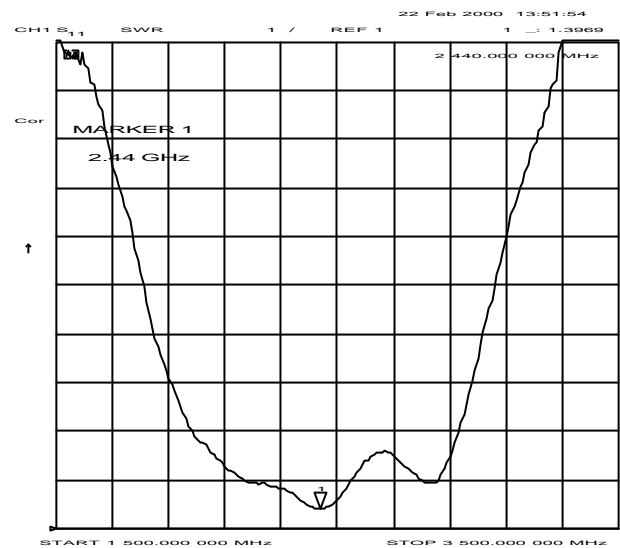
A	5mm
B	16mm
C	3.1mm
D	0.4mm
E	0.4mm
F	1.4x1.4mm
G	1.4x1.4mm

Input Characteristics

Smith Chart

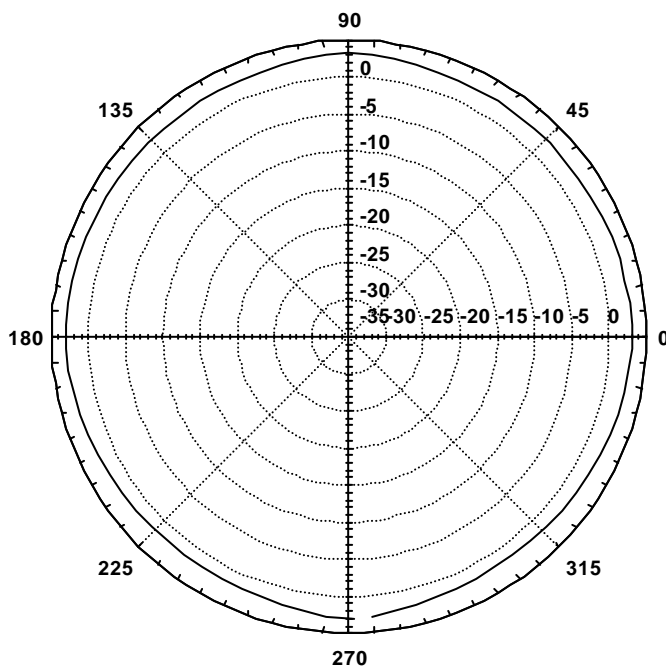


VSWR

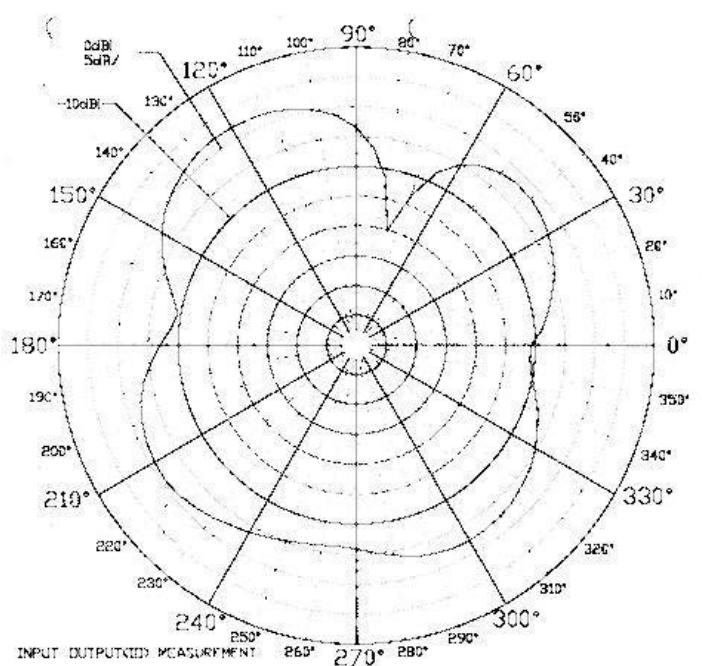


Measured Antenna Patterns at 2.4GHz

H-Plane



E-Plane



This specification, prepared by TriCOME, is believed to be accurate and reliable. But TriCOME reserves the right to make any change or improvement without further notice.