

Product Information

MLX90615SSG

Ultra Small, Intelligent Non Contact IR Thermometer

The MLX90615ESG is the tiniest Intelligent InfraRed thermometer in the world, with a diameter of only 4.7mm (0.185") and height of 2.7mm (0.106"), Its small size is excellent in those applications where "size does matter".

Just like in its bigger brother the MLX90614, the signal processing chip integrated in the Transistor Outline (TO-46) package offers the advantages of a plug and play, fully calibrated thermometer, fitting right into your application.

Applications

- Ear thermometers, fever thermometer
- Continuous body temperature monitoring
- Home healthcare
- Mobile telephone

Features & Benefits

Easy to use

- Factory calibrated IR thermometer with linear digital output
- Small size TO-46 can, easy to integrate
- Streamlined production
- 2.4-3.3V supply voltage with power saving mode for battery operation
- SMBus interface or PWM temperature output

Performance

- Standard calibration in wide temperature range:
ambient temperature from -20 to 85°C
object temperature from -20 to 115°C
- Better than $\pm 0.1^{\circ}\text{C}$ accuracy in the range 30 - 40°C
- 0.02°C readout resolution

Quality

- High reliability and long-term stability
- Traceability through unique ID number in memory
- RoHS compliant



Bus ICs

BLDC Motor
Control ICs

Pressure Sensors

Wireless ICs

Hall Effect ICs
And Sensors

Optoelectronic
Sensors

Sensor Interface ICs

Infrared Sensors

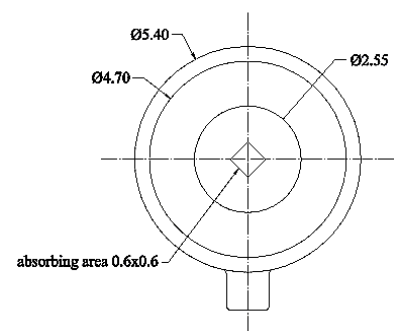
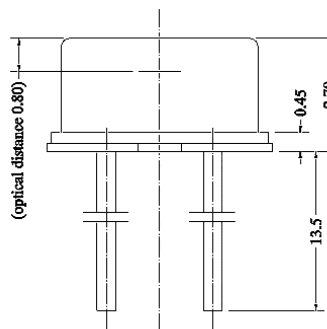
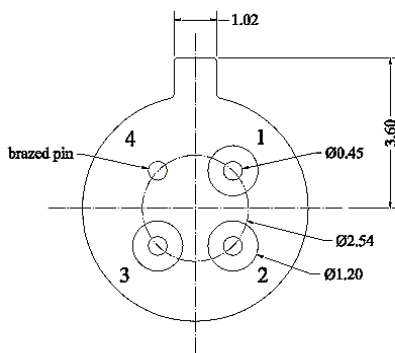
Applications

- **Ear thermometer:** fast and easy fever measurement;
- **Body temperature monitoring:** monitoring the temperature of patients during operation or people in intense physical effort (athletes, firefighters, soldiers).
- **Home healthcare:** measuring temperature in home use health equipment, 24/24 body temperature tracking;
- **Mobile telephones:** The MLX90615 is so small and easy to integrate, it can easily fit into handheld devices;



Mechanical Drawing

Bottom View



For additional information email info@melexis.com or go to our website at: www.melexis.com



We Engineer The Sustainable Future



Disclaimer:
 Devices sold by Melexis are covered by the warranty and patent indemnification provisions appearing in its Term of Sale. Melexis makes no warranty, express, statutory, implied, or by description regarding the information set forth herein or regarding the freedom of the described devices from patent infringement. Melexis reserves the right to change specifications and prices at any time and without notice. Therefore, prior to designing this product into a system, it is necessary to check with Melexis for current information. This product is intended for use in normal commercial applications. Applications requiring extended temperature range, unusual environmental requirements, or high reliability applications, such as military, medical life-support or life-sustaining equipment are specifically not recommended without additional processing by Melexis for each application. The information furnished by Melexis is believed to be correct and accurate. However, Melexis shall not be liable to recipient or any third party for any damages, including but not limited to personal injury, property damage, loss of profits, loss of use, interrupt of business or indirect, special incidental or consequential damages, of any kind, in connection with or arising out of the furnishing, performance or use of the technical data herein. No obligation or liability to recipient or any third party shall arise or flow out of Melexis' rendering of technical or other services. © 2010 Melexis NV. All rights reserved.

- Bus ICs
- BLDC Motor Control ICs
- Pressure Sensors
- Wireless ICs
- Hall Effect ICs And Sensors
- Optoelectronic Sensors
- Sensor Interface ICs
- Infrared Sensors