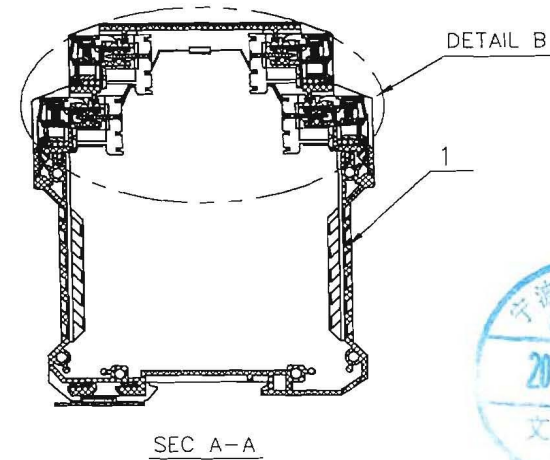
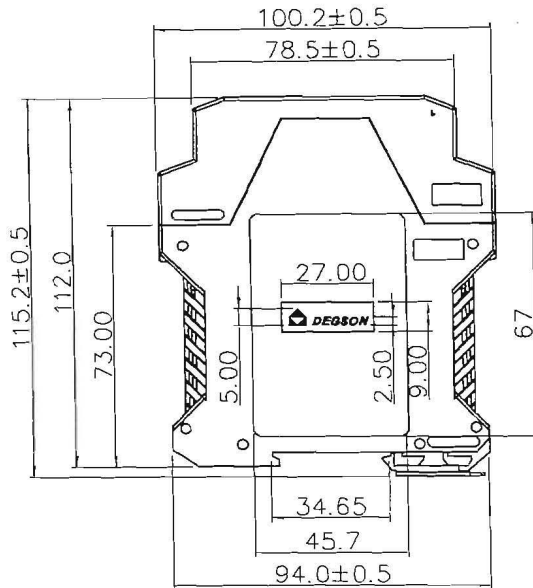
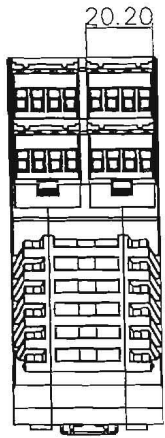
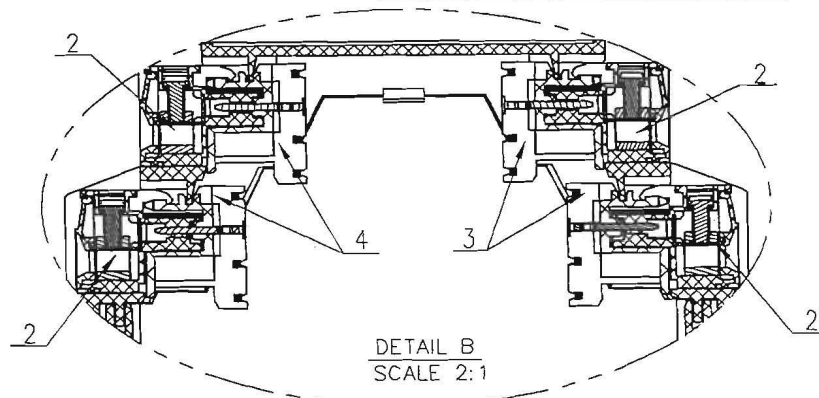
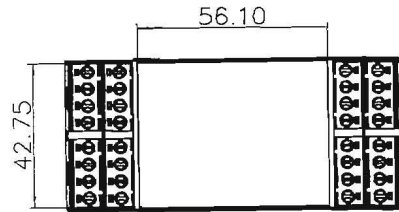


D1RFRD006

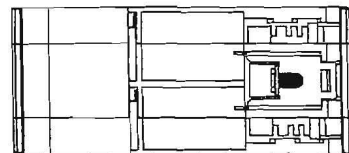
REVISION RECORD				
REV	ECN	DESCRIPTION	DRFT	DATE



NOTES:

1. DIMENSION SHALL BE INTERPRETED PER ASME Y14.5-2009.
2. HOUSING: PA66 UL94V-0
3. UNDIMENSIONED TOLERANCES:

PITCH RANGE IN MM		NOMINAL DIMENSION RANGE IN MM					TOLERANCE
TO	OVER	TO	OVER	TO	OVER	TO	
6	10	24	30	60	100	150	0.05/10
±0.10	±0.15	±0.25	±0.20	±0.30	±0.50	±0.70	±1.00



ITEM	NAME OF PART	NO. OF PART	QTY	MATERIAL	NOTES
4	2EDGRF-5.0-04P-1Y-00A(H) 成品	4			
3	2EDGLF-5.0-04P-1Y-00A(H) 成品	4			
2	2EDGKF-5.0-04P-1Y-00A(H) 成品	8			
1	FMET-08P-1Y-00A(H) 成品	1			

DETACHED LISTS		MATERIAL:		DEGSON 宁波高正电子有限公司	
TOLERANCES EXCEPT AS NOTED		FINISH:		DEGSON 注册商標 DEGSON ELECTRONICS CO., LTD	
PART NO.:		NAME:		FMET-08P-1Y-15AH	
ANGLES ± 1'		APPD: Alex 12/13/13		TITLE: ASSEMBLY DRAWING	
THIRD ANGLE PROJECTION		CHKD: Aaron 12/13/13		DRAWING NO.: FMET-08P-E07	
DRFT: xlm 12/12/13"		DO NOT SCALE DRAWING		SCALE: 1:1	SHEET: 1/1