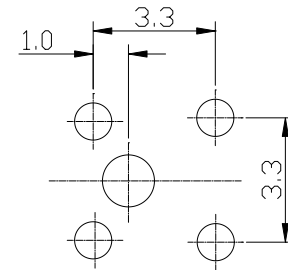
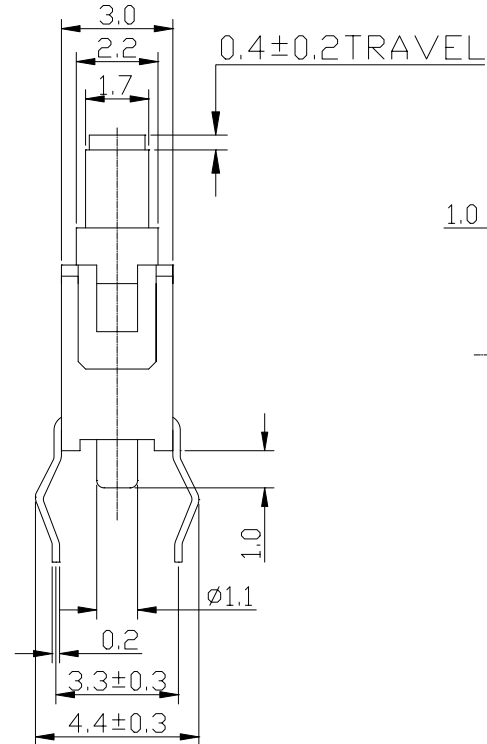
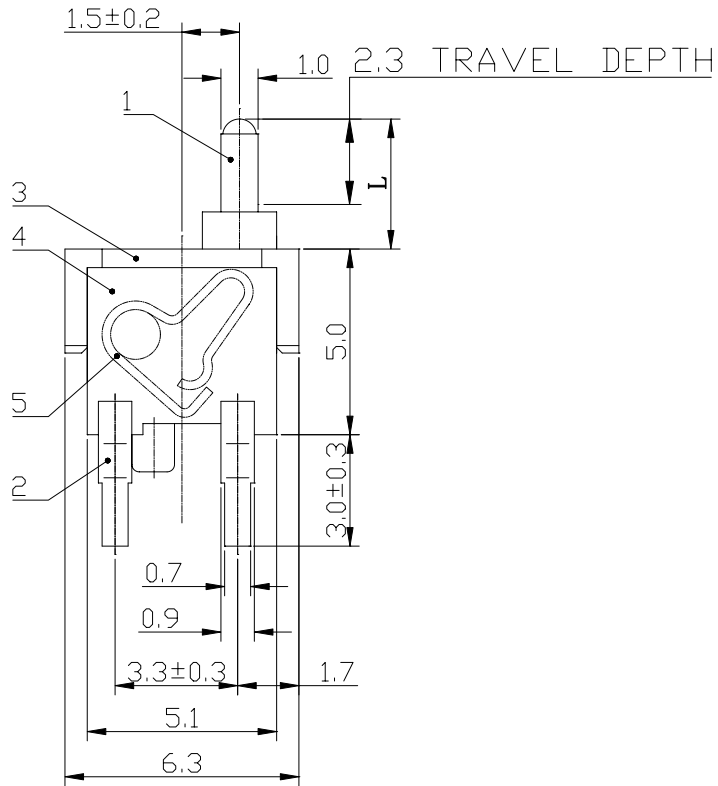


SCHEMATIC

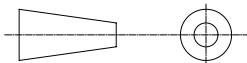


P.C.B. LAYOUT

Model NO.	L=
TC-0030	3.3
TC-0035	5.0
TC-0037	7.4
TC-0038	8.3

TITLE : TACT SWITCH

MODEL : TC-0030



TOLERANCE
 <=1.5mm ±0.1
 > 1.5mm ±0.2

ANGLE
 ±2°

UNIT	MM	DWN.	DATE
SCALE	5 : 1	CHK'D	DATE
VERSION	01	APPD.	DATE

NO.	PART NAME	MATERIAL	QTY.	FINISHING
5	CONTACT SPRING	PBS	1	NATURE
4	CASE	NYLON	1	BLACK
3	COVER	POM	1	BLACK
2	TERMINAL	BRASS STRIP	4	Ag PLATED
1	KNOB	POM	1	BLACK