



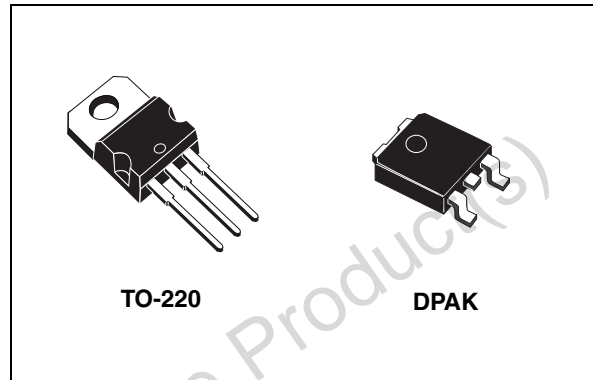
L78MxxAB L78MxxAC

Precision 500 mA regulators

Datasheet – production data

Features

- Output current to 0.5 A
- Output voltages of 5; 6; 8; 9; 10; 12; 15; 24 V
- Thermal overload protection
- Short circuit protection
- Output transition SOA protection
- $\pm 2\%$ output voltage tolerance
- Guaranteed in extended temperature range



Description

The L78MxxA series of three-terminal positive regulators is available in TO-220 and DPAK packages and with several fixed output voltages, making it useful in a wide range of applications. These regulators can provide local on-card regulation eliminating the distribution problems associated with single point regulation. Each type employs internal current limiting, thermal shutdown and safe area protection, making it essentially indestructible. If adequate heat sinking is provided, they can deliver over 0.5 A output current. Although designed primarily as fixed voltage regulators, these devices can be used with external components to obtain adjustable voltage and currents.

Table 1. Device summary

| Part numbers | |
|--------------|----------|
| L78M05AB | L78M12AB |
| L78M05AC | L78M12AC |
| L78M06AB | L78M15AB |
| L78M08AB | L78M24AB |
| L78M09AB | L78M24AC |
| L78M10AB | |

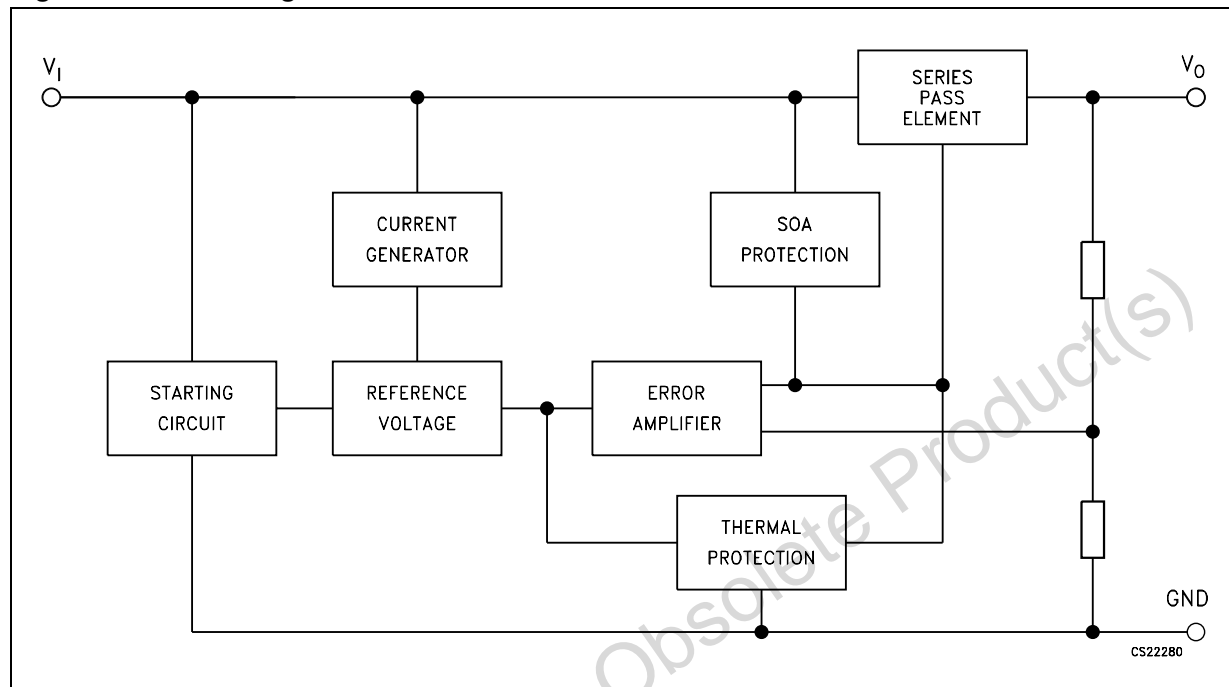
Contents

| | | |
|----|---|----|
| 1 | Diagram | 3 |
| 2 | Pin configuration | 4 |
| 3 | Maximum ratings | 5 |
| 4 | Test circuits | 6 |
| 5 | Electrical characteristics | 7 |
| 6 | Typical performance | 15 |
| 7 | Applications information | 17 |
| | 7.1 Design considerations | 17 |
| 8 | Package mechanical data | 19 |
| 9 | Order codes | 29 |
| 10 | Revision history | 30 |

Obsolete Product(s) - Obsolete Product(s)

1 Diagram

Figure 1. Block diagram



2 Pin configuration

Figure 2. Pin connections (top view)

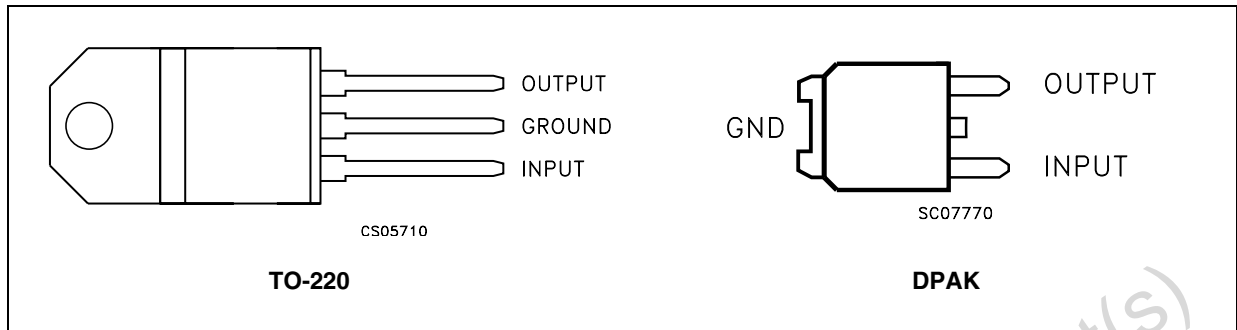
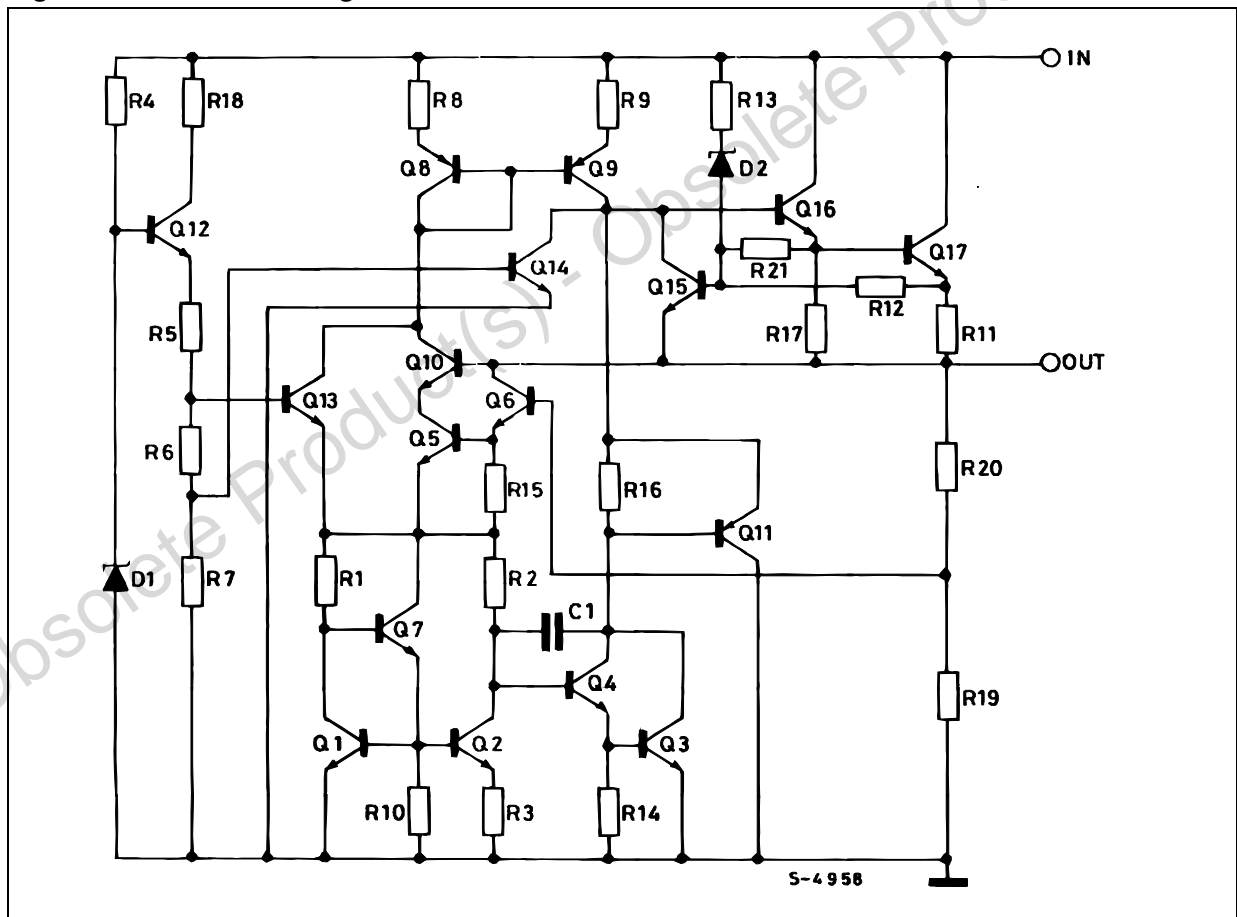


Figure 3. Schematic diagram



3 Maximum ratings

Table 2. Absolute maximum ratings

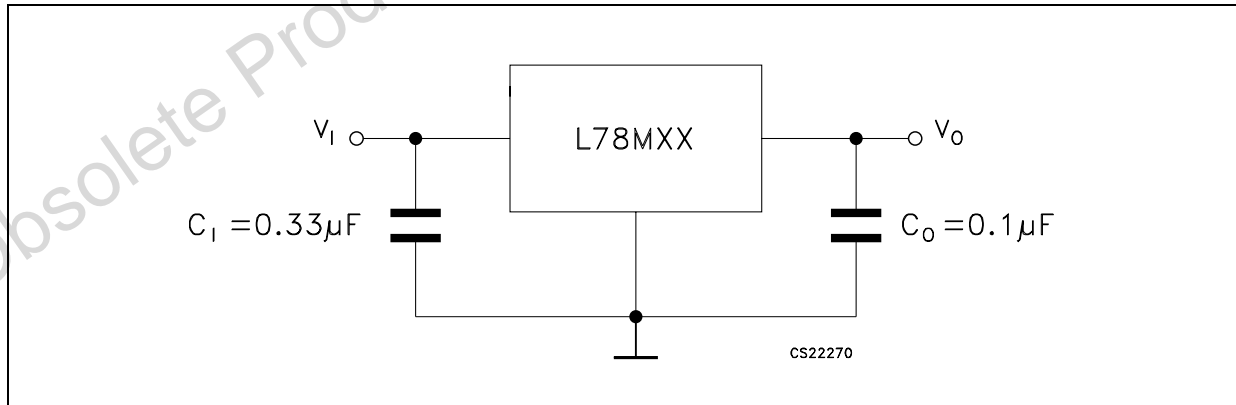
| Symbol | Parameter | | Value | Unit |
|-----------|--------------------------------------|-------------------------|--------------------|------|
| V_I | DC input voltage | for $V_O = 5$ to 18 V | 35 | V |
| | | for $V_O = 20, 24$ V | 40 | |
| I_O | Output current | | Internally limited | mA |
| P_D | Power dissipation | | Internally limited | mW |
| T_{STG} | Storage temperature range | | -65 to 150 | °C |
| T_{OP} | Operating junction temperature range | for L78M00AC | 0 to 125 | °C |
| | | for L78M00AB | -40 to 125 | |

Note: Absolute maximum ratings are those values beyond which damage to the device may occur. Functional operation under these condition is not implied.

Table 3. Thermal data

| Symbol | Parameter | TO-220 | DPAK | Unit |
|------------|-------------------------------------|--------|------|------|
| R_{thJC} | Thermal resistance junction-case | 5 | 8 | °C/W |
| R_{thJA} | Thermal resistance junction-ambient | 50 | 100 | °C/W |

Figure 4. Application circuit



4 Test circuits

Figure 5. DC parameter

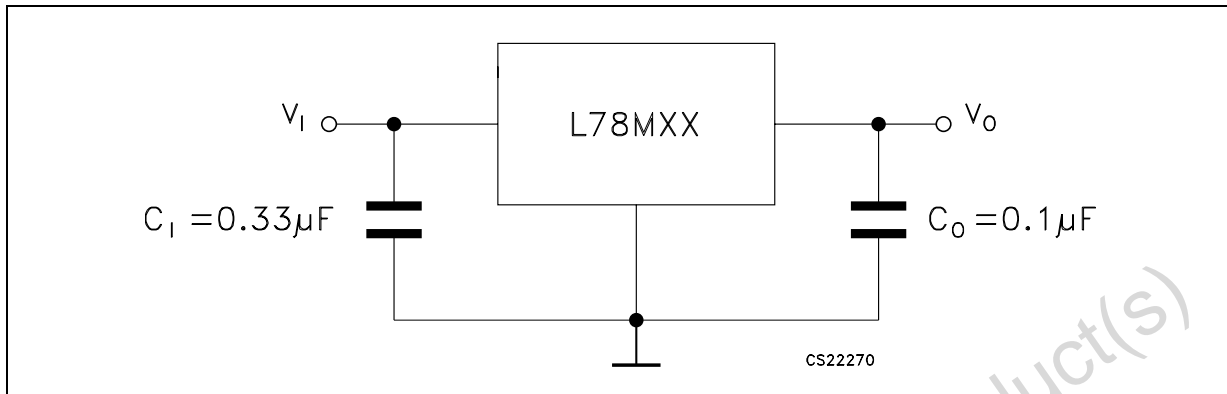


Figure 6. Load regulation

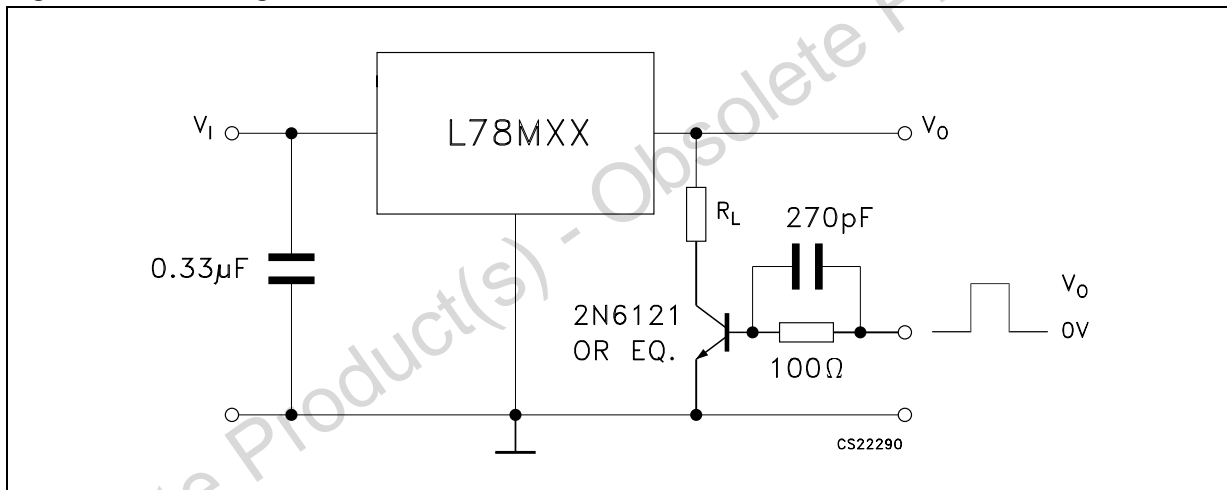
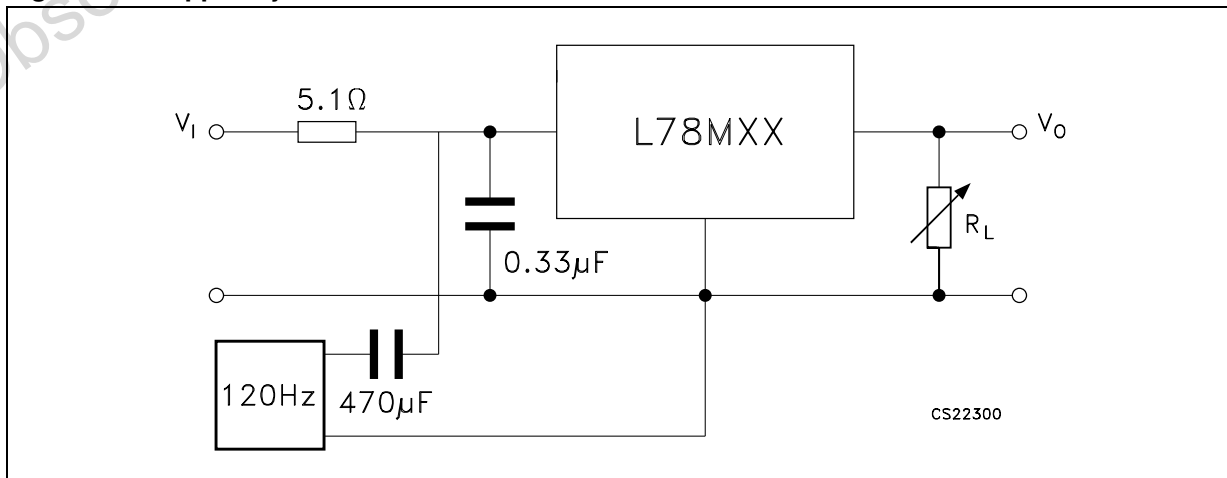


Figure 7. Ripple rejection



5 Electrical characteristics

Refer to the test circuits, $V_I = 10\text{ V}$, $I_O = 350\text{ mA}$, $C_I = 0.33\text{ }\mu\text{F}$, $C_O = 0.1\text{ }\mu\text{F}$,
 $T_J = -40\text{ to }125\text{ }^\circ\text{C}$ (AB), $T_J = 0\text{ to }125\text{ }^\circ\text{C}$ (AC) unless otherwise specified.

Table 4. Electrical characteristics of L78M05XX

| Symbol | Parameter | Test conditions | Min. | Typ. | Max. | Unit |
|-----------------------|----------------------------|---|------|------|------|----------------------|
| V_O | Output voltage | $T_J = 25^\circ\text{C}$ | 4.9 | 5 | 5.1 | V |
| V_O | Output voltage | $I_O = 5\text{ to }350\text{ mA}$, $V_I = 7\text{ to }20\text{ V}$ | 4.8 | 5 | 5.2 | V |
| ΔV_O | Line regulation | $V_I = 7\text{ to }25\text{ V}$, $I_O = 200\text{ mA}$, $T_J = 25^\circ\text{C}$ | | | 100 | mV |
| | | $V_I = 8\text{ to }25\text{ V}$, $I_O = 200\text{ mA}$, $T_J = 25^\circ\text{C}$ | | | 50 | |
| ΔV_O | Load regulation | $I_O = 5\text{ to }500\text{ mA}$, $T_J = 25^\circ\text{C}$ | | | 100 | mV |
| | | $I_O = 5\text{ to }200\text{ mA}$, $T_J = 25^\circ\text{C}$ | | | 50 | |
| I_d | Quiescent current | $T_J = 25^\circ\text{C}$ | | | 6 | mA |
| ΔI_d | Quiescent current change | $I_O = 5\text{ to }350\text{ mA}$ | | | 0.5 | mA |
| | | $I_O = 200\text{ mA}$, $V_I = 8\text{ to }25\text{ V}$ | | | 0.8 | |
| $\Delta V_O/\Delta T$ | Output voltage drift | $I_O = 5\text{ mA}$ | | -0.5 | | mV/ $^\circ\text{C}$ |
| SVR | Supply voltage rejection | $V_I = 8\text{ to }18\text{ V}$, $f = 120\text{ Hz}$, $I_O = 300\text{ mA}$, $T_J = 25^\circ\text{C}$ | 62 | | | dB |
| eN | Output noise voltage | $B = 10\text{ Hz to }100\text{ kHz}$, $T_J = 25^\circ\text{C}$ | | 40 | | μV |
| V_d | Dropout voltage | $T_J = 25^\circ\text{C}$ | | 2 | | V |
| I_{sc} | Short circuit current | $T_J = 25^\circ\text{C}$, $V_I = 35\text{ V}$ | | 300 | | mA |
| I_{scp} | Short circuit peak current | $T_J = 25^\circ\text{C}$ | | 700 | | mA |

Refer to the test circuits, $V_I = 11\text{ V}$, $I_O = 350\text{ mA}$, $C_I = 0.33\text{ }\mu\text{F}$, $C_O = 0.1\text{ }\mu\text{F}$,
 $T_J = -40\text{ to }125\text{ }^\circ\text{C}$ (AB), $T_J = 0\text{ to }125\text{ }^\circ\text{C}$ (AC) unless otherwise specified.

Table 5. Electrical characteristics of L78M06XX

| Symbol | Parameter | Test conditions | Min. | Typ. | Max. | Unit |
|-----------------------|----------------------------|---|------|------|------|----------------------|
| V_O | Output voltage | $T_J = 25^\circ\text{C}$ | 5.88 | 6 | 6.12 | V |
| V_O | Output voltage | $I_O = 5\text{ to }350\text{ mA}$, $V_I = 8\text{ to }21\text{ V}$ | 5.75 | 6 | 6.3 | V |
| ΔV_O | Line regulation | $V_I = 8\text{ to }25\text{ V}$, $I_O = 200\text{ mA}$, $T_J = 25^\circ\text{C}$ | | | 100 | mV |
| | | $V_I = 9\text{ to }25\text{ V}$, $I_O = 200\text{ mA}$, $T_J = 25^\circ\text{C}$ | | | 30 | |
| ΔV_O | Load regulation | $I_O = 5\text{ to }500\text{ mA}$, $T_J = 25^\circ\text{C}$ | | | 120 | mV |
| | | $I_O = 5\text{ to }200\text{ mA}$, $T_J = 25^\circ\text{C}$ | | | 60 | |
| I_d | Quiescent current | $T_J = 25^\circ\text{C}$ | | | 6 | mA |
| ΔI_d | Quiescent current change | $I_O = 5\text{ to }350\text{ mA}$ | | | 0.5 | mA |
| | | $I_O = 200\text{ mA}$, $V_I = 9\text{ to }25\text{ V}$ | | | 0.8 | |
| $\Delta V_O/\Delta T$ | Output voltage drift | $I_O = 5\text{ mA}$ | | -0.5 | | mV/ $^\circ\text{C}$ |
| SVR | Supply voltage rejection | $V_I = 9\text{ to }19\text{ V}$, $f = 120\text{ Hz}$, $I_O = 300\text{ mA}$, $T_J = 25^\circ\text{C}$ | 59 | | | dB |
| eN | Output noise voltage | $B = 10\text{ Hz to }100\text{ kHz}$ | | 45 | | μV |
| V_d | Dropout voltage | $T_J = 25^\circ\text{C}$ | | 2 | | V |
| I_{sc} | Short circuit current | $T_J = 25^\circ\text{C}$, $V_I = 35\text{ V}$ | | 270 | | mA |
| I_{scp} | Short circuit peak current | $T_J = 25^\circ\text{C}$ | | 700 | | mA |

Refer to the test circuits, $V_I = 14\text{ V}$, $I_O = 350\text{ mA}$, $C_I = 0.33\text{ }\mu\text{F}$, $C_O = 0.1\text{ }\mu\text{F}$, $T_J = -40\text{ to }125\text{ }^\circ\text{C}$ (AB), $T_J = 0\text{ to }125\text{ }^\circ\text{C}$ (AC) unless otherwise specified).

Table 6. Electrical characteristics of L78M08XX

| Symbol | Parameter | Test conditions | Min. | Typ. | Max. | Unit |
|-----------------------|----------------------------|--|------|------|------|----------------------|
| V_O | Output voltage | $T_J = 25^\circ\text{C}$ | 7.84 | 8 | 8.16 | V |
| V_O | Output voltage | $I_O = 5\text{ to }350\text{ mA}$, $V_I = 10.5\text{ to }23\text{ V}$ | 7.7 | 8 | 8.3 | V |
| ΔV_O | Line regulation | $V_I = 10.5\text{ to }25\text{ V}$, $I_O = 200\text{ mA}$, $T_J = 25^\circ\text{C}$ | | | 100 | mV |
| | | $V_I = 11\text{ to }25\text{ V}$, $I_O = 200\text{ mA}$, $T_J = 25^\circ\text{C}$ | | | 30 | |
| ΔV_O | Load regulation | $I_O = 5\text{ to }500\text{ mA}$, $T_J = 25^\circ\text{C}$ | | | 160 | mV |
| | | $I_O = 5\text{ to }200\text{ mA}$, $T_J = 25^\circ\text{C}$ | | | 80 | |
| I_d | Quiescent current | $T_J = 25^\circ\text{C}$ | | | 6 | mA |
| ΔI_d | Quiescent current change | $I_O = 5\text{ to }350\text{ mA}$ | | | 0.5 | mA |
| | | $I_O = 200\text{ mA}$, $V_I = 10.5\text{ to }25\text{ V}$ | | | 0.8 | |
| $\Delta V_O/\Delta T$ | Output voltage drift | $I_O = 5\text{ mA}$ | | -0.5 | | mV/ $^\circ\text{C}$ |
| SVR | Supply voltage rejection | $V_I = 11.5\text{ to }21.5\text{ V}$, $f = 120\text{ Hz}$ $I_O = 300\text{ mA}$, $T_J = 25^\circ\text{C}$ | 56 | | | dB |
| eN | Output noise voltage | $B = 10\text{ Hz to }100\text{ kHz}$, $T_J = 25^\circ\text{C}$ | | 52 | | μV |
| V_d | Dropout voltage | $T_J = 25^\circ\text{C}$ | | 2 | | V |
| I_{sc} | Short circuit current | $T_J = 25^\circ\text{C}$, $V_I = 35\text{ V}$ | | 250 | | mA |
| I_{scp} | Short circuit peak current | $T_J = 25^\circ\text{C}$ | | 700 | | mA |

Refer to the test circuits, $V_I = 15\text{ V}$, $I_O = 350\text{ mA}$, $C_I = 0.33\text{ }\mu\text{F}$, $C_O = 0.1\text{ }\mu\text{F}$,
 $T_J = -40\text{ to }125\text{ }^\circ\text{C}$ (AB), $T_J = 0\text{ to }125\text{ }^\circ\text{C}$ (AC) unless otherwise specified).

Table 7. Electrical characteristics of L78M09XX

| Symbol | Parameter | Test conditions | Min. | Typ. | Max. | Unit |
|-----------------------|----------------------------|--|------|------|------|----------------------|
| V_O | Output voltage | $T_J = 25^\circ\text{C}$ | 8.82 | 9 | 9.18 | V |
| V_O | Output voltage | $I_O = 5\text{ to }350\text{ mA}$, $V_I = 11.5\text{ to }24\text{ V}$ | 8.64 | 9 | 9.36 | V |
| ΔV_O | Line regulation | $V_I = 11.5\text{ to }25\text{ V}$, $I_O = 200\text{ mA}$, $T_J = 25^\circ\text{C}$ | | | 100 | mV |
| | | $V_I = 12\text{ to }25\text{ V}$, $I_O = 200\text{ mA}$, $T_J = 25^\circ\text{C}$ | | | 30 | |
| ΔV_O | Load regulation | $I_O = 5\text{ to }500\text{ mA}$, $T_J = 25^\circ\text{C}$ | | | 180 | mV |
| | | $I_O = 5\text{ to }200\text{ mA}$, $T_J = 25^\circ\text{C}$ | | | 90 | |
| I_d | Quiescent current | $T_J = 25^\circ\text{C}$ | | | 6 | mA |
| ΔI_d | Quiescent current change | $I_O = 5\text{ to }350\text{ mA}$ | | | 0.5 | mA |
| | | $I_O = 200\text{ mA}$, $V_I = 11.5\text{ to }25\text{ V}$ | | | 0.8 | |
| $\Delta V_O/\Delta T$ | Output voltage drift | $I_O = 5\text{ mA}$ | | -0.5 | | mV/ $^\circ\text{C}$ |
| SVR | Supply voltage rejection | $V_I = 12.5\text{ to }23\text{ V}$, $f = 120\text{ Hz}$, $I_O = 300\text{ mA}$, $T_J = 25^\circ\text{C}$ | 56 | | | dB |
| eN | Output noise voltage | $B = 10\text{ Hz to }100\text{ kHz}$, $T_J = 25^\circ\text{C}$ | | 52 | | μV |
| V_d | Dropout voltage | $T_J = 25^\circ\text{C}$ | | 2 | | V |
| I_{sc} | Short circuit current | $V_I = 35\text{ V}$, $T_J = 25^\circ\text{C}$ | | 250 | | mA |
| I_{scp} | Short circuit peak current | $T_J = 25^\circ\text{C}$ | | 700 | | mA |

Refer to the test circuits, $V_I = 16\text{ V}$, $I_O = 350\text{ mA}$, $C_I = 0.33\text{ }\mu\text{F}$, $C_O = 0.1\text{ }\mu\text{F}$,
 $T_J = -40\text{ to }125\text{ }^\circ\text{C}$ (AB), $T_J = 0\text{ to }125\text{ }^\circ\text{C}$ (AC) unless otherwise specified.

Table 8. Electrical characteristics of L78M10XX

| Symbol | Parameter | Test conditions | Min. | Typ. | Max. | Unit |
|-----------------------|----------------------------|--|------|------|------|----------------------|
| V_O | Output voltage | $T_J = 25^\circ\text{C}$ | 9.8 | 10 | 10.2 | V |
| V_O | Output voltage | $I_O = 5\text{ to }350\text{ mA}$, $V_I = 12.5\text{ to }25\text{ V}$ | 9.6 | 10 | 10.4 | V |
| ΔV_O | Line regulation | $V_I = 12.5\text{ to }30\text{ V}$, $I_O = 200\text{ mA}$, $T_J = 25^\circ\text{C}$ | | | 100 | mV |
| | | $V_I = 13\text{ to }30\text{ V}$, $I_O = 200\text{ mA}$, $T_J = 25^\circ\text{C}$ | | | 30 | |
| ΔV_O | Load regulation | $I_O = 5\text{ to }500\text{ mA}$, $T_J = 25^\circ\text{C}$ | | | 200 | mV |
| | | $I_O = 5\text{ to }200\text{ mA}$, $T_J = 25^\circ\text{C}$ | | | 100 | |
| I_d | Quiescent current | $T_J = 25^\circ\text{C}$ | | | 6 | mA |
| ΔI_d | Quiescent current change | $I_O = 5\text{ to }350\text{ mA}$ | | | 0.5 | mA |
| | | $I_O = 200\text{ mA}$, $V_I = 12.5\text{ to }30\text{ V}$ | | | 0.8 | |
| $\Delta V_O/\Delta T$ | Output voltage drift | $I_O = 5\text{ mA}$ | | -0.5 | | mV/ $^\circ\text{C}$ |
| SVR | Supply voltage rejection | $V_I = 13.5\text{ to }24\text{ V}$, $f = 120\text{ Hz}$, $I_O = 300\text{ mA}$, $T_J = 25^\circ\text{C}$ | 56 | | | dB |
| eN | Output noise voltage | $B = 10\text{ Hz to }100\text{ kHz}$, $T_J = 25^\circ\text{C}$ | | 64 | | μV |
| V_d | Dropout voltage | $T_J = 25^\circ\text{C}$ | | 2 | | V |
| I_{sc} | Short circuit current | $V_I = 35\text{ V}$, $T_J = 25^\circ\text{C}$ | | 245 | | mA |
| I_{scp} | Short circuit peak current | $T_J = 25^\circ\text{C}$ | | 700 | | mA |

Refer to the test circuits, $V_I = 19\text{ V}$, $I_O = 350\text{ mA}$, $C_I = 0.33\text{ }\mu\text{F}$, $C_O = 0.1\text{ }\mu\text{F}$,
 $T_J = -40\text{ to }125\text{ }^\circ\text{C}$ (AB), $T_J = 0\text{ to }125\text{ }^\circ\text{C}$ (AC) unless otherwise specified.

Table 9. Electrical characteristics of L78M12XX

| Symbol | Parameter | Test conditions | Min. | Typ. | Max. | Unit |
|-----------------------|----------------------------|--|-------|------|-------|---------------|
| V_O | Output voltage | $T_J = 25^\circ\text{C}$ | 11.75 | 12 | 12.25 | V |
| V_O | Output voltage | $I_O = 5\text{ to }350\text{ mA}$, $V_I = 14.5\text{ to }27\text{ V}$ | 11.5 | 12 | 12.5 | V |
| ΔV_O | Line regulation | $V_I = 14.5\text{ to }30\text{ V}$, $I_O = 200\text{ mA}$, $T_J = 25^\circ\text{C}$ | | | 100 | mV |
| | | $V_I = 16\text{ to }30\text{ V}$, $I_O = 200\text{ mA}$, $T_J = 25^\circ\text{C}$ | | | 30 | |
| ΔV_O | Load regulation | $I_O = 5\text{ to }500\text{ mA}$, $T_J = 25^\circ\text{C}$ | | | 240 | mV |
| | | $I_O = 5\text{ to }200\text{ mA}$, $T_J = 25^\circ\text{C}$ | | | 120 | |
| I_d | Quiescent current | $T_J = 25^\circ\text{C}$ | | | 6 | mA |
| ΔI_d | Quiescent current change | $I_O = 5\text{ to }350\text{ mA}$ | | | 0.5 | mA |
| | | $I_O = 200\text{ mA}$, $V_I = 14.5\text{ to }30\text{ V}$ | | | 0.8 | |
| $\Delta V_O/\Delta T$ | Output voltage drift | $I_O = 5\text{ mA}$ | | -1 | | mV/°C |
| SVR | Supply voltage rejection | $V_I = 15\text{ to }25\text{ V}$, $f = 120\text{ Hz}$, $I_O = 300\text{ mA}$, $T_J = 25^\circ\text{C}$ | 55 | | | dB |
| eN | Output noise voltage | $B = 10\text{ Hz to }100\text{ kHz}$, $T_J = 25^\circ\text{C}$ | | 75 | | μV |
| V_d | Dropout voltage | $T_J = 25^\circ\text{C}$ | | 2 | | V |
| I_{sc} | Short circuit current | $V_I = 35\text{ V}$, $T_J = 25^\circ\text{C}$ | | 240 | | mA |
| I_{scp} | Short circuit peak current | $T_J = 25^\circ\text{C}$ | | 700 | | mA |

Refer to the test circuits, $V_I = 23\text{ V}$, $I_O = 350\text{ mA}$, $C_I = 0.33\text{ }\mu\text{F}$, $C_O = 0.1\text{ }\mu\text{F}$,
 $T_J = -40\text{ to }125\text{ }^\circ\text{C}$ (AB), $T_J = 0\text{ to }125\text{ }^\circ\text{C}$ (AC) unless otherwise specified.

Table 10. Electrical characteristics of L78M15XX

| Symbol | Parameter | Test conditions | Min. | Typ. | Max. | Unit |
|-----------------------|----------------------------|--|------|------|------|---------------|
| V_O | Output voltage | $T_J = 25^\circ\text{C}$ | 14.7 | 15 | 15.3 | V |
| V_O | Output voltage | $I_O = 5\text{ to }350\text{ mA}$, $V_I = 17.5\text{ to }30\text{ V}$ | 14.4 | 15 | 15.6 | V |
| ΔV_O | Line regulation | $V_I = 17.5\text{ to }30\text{ V}$, $I_O = 200\text{ mA}$, $T_J = 25^\circ\text{C}$ | | | 100 | mV |
| | | $V_I = 20\text{ to }30\text{ V}$, $I_O = 200\text{ mA}$, $T_J = 25^\circ\text{C}$ | | | 30 | |
| ΔV_O | Load regulation | $I_O = 5\text{ to }500\text{ mA}$, $T_J = 25^\circ\text{C}$ | | | 300 | mV |
| | | $I_O = 5\text{ to }200\text{ mA}$, $T_J = 25^\circ\text{C}$ | | | 150 | |
| I_d | Quiescent current | $T_J = 25^\circ\text{C}$ | | | 6 | mA |
| ΔI_d | Quiescent current change | $I_O = 5\text{ to }350\text{ mA}$ | | | 0.5 | mA |
| | | $I_O = 200\text{ mA}$, $V_I = 17.5\text{ to }30\text{ V}$ | | | 0.8 | |
| $\Delta V_O/\Delta T$ | Output voltage drift | $I_O = 5\text{ mA}$ | | -1 | | mV/°C |
| SVR | Supply voltage rejection | $V_I = 18.5\text{ to }28.5\text{ V}$, $f = 120\text{ Hz}$, $I_O = 300\text{ mA}$, $T_J = 25^\circ\text{C}$ | 54 | | | dB |
| eN | Output noise voltage | $B = 10\text{ Hz to }100\text{ kHz}$, $T_J = 25^\circ\text{C}$ | | 90 | | μV |
| V_d | Dropout voltage | $T_J = 25^\circ\text{C}$ | | 2 | | V |
| I_{sc} | Short circuit current | $V_I = 35\text{ V}$, $T_J = 25^\circ\text{C}$ | | 240 | | mA |
| I_{scp} | Short circuit peak current | $T_J = 25^\circ\text{C}$ | | 700 | | mA |

Refer to the test circuits, $V_I = 33\text{ V}$, $I_O = 350\text{ mA}$, $C_I = 0.33\text{ }\mu\text{F}$, $C_O = 0.1\text{ }\mu\text{F}$, $T_J = -40\text{ to }125\text{ }^\circ\text{C}$ (AB), $T_J = 0\text{ to }125\text{ }^\circ\text{C}$ (AC) unless otherwise specified.

Table 11. Electrical characteristics of L78M24XX

| Symbol | Parameter | Test conditions | Min. | Typ. | Max. | Unit |
|-----------------------|----------------------------|---|------|------|------|----------------------|
| V_O | Output voltage | $T_J = 25^\circ\text{C}$ | 23.5 | 24 | 24.5 | V |
| V_O | Output voltage | $I_O = 5\text{ to }350\text{ mA}$, $V_I = 27\text{ to }38\text{ V}$ | 23 | 24 | 25 | V |
| ΔV_O | Line regulation | $V_I = 27\text{ to }38\text{ V}$, $I_O = 200\text{ mA}$, $T_J = 25^\circ\text{C}$ | | | 100 | mV |
| | | $V_I = 28\text{ to }38\text{ V}$, $I_O = 200\text{ mA}$, $T_J = 25^\circ\text{C}$ | | | 30 | |
| ΔV_O | Load regulation | $I_O = 5\text{ to }500\text{ mA}$, $T_J = 25^\circ\text{C}$ | | | 480 | mV |
| | | $I_O = 5\text{ to }200\text{ mA}$, $T_J = 25^\circ\text{C}$ | | | 240 | |
| I_d | Quiescent current | $T_J = 25^\circ\text{C}$ | | | 6 | mA |
| ΔI_d | Quiescent current change | $I_O = 5\text{ to }350\text{ mA}$ | | | 0.5 | mA |
| | | $I_O = 200\text{ mA}$, $V_I = 27\text{ to }38\text{ V}$ | | | 0.8 | |
| $\Delta V_O/\Delta T$ | Output voltage drift | $I_O = 5\text{ mA}$ | | -1.2 | | mV/ $^\circ\text{C}$ |
| SVR | Supply voltage rejection | $V_I = 28\text{ to }38\text{ V}$, $f = 120\text{ Hz}$, $I_O = 300\text{ mA}$, $T_J = 25^\circ\text{C}$ | 50 | | | dB |
| eN | Output noise voltage | $B = 10\text{ Hz to }100\text{ kHz}$, $T_J = 25^\circ\text{C}$ | | 170 | | μV |
| V_d | Dropout voltage | $T_J = 25^\circ\text{C}$ | | 2 | | V |
| I_{sc} | Short circuit current | $V_I = 35\text{ V}$, $T_J = 25^\circ\text{C}$ | | 240 | | mA |
| I_{scp} | Short circuit peak current | $T_J = 25^\circ\text{C}$ | | 700 | | mA |

6 Typical performance

Figure 8. Dropout voltage vs. junction temp. **Figure 9. Dropout characteristics**

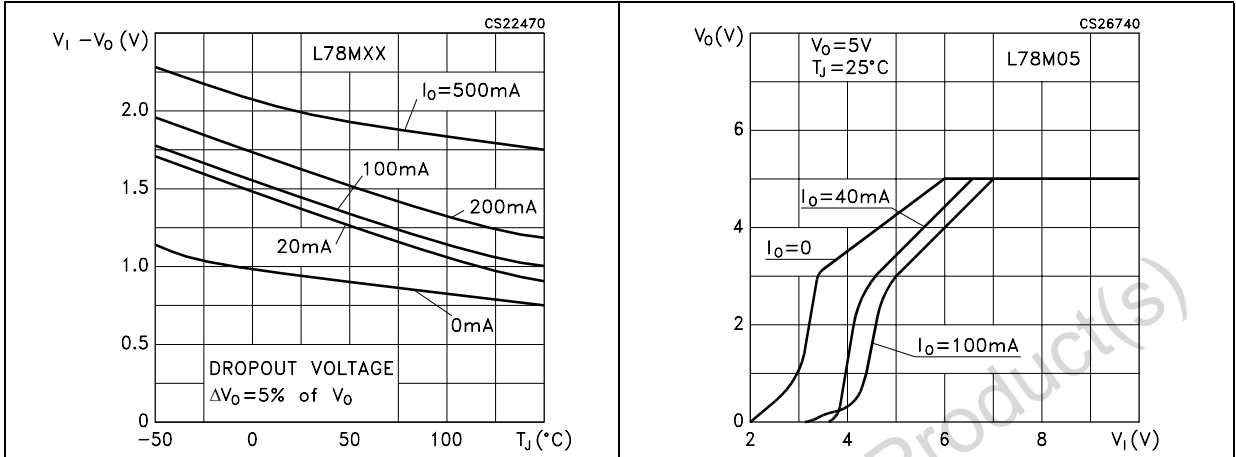


Figure 10. Peak output current vs. input-output differential voltage

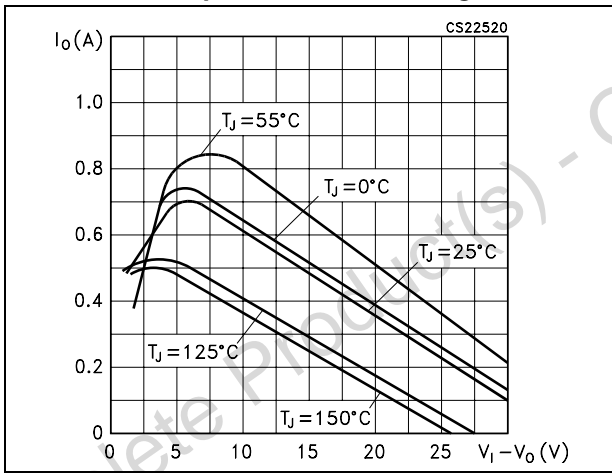


Figure 11. Output voltage vs. junction temperature

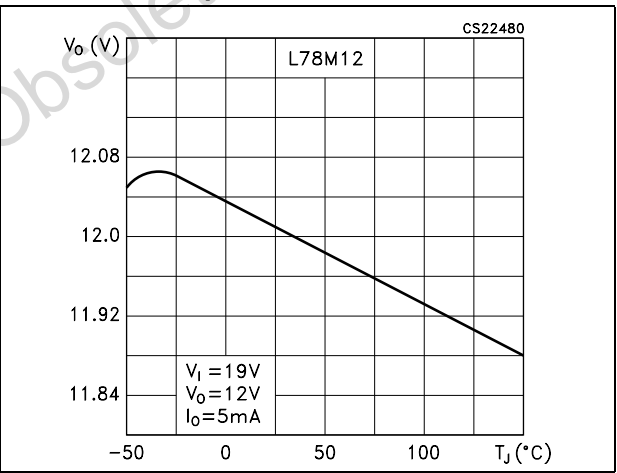


Figure 12. Supply voltage rejection vs. frequency

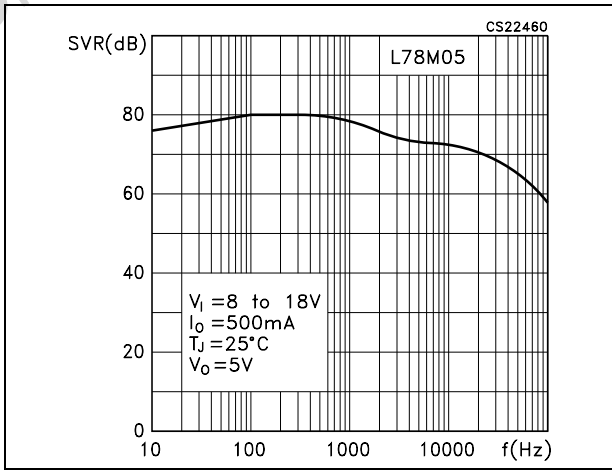


Figure 13. Quiescent current vs. junction temperature

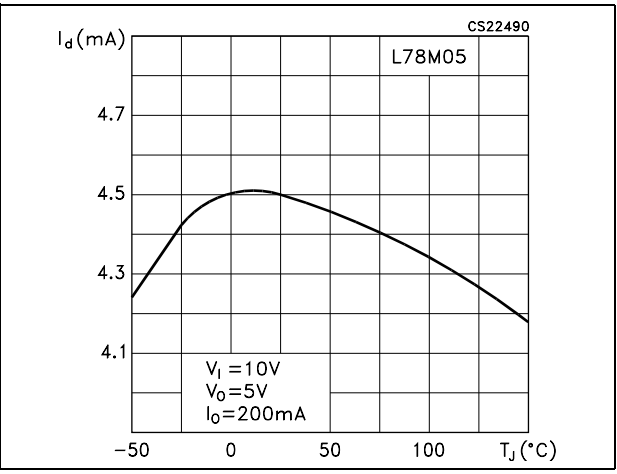


Figure 14. Load transient response

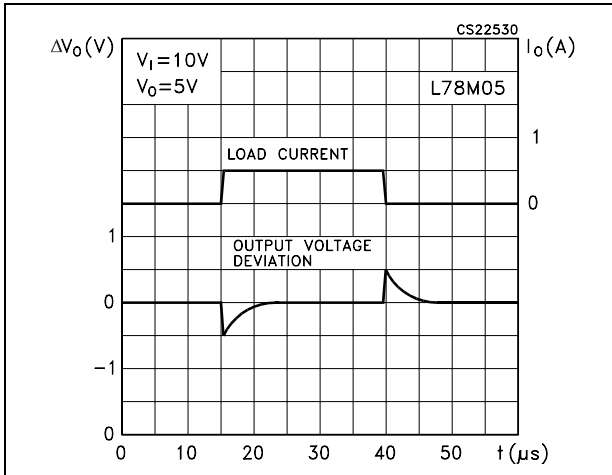


Figure 15. Line transient response

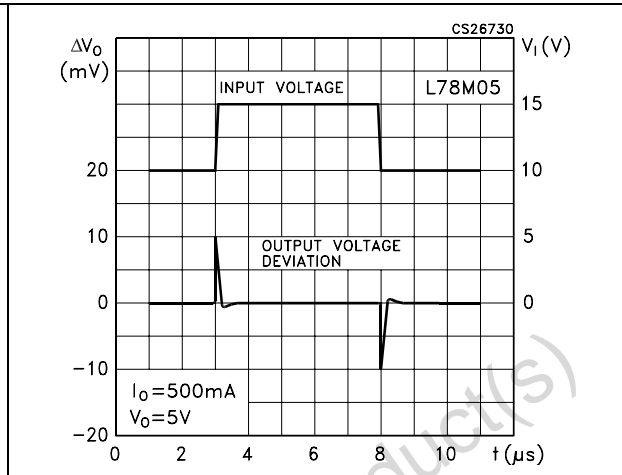
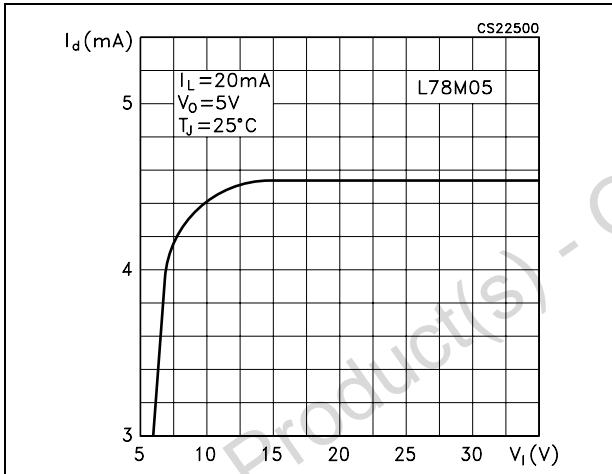


Figure 16. Quiescent current vs. input voltage



7 Applications information

7.1 Design considerations

The L78MxxA series of fixed voltage regulators are designed with thermal overload protection that shuts down the circuit when subjected to an excessive power overload condition, internal short-circuit protection that limits the maximum current the circuit will pass, and output transistor safe-area compensation that reduces the output short-circuit as the voltage across the pass transistor is increased. In many low current applications, compensation capacitors are not required. However, it is recommended that the regulator input be bypassed with a capacitor if the regulator is connected to the power supply filter with long wire lengths, or if the output load capacitance is large. An input bypass capacitor should be selected to provide good high-frequency characteristics to insure stable operation under all load conditions. A 0.33 μF or larger tantalum, mylar, or other capacitor having low internal impedance at high frequencies should be chosen. The bypass capacitor should be mounted with the shortest possible leads directly across the regulators input terminals. Normally good construction techniques should be used to minimize ground loops and lead resistance drops since the regulator has no external sense lead.

Figure 17. Current regulator

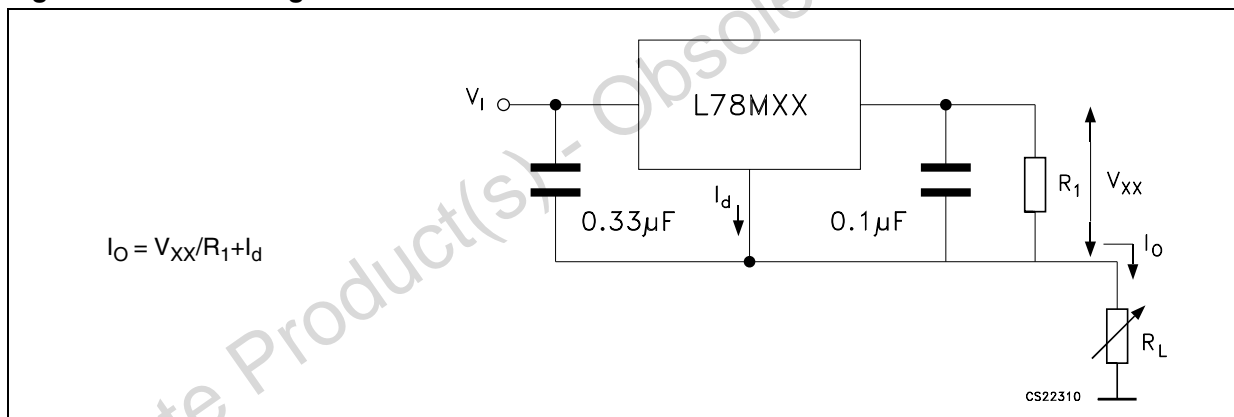


Figure 18. Adjustable output regulator

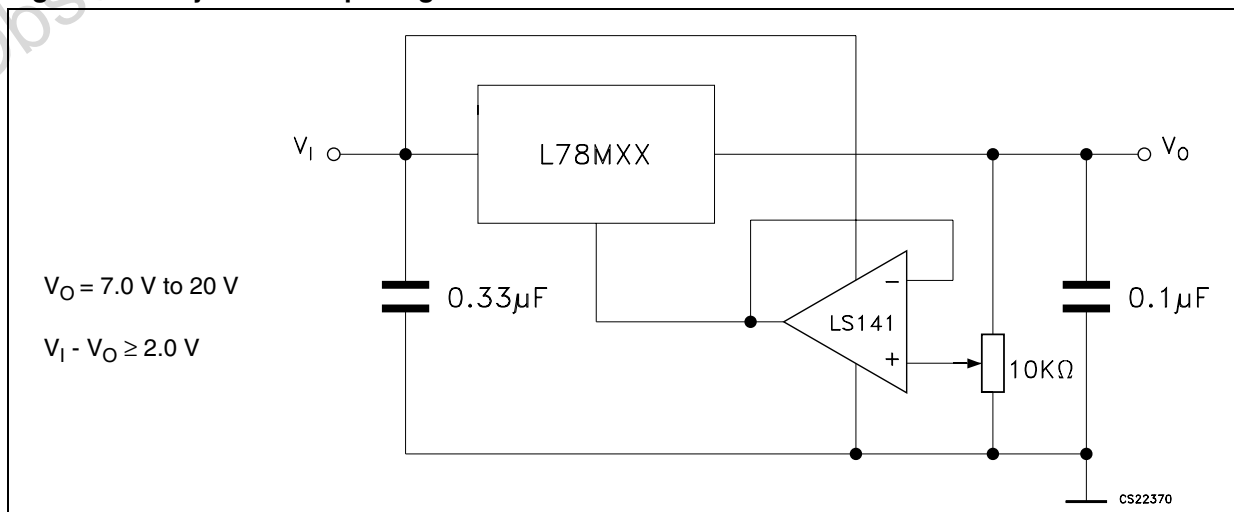


Figure 19. Current boost regulator

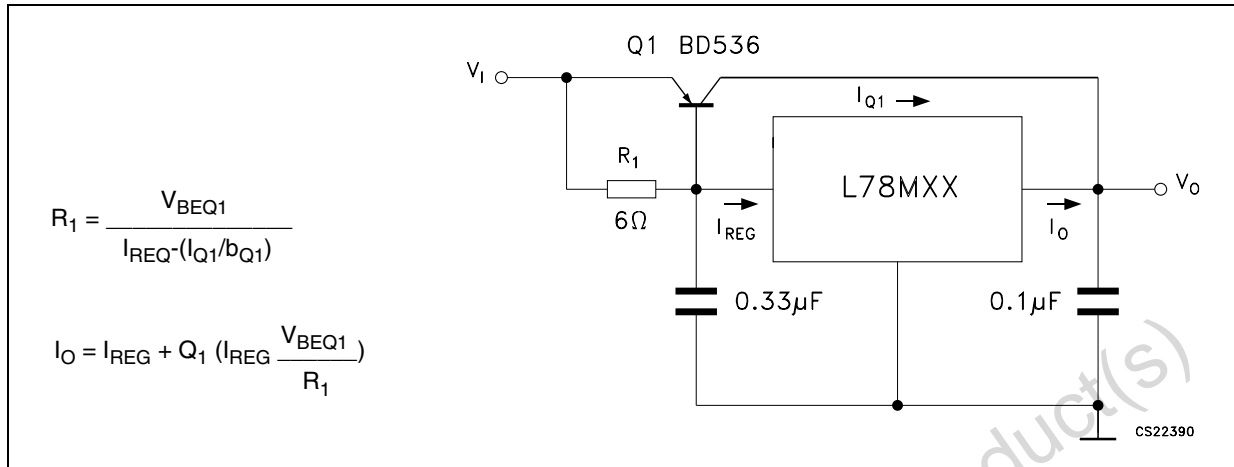
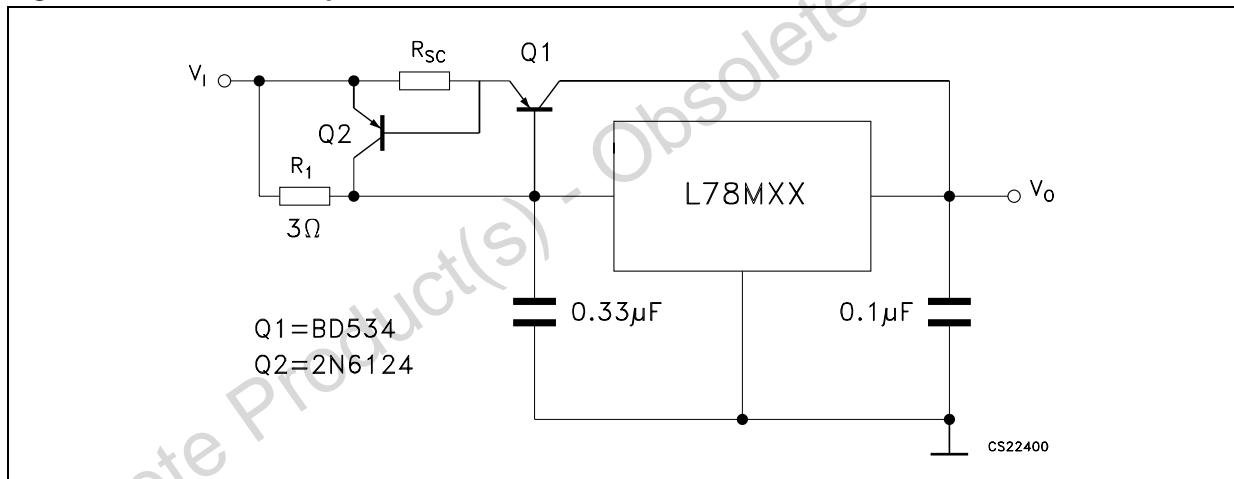


Figure 20. Short-circuit protection



Note: The circuit of [Figure 19](#) can be modified to provide supply protection against short-circuits by adding a short-circuit sense resistor, R_{sc} , and an additional PNP transistor. The current sensing PNP must be able to handle the short-circuit current of the three-terminal regulator. Therefore, a four ampere plastic power transistor is specified.

8 Package mechanical data

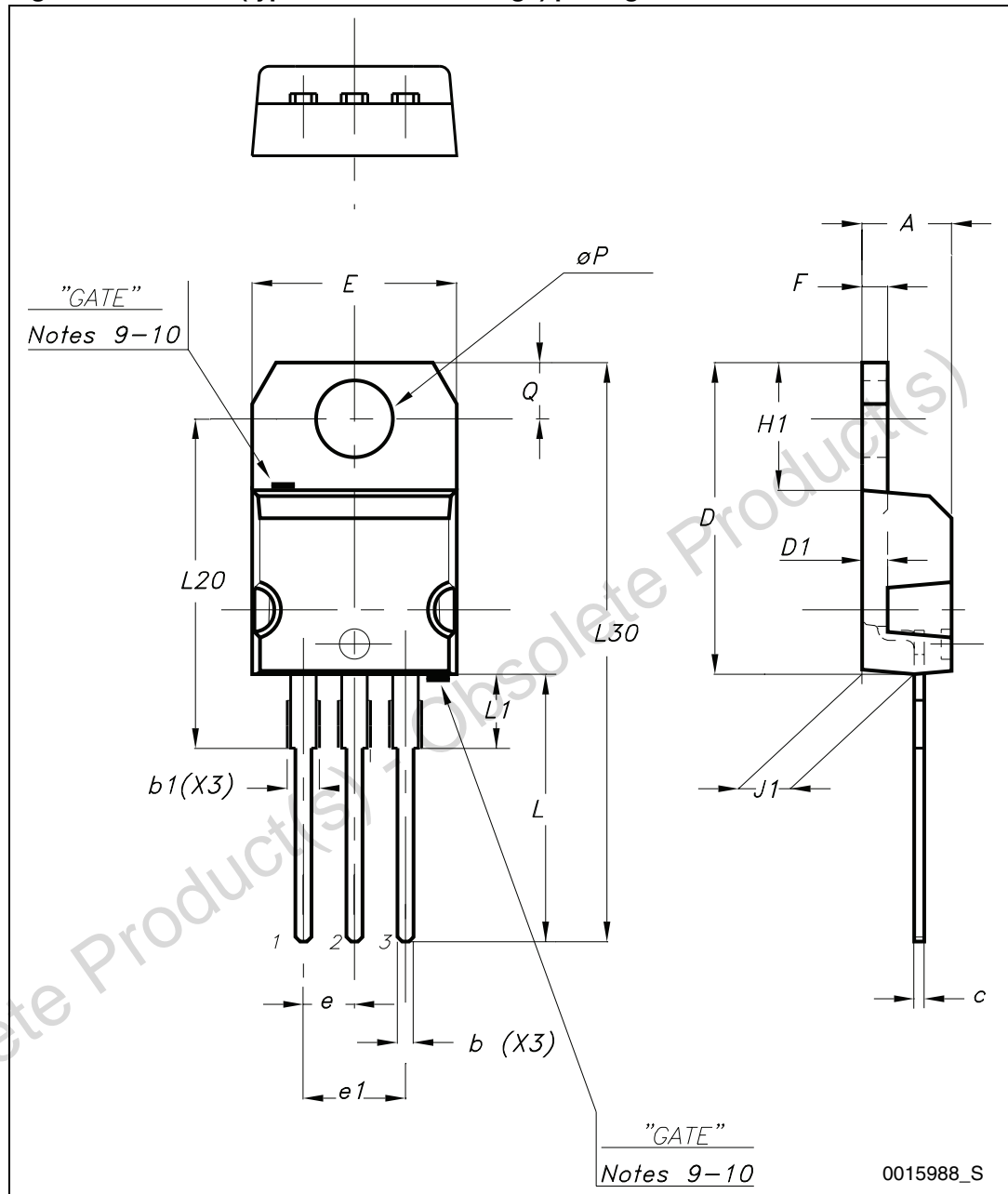
In order to meet environmental requirements, ST offers these devices in different grades of ECOPACK® packages, depending on their level of environmental compliance. ECOPACK® specifications, grade definitions and product status are available at: www.st.com. ECOPACK is an ST trademark.

Table 12. TO-220 mechanical data

| Dim. | Type STD - ST Dual Gauge | | | Type STD - ST Single Gauge | | |
|------|--------------------------|-------|-------|----------------------------|-------|-------|
| | mm. | | | mm. | | |
| | Min. | Typ. | Max. | Min. | Typ. | Max. |
| A | 4.40 | | 4.60 | 4.40 | | 4.60 |
| b | 0.61 | | 0.88 | 0.61 | | 0.88 |
| b1 | 1.14 | | 1.70 | 1.14 | | 1.70 |
| c | 0.48 | | 0.70 | 0.48 | | 0.70 |
| D | 15.25 | | 15.75 | 15.25 | | 15.75 |
| D1 | | 1.27 | | | | |
| E | 10.00 | | 10.40 | 10.00 | | 10.40 |
| e | 2.40 | | 2.70 | 2.40 | | 2.70 |
| e1 | 4.95 | | 5.15 | 4.95 | | 5.15 |
| F | 1.23 | | 1.32 | 0.51 | | 0.60 |
| H1 | 6.20 | | 6.60 | 6.20 | | 6.60 |
| J1 | 2.40 | | 2.72 | 2.40 | | 2.72 |
| L | 13.00 | | 14.00 | 13.00 | | 14.00 |
| L1 | 3.50 | | 3.93 | 3.50 | | 3.93 |
| L20 | | 16.40 | | | 16.40 | |
| L30 | | 28.90 | | | 28.90 | |
| ∅P | 3.75 | | 3.85 | 3.75 | | 3.85 |
| Q | 2.65 | | 2.95 | 2.65 | | 2.95 |

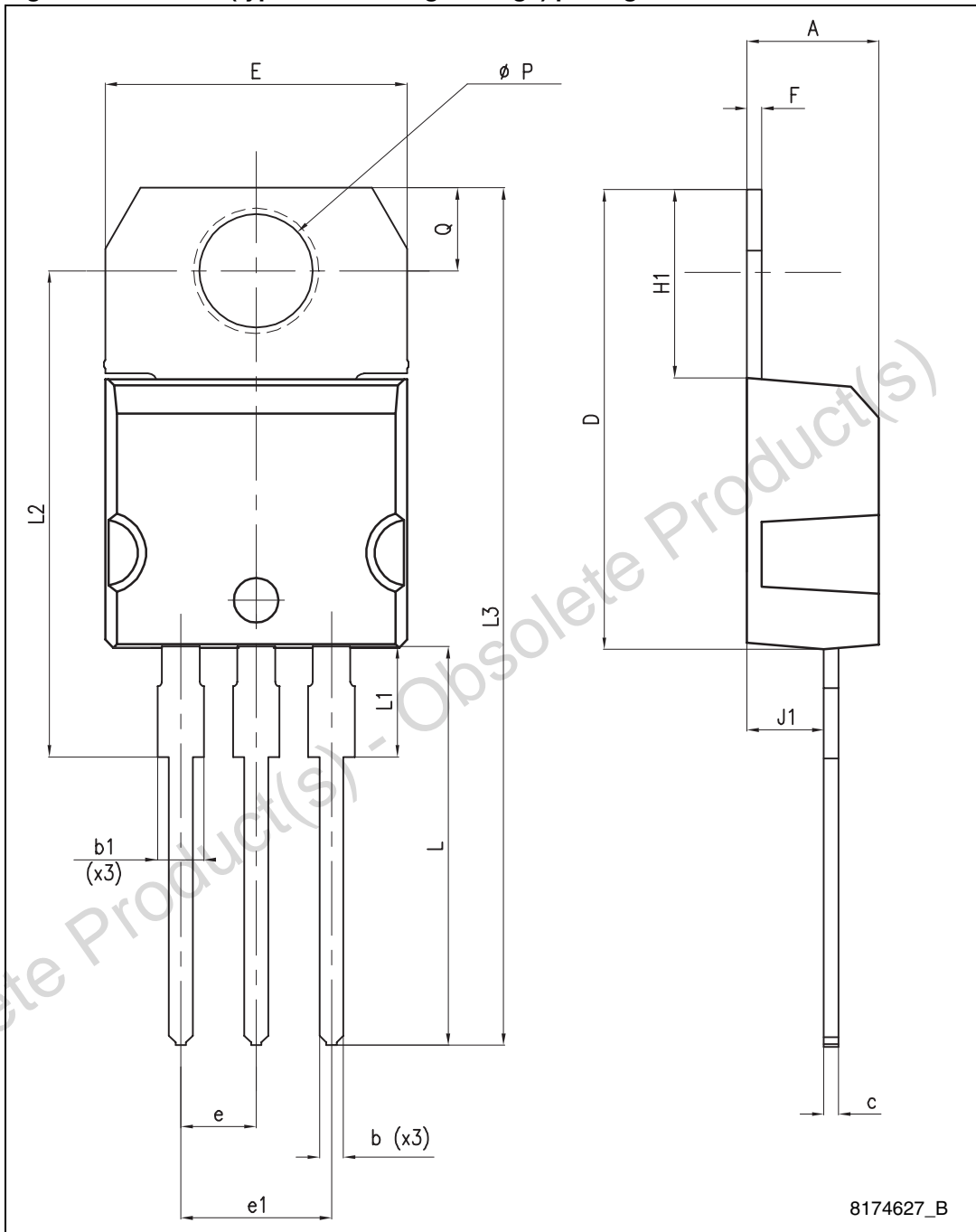
Note: In spite of some difference in tolerances, the packages are compatible.

Figure 21. TO-220 (type STD-ST Dual Gauge) package dimensions



- Note: 1 Maximum resin gate protrusion: 0.5 mm.
 2 Resin gate position is accepted in each of the two positions shown on the drawing, or their symmetrical.

Figure 22. TO-220 (type STD-ST Single Gauge) package dimensions



8174627_B

Figure 23. TO-220 Dual Gauge (mm.) tube dimensions

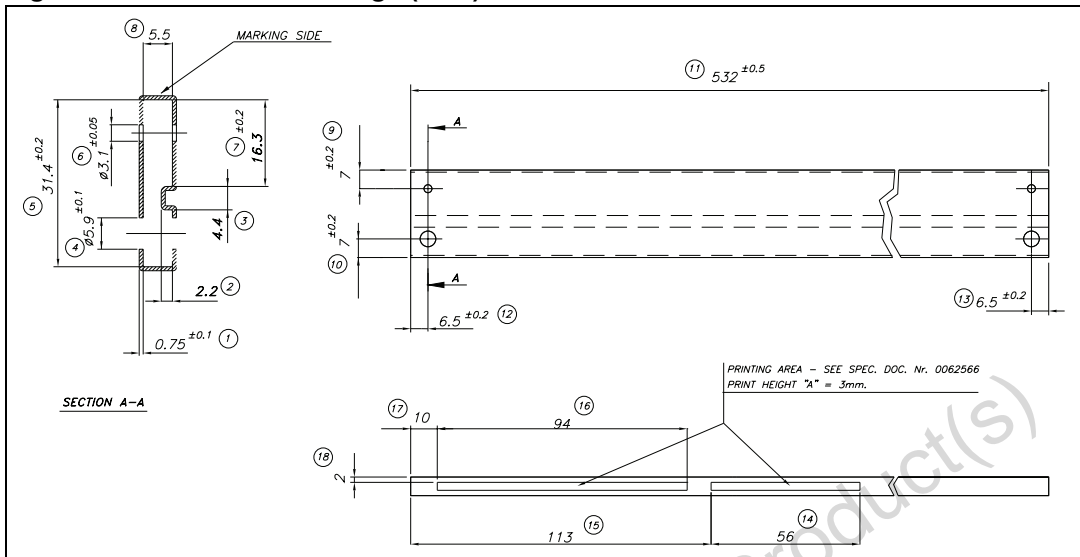


Figure 24. Tube for TO-220 Single Gauge (mm.) tube dimensions

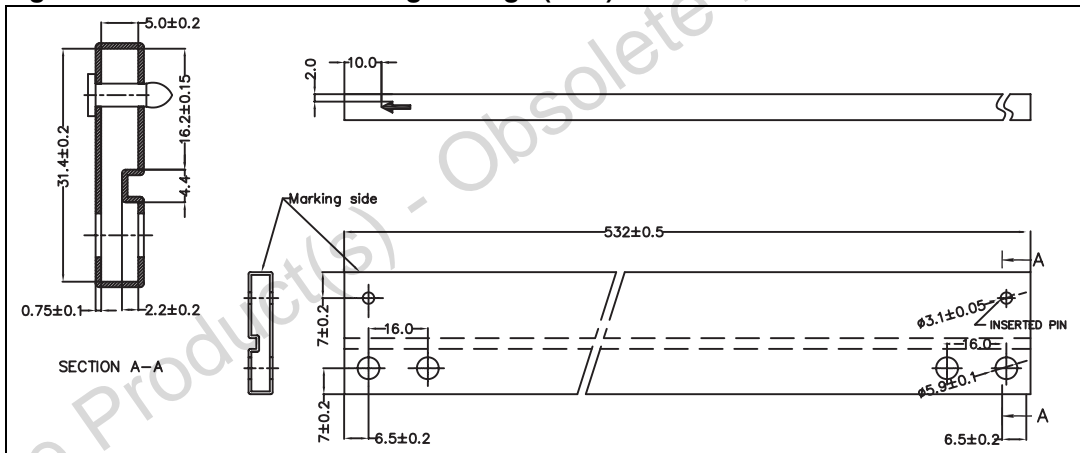


Figure 25. DPAK type STD-ST package dimensions

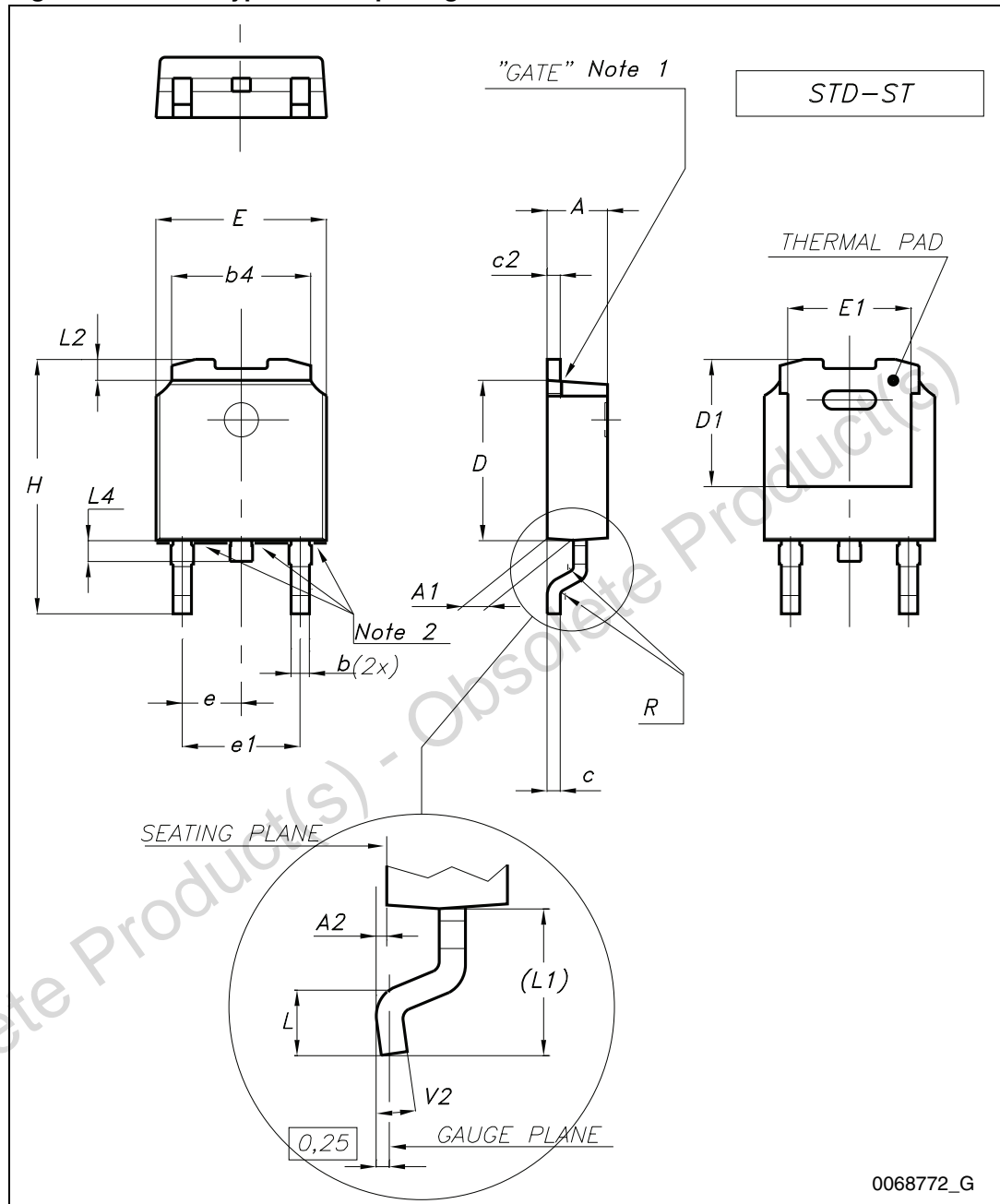


Figure 26. DPAK type FUJITSU-subcon package dimensions

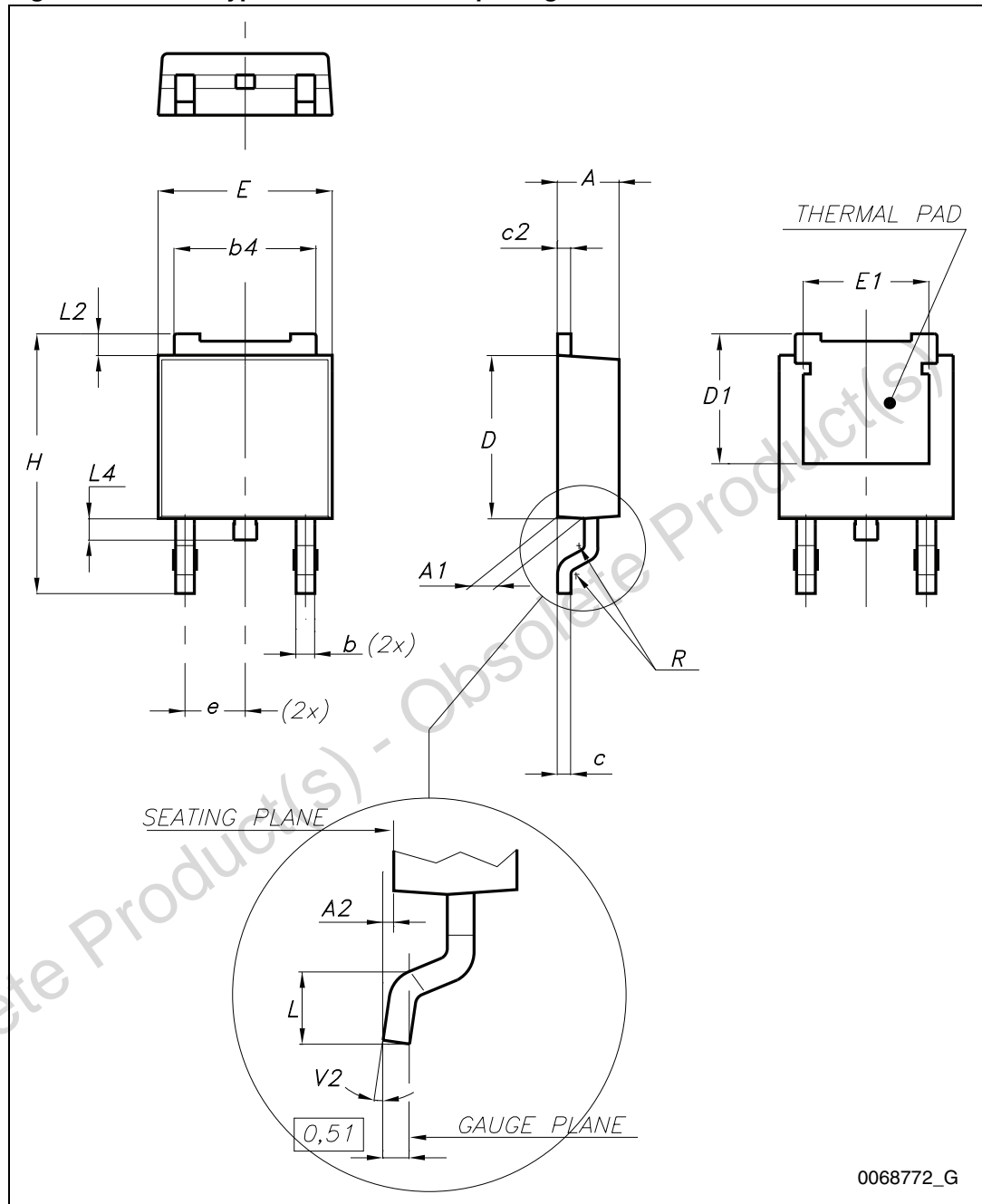


Figure 27. DPAK type IDS-subcon package dimensions

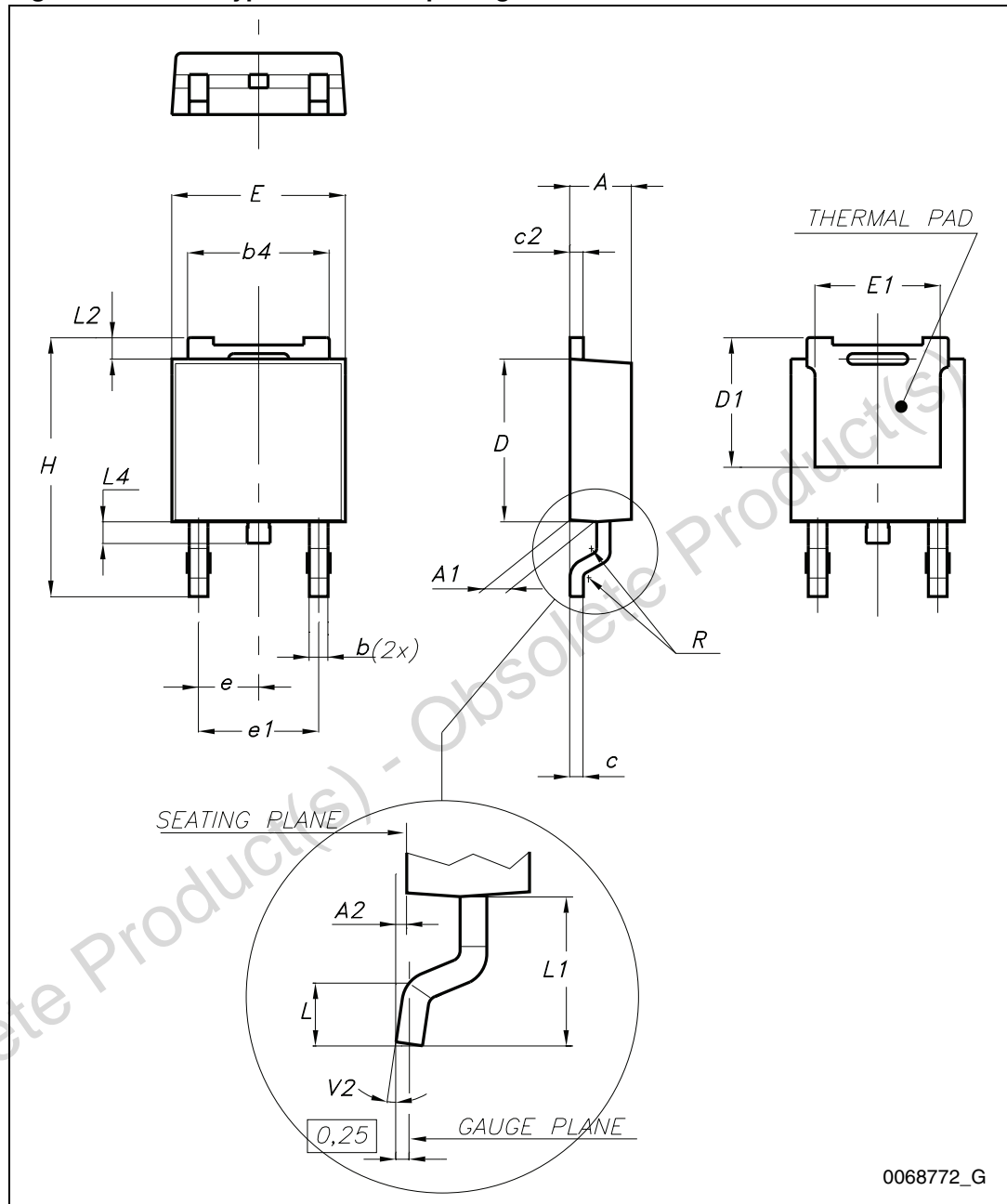


Table 13. DPAK mechanical data

| Dim. | Type STD-ST | | | Type Fujitsu-subcon. | | | Type IDS-subcon. | | |
|------|-------------|------|-------|----------------------|------|-------|------------------|------|-------|
| | mm. | | | mm. | | | mm. | | |
| | Min. | Typ. | Max. | Min. | Typ. | Max. | Min. | Typ. | Max. |
| A | 2.20 | | 2.40 | 2.25 | 2.30 | 2.35 | 2.19 | | 2.38 |
| A1 | 0.90 | | 1.10 | 0.96 | | 1.06 | 0.89 | | 1.14 |
| A2 | 0.03 | | 0.23 | 0 | | 0.10 | 0.03 | | 0.23 |
| b | 0.64 | | 0.90 | 0.76 | | 0.86 | 0.64 | | 0.88 |
| b4 | 5.20 | | 5.40 | 5.28 | | 5.38 | 5.21 | | 5.46 |
| c | 0.45 | | 0.60 | 0.46 | | 0.56 | 0.46 | | 0.58 |
| c2 | 0.48 | | 0.60 | 0.46 | | 0.56 | 0.46 | | 0.58 |
| D | 6.00 | | 6.20 | 6.05 | | 6.15 | 5.97 | | 6.22 |
| D1 | | 5.10 | | 5.27 | | 5.47 | | 5.20 | |
| E | 6.40 | | 6.60 | 6.55 | 6.60 | 6.65 | 6.35 | | 6.73 |
| E1 | | 4.70 | | | 4.77 | | | 4.70 | |
| e | | 2.28 | | 2.23 | 2.28 | 2.33 | | 2.28 | |
| e1 | 4.40 | | 4.60 | | | | 4.51 | | 4.61 |
| H | 9.35 | | 10.10 | 9.90 | | 10.30 | 9.40 | | 10.42 |
| L | 1.00 | | | 1.40 | | 1.60 | 0.90 | | |
| L1 | | 2.80 | | | | | 2.50 | | 2.65 |
| L2 | | 0.80 | | 1.03 | | 1.13 | 0.89 | | 1.27 |
| L4 | 0.60 | | 1.00 | 0.70 | | 0.90 | 0.64 | | 1.02 |
| R | | 0.20 | | | 0.40 | | | 0.20 | |
| V2 | 0° | | 8° | 0° | | 8° | 0° | | 8° |

Note: The DPAK package coming from the two subcontractors (Fujitsu and IDS) are fully compatible with the ST's package suggested footprint.

Figure 28. DPAK footprint recommended data

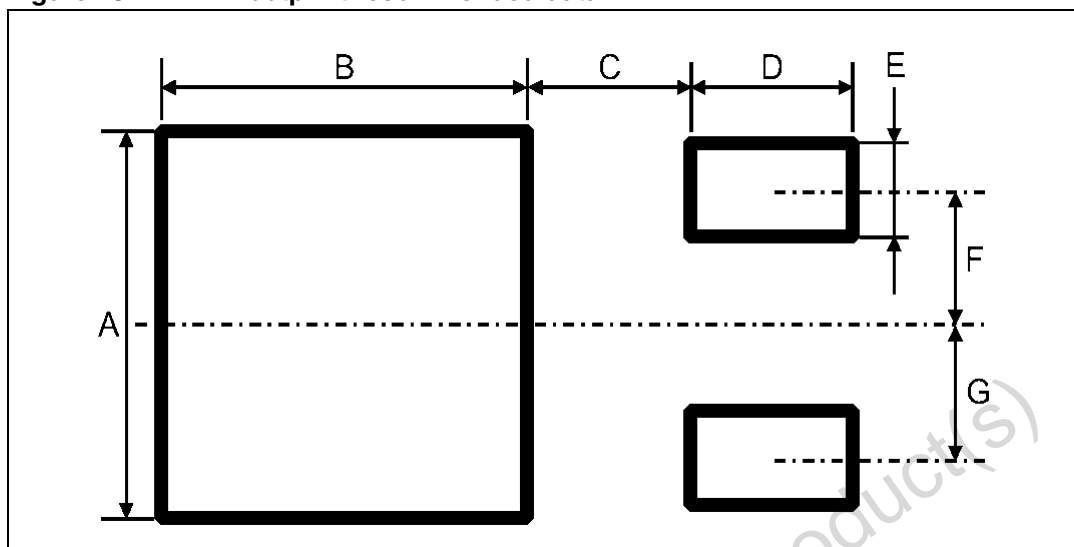
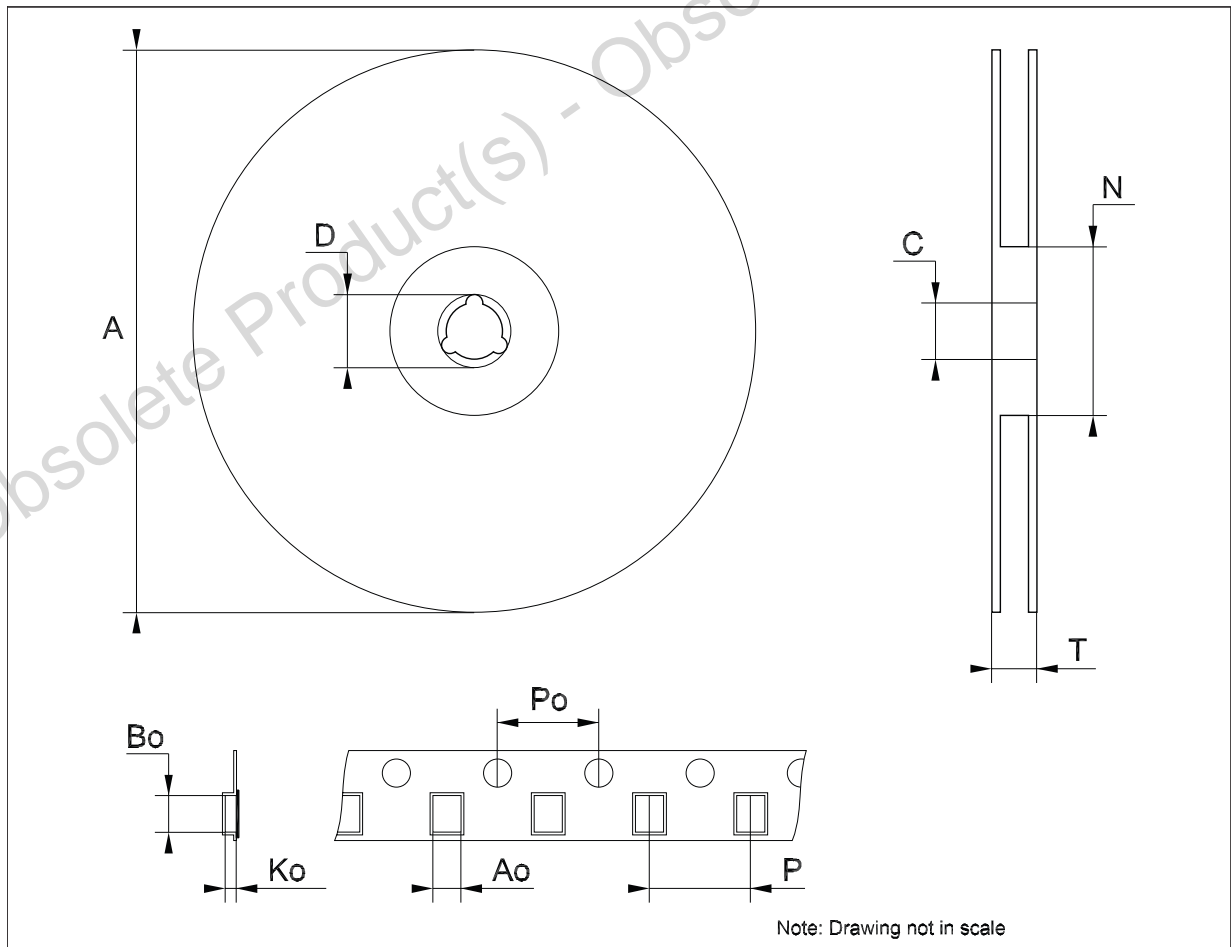


Table 14. Footprint data

| Dim. | Values | |
|------|--------|-------|
| | mm. | inch. |
| A | 6.70 | 0.264 |
| B | 6.70 | 0.64 |
| C | 1.8 | 0.070 |
| D | 3.0 | 0.118 |
| E | 1.60 | 0.063 |
| F | 2.30 | 0.091 |
| G | 2.30 | 0.091 |

Tape & reel DPAK-PPAK mechanical data

| Dim. | mm. | | | inch. | | |
|------|-------|-------|-------|-------|-------|--------|
| | Min. | Typ. | Max. | Min. | Typ. | Max. |
| A | | | 330 | | | 12.992 |
| C | 12.8 | 13.0 | 13.2 | 0.504 | 0.512 | 0.519 |
| D | 20.2 | | | 0.795 | | |
| N | 60 | | | 2.362 | | |
| T | | | 22.4 | | | 0.882 |
| Ao | 6.80 | 6.90 | 7.00 | 0.268 | 0.272 | 0.276 |
| Bo | 10.40 | 10.50 | 10.60 | 0.409 | 0.413 | 0.417 |
| Ko | 2.55 | 2.65 | 2.75 | 0.100 | 0.104 | 0.105 |
| Po | 3.9 | 4.0 | 4.1 | 0.153 | 0.157 | 0.161 |
| P | 7.9 | 8.0 | 8.1 | 0.311 | 0.315 | 0.319 |



9 Order codes

Table 15. Order codes

| Part numbers | Packaging | | |
|--------------|-----------------------------|---------------|-----------------|
| | TO-220 | DPAK | Output voltages |
| L78M05AB | L78M05ABV | L78M05ABDT-TR | 5 V |
| | L78M05ABV-DG ⁽¹⁾ | | 5 V |
| L78M05AC | | L78M05ACDT-TR | 5 V |
| L78M06AB | | L78M06ABDT-TR | 6 V |
| L78M08AB | | L78M08ABDT-TR | 8 V |
| L78M09AB | | L78M09ABDT-TR | 9 V |
| L78M10AB | | L78M10ABDT-TR | 10 V |
| L78M12AB | L78M12ABV | L78M12ABDT-TR | 12 V |
| L78M12AC | | L78M12ACDT-TR | 12 V |
| L78M15AB | L78M15ABV | L78M15ABDT-TR | 15 V |
| | L78M15ABV-DG ⁽¹⁾ | | 15 V |
| L78M24AB | | L78M24ABDT-TR | 24 V |
| L78M24AC | | L78M24ACDT-TR | 24 V |

1. TO-220 Dual Gauge frame

10 Revision history

Table 16. Document revision history

| Date | Revision | Changes |
|-------------|----------|---|
| 30-Aug-2006 | 3 | Order codes updated. |
| 05-Oct-2006 | 4 | DPAK mechanical data updated and add footprint data. |
| 10-Dec-2007 | 5 | Modified: Table 15 . |
| 20-Feb-2008 | 6 | Modified: Table 15 on page 29 . |
| 15-Jul-2008 | 7 | Modified: Table 15 on page 29 . |
| 15-Apr-2009 | 8 | Modified: Figure 9 on page 15 and Figure 15 on page 16 . |
| 28-Jul-2009 | 9 | Modified: Table 15 on page 29 . |
| 11-Nov-2010 | 10 | Modified: R_{thJC} value for TO-220 Table 3 on page 5 . |
| 09-Feb-2012 | 11 | Added: order code L78M15ABV-DG Table 15 on page 29 . |
| 09-Mar-2012 | 12 | Added: order code L78M05ABV-DG Table 15 on page 29 . |
| 31-May-2012 | 13 | Added: Table 12 on page 19 , Figure 21 on page 20 , Figure 22 on page 21 , Figure 23 and Figure 24 on page 22 . |

Please Read Carefully:

Information in this document is provided solely in connection with ST products. STMicroelectronics NV and its subsidiaries ("ST") reserve the right to make changes, corrections, modifications or improvements, to this document, and the products and services described herein at any time, without notice.

All ST products are sold pursuant to ST's terms and conditions of sale.

Purchasers are solely responsible for the choice, selection and use of the ST products and services described herein, and ST assumes no liability whatsoever relating to the choice, selection or use of the ST products and services described herein.

No license, express or implied, by estoppel or otherwise, to any intellectual property rights is granted under this document. If any part of this document refers to any third party products or services it shall not be deemed a license grant by ST for the use of such third party products or services, or any intellectual property contained therein or considered as a warranty covering the use in any manner whatsoever of such third party products or services or any intellectual property contained therein.

UNLESS OTHERWISE SET FORTH IN ST'S TERMS AND CONDITIONS OF SALE ST DISCLAIMS ANY EXPRESS OR IMPLIED WARRANTY WITH RESPECT TO THE USE AND/OR SALE OF ST PRODUCTS INCLUDING WITHOUT LIMITATION IMPLIED WARRANTIES OF MERCHANTABILITY, FITNESS FOR A PARTICULAR PURPOSE (AND THEIR EQUIVALENTS UNDER THE LAWS OF ANY JURISDICTION), OR INFRINGEMENT OF ANY PATENT, COPYRIGHT OR OTHER INTELLECTUAL PROPERTY RIGHT.

UNLESS EXPRESSLY APPROVED IN WRITING BY TWO AUTHORIZED ST REPRESENTATIVES, ST PRODUCTS ARE NOT RECOMMENDED, AUTHORIZED OR WARRANTED FOR USE IN MILITARY, AIR CRAFT, SPACE, LIFE SAVING, OR LIFE SUSTAINING APPLICATIONS, NOR IN PRODUCTS OR SYSTEMS WHERE FAILURE OR MALFUNCTION MAY RESULT IN PERSONAL INJURY, DEATH, OR SEVERE PROPERTY OR ENVIRONMENTAL DAMAGE. ST PRODUCTS WHICH ARE NOT SPECIFIED AS "AUTOMOTIVE GRADE" MAY ONLY BE USED IN AUTOMOTIVE APPLICATIONS AT USER'S OWN RISK.

Resale of ST products with provisions different from the statements and/or technical features set forth in this document shall immediately void any warranty granted by ST for the ST product or service described herein and shall not create or extend in any manner whatsoever, any liability of ST.

ST and the ST logo are trademarks or registered trademarks of ST in various countries.

Information in this document supersedes and replaces all information previously supplied.

The ST logo is a registered trademark of STMicroelectronics. All other names are the property of their respective owners.

© 2012 STMicroelectronics - All rights reserved

STMicroelectronics group of companies

Australia - Belgium - Brazil - Canada - China - Czech Republic - Finland - France - Germany - Hong Kong - India - Israel - Italy - Japan - Malaysia - Malta - Morocco - Philippines - Singapore - Spain - Sweden - Switzerland - United Kingdom - United States of America

www.st.com