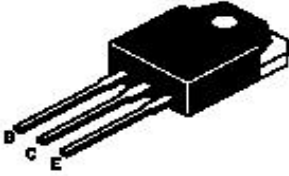


POWER TRANSISTORS

A1941 (9TW) PNP
C5198 (9TW) NPN

**TO- 3PN Non Isolated
Plastic Package**



Power Amplifier Applications.

ABSOLUTE MAXIMUM RATINGS ($T_a=25^\circ\text{C}$ unless specified otherwise)

DESCRIPTION	SYMBOL	VALUE	UNIT
Collector Base Voltage	V_{CBO}	160	V
Collector Emitter Voltage	V_{CEO}	160	V
Emitter Base Voltage	V_{EBO}	5.0	V
Collector Current	I_C	10	A
Base Current	I_B	1	A
Total Power Dissipation up to $T_c=25^\circ\text{C}$	P_{tot}	100	W
Junction Temperature	T_j	150	$^\circ\text{C}$
Storage Temperature	T_{stg}	- 55 to +150	$^\circ\text{C}$

ELECTRICAL CHARACTERISTICS ($T_a=25^\circ\text{C}$ unless specified otherwise)

DESCRIPTION	SYMBOL	TEST CONDITION	MIN	TYP	MAX	UNIT
Collector Cut Off Current	I_{CBO}	$V_{CB}=160\text{V}, I_E=0$			5.0	μA
Emitter Cut Off Current	I_{EBO}	$V_{EB}=5\text{V}, I_C=0$			5.0	μA
Collector Emitter Voltage	V_{CEO}	$I_C=1\text{mA}, I_B=0$	160			V
Collector Emitter Saturation Voltage	$V_{CE(sat)}$	$I_C=7\text{A}, I_B=0.7\text{A}$			2.0	V
Base Emitter On Voltage	$V_{BE(on)}$	$I_C=5\text{A}, V_{CE}=5\text{V}$			1.5	V
DC Current Gain	h_{FE}	$*I_C=1\text{A}, V_{CE}=5\text{V}$ $I_C=5\text{A}, V_{CE}=5\text{V}$	55 35		200	
Collector Output Capacitance	C_{ob}	$I_E=0, V_{CB}=10\text{V}, f=1\text{MHz}$ A1941 C5198		480 220		pF
Transition Frequency	f_T	$I_C=1\text{A}, V_{CE}=5\text{V}$		30		MHz

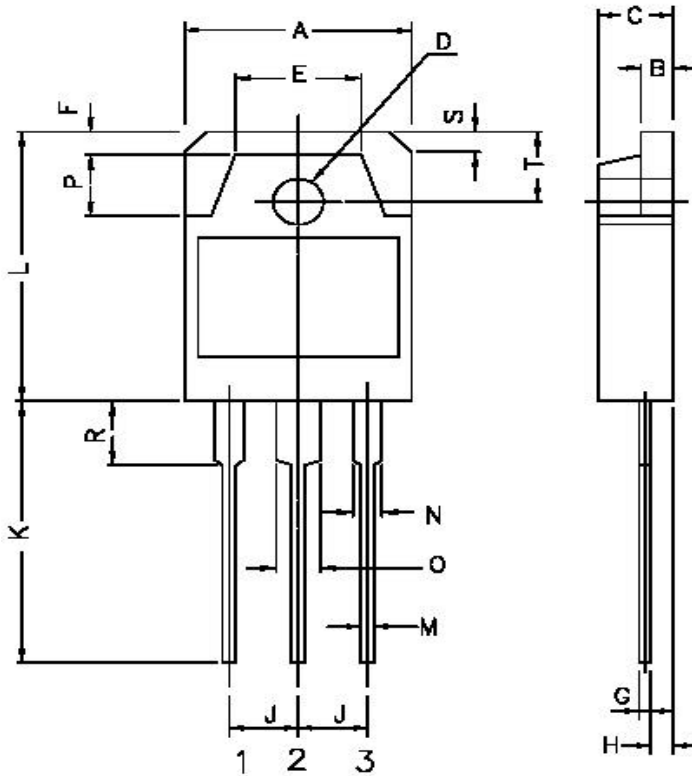
* h_{FE} Classification	R : 55 - 110		O : 80 - 200	
Marking	CDIL A1941 R	CDIL C5198 R	CDIL A1941 O	CDIL C5198 O

A1941_C5198_9TWRRev_2 250706E

A1941 (9TW) PNP
C5198 (9TW) NPN

**TO-3PN Non Isolated
 Plastic Package**

PACKAGE TO-3PN

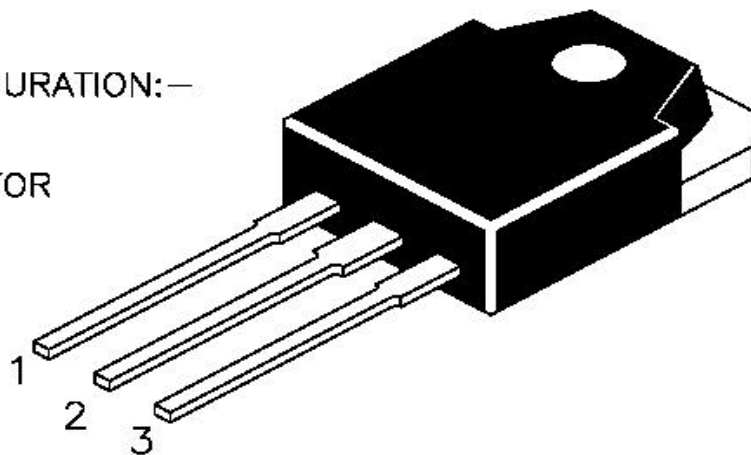


DIM	MIN	MAX
A	15.2	16.0
B	1.9	2.1
C	4.6	5.0
D	3.1	3.3
E	—	9.6
F	—	2.0
G	0.55	0.85
H	—	1.4
J	5.35	5.55
K	20.0	—
L	19.6	20.2
M	0.95	1.25
N	—	2.0
O	—	3.0
P	—	4.0
R	—	4.0
S	—	1.8
T	4.8	5.2

ALL DIMENSIONS ARE IN M.M.

PIN CONFIGURATION:—

1. BASE
2. COLLECTOR
3. EMITTER



Component Disposal Instructions

1. CDIL Semiconductor Devices are RoHS compliant, customers are requested to please dispose as per prevailing Environmental Legislation of their Country.
2. In Europe, please dispose as per EU Directive 2002/96/EC on Waste Electrical and Electronic Equipment (WEEE).

Disclaimer

The product information and the selection guides facilitate selection of the CDIL's Semiconductor Device(s) best suited for application in your product(s) as per your requirement. It is recommended that you completely review our Data Sheet(s) so as to confirm that the Device(s) meet functionality parameters for your application. The information furnished in the Data Sheet and on the CDIL Web Site/CD is believed to be accurate and reliable. CDIL however, does not assume responsibility for inaccuracies or incomplete information. Furthermore, CDIL does not assume liability whatsoever, arising out of the application or use of any CDIL product; neither does it convey any license under its patent rights nor rights of others. These products are not designed for use in life saving/support appliances or systems. CDIL customers selling these products (either as individual Semiconductor Devices or incorporated in their end products), in any life saving/support appliances or systems or applications do so at their own risk and CDIL will not be responsible for any damages resulting from such sale(s).

CDIL strives for continuous improvement and reserves the right to change the specifications of its products without prior notice.



CDIL is a registered Trademark of
Continental Device India Limited

C-120 Naraina Industrial Area, New Delhi 110 028, India.

Telephone + 91-11-2579 6150, 4141 1112 Fax + 91-11-2579 5290, 4141 1119

email@cdil.com www.cdilsemi.com