

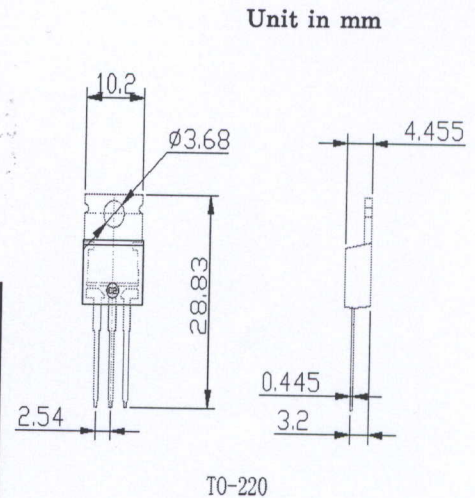
2SC2312

LINEAR AMPLIFIER APPLICATIONS
NPN EPITAXIAL PLANNAR

- Wide Safe Operating Area.
- High Output

MAXIMUM RATINGS ($T_a = 25^\circ\text{C}$)

CHARACTERISTIC		SYMBOL	RATING	UNIT
Collector-Base Voltage		V_{CB0}	60	V
Collector-Emitter Voltage		V_{CE0}	60	V
Emitter-Base Voltage		V_{EB0}	5	V
Collector Current		I_C	6	A
Base Current		I_B	0.5	A
Collector Power Dissipation	$T_a = 25^\circ\text{C}$	P_C	2.0	W
	$T_c = 25^\circ\text{C}$		30	
Junction Temperature		T_j	150	$^\circ\text{C}$
Storage Temperature Range		T_{stg}	-55~150	$^\circ\text{C}$



ELECTRICAL CHARACTERISTICS ($T_a = 25^\circ\text{C}$)

CHARACTERISTIC	SYMBOL	TEST CONDITION	MIN.	TYP.	MAX.	UNIT
Collector Cut-off Current	I_{CBO}	$V_{CB} = 30\text{V}, I_E = 0$	—	—	500	μA
Emitter Cut-off Current	I_{EBO}	$V_{EB} = 4\text{V}, I_C = 0$	—	—	100	μA
DC Current Gain	h_{FE}	$V_{CE} = 10\text{V}, I_C = 100\text{mA}$	40	—	180	