

Thermal cut – out

AR03, AR33



Thermal cut-out type AR offers proven reliability in a compact, cost-effective design. The snap action of the bimetal disc provides excellent contact separation at electrical load 16 A.



Standard Specifications

- Contact configuration: normally closed
- Rated current: 16A
- Range of rated switching temperatures: 60°C - 180°C
- Switching differential: 30 ± 15 K / manual reset
- Switching temperature tolerance: ±5K / ±10K

Sample Applications

- Boilers
- Ovens
- Heaters
- Washing machines
- Dryers
- Steam cleaners

Features

- Available in automatic and manual reset
- Available in various mounting configuration

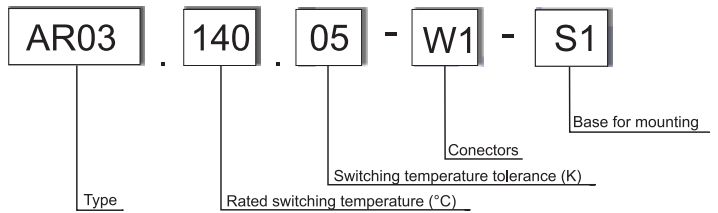


Thermal cut – out AR03, AR33

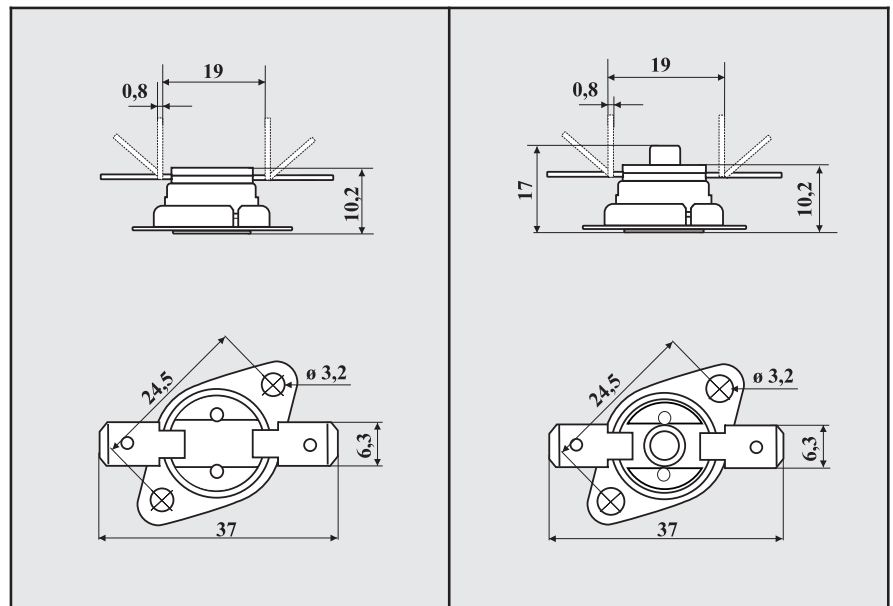
Marking



Ordering example



Electrical scheme

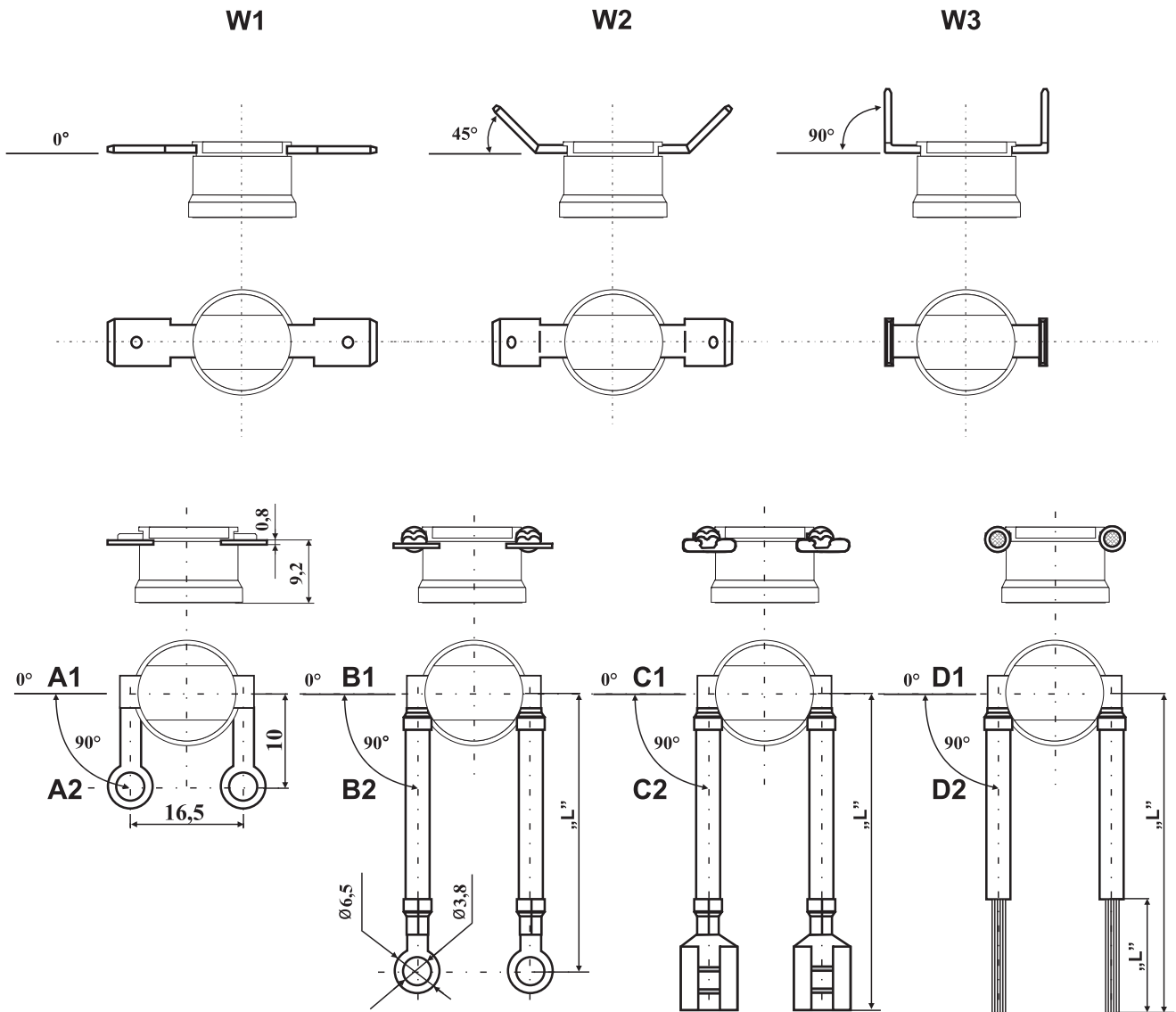


Type of thermal cut-out	AR03	AR33
Contact	SPST, normally closed	
Rated voltage	250V; AC	
Rated current of resistance loading $I_{zn}, \cos\phi = 1,0$ of resistance and induction loading $I_x, \cos\phi = 0,6$	16 A 6 A	
Number of switching cycles at rating loading	3 000 cycles	
Range of rated switching temperatures	50°C - 180°C	
Switching temperature tolerance (standard)	±5K / ±10K	
Switching differential	30 ± 15 K	manual reset
Speed of temperature changes	0,5 ÷ 1K / min	
Thermal resistance	max 210°C / 1min	
Degree of protection	IP 00	
Degree of pollution (acc. to EN-60730-1)	2	
PTI of material used for insulation	250 V	
Rated impulse voltage	2500 V; 50 Hz	
Contact resistance	max 20 mΩ	
Construction	for incorporation in class I equipment	

Thermal cut – out AR03, AR33

Options:

Connectors:



Base:

