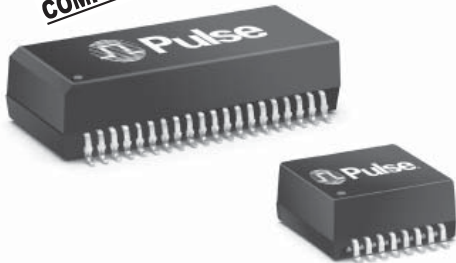


10/100BASE-TX TRANSFORMER MODULES

For Auto MDI/MDIX Applications



- RoHS peak reflow temperature rating 245°C
- Symmetrical transmit and receive channels for Auto MDI/MDIX capability
- Approved for use with the Broadcom BCM5226 and Level One LXT9784
- Meets IEEE 802.3 specification

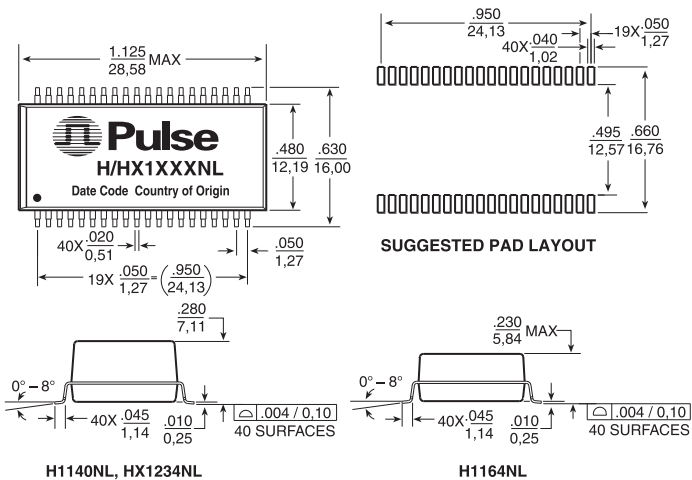
Electrical Specifications @ 25°C — Operating Temperature 0°C to 70°C

RoHS Compliant Part Number ²	Insertion Loss (MAX)	Return Loss (dB MIN)				Crosstalk (dB MIN)				Differential to Common Mode Rejection (dBMIN)		Hipot (Vrms MIN)
		0.1-100 MHz	2-30 MHz	40 MHz	50 MHz	60-80 MHz	1 kHz	30 MHz	60 MHz	100 MHz	1-60 MHz	
H1140NL ^{3c}	-1.0	-18	-14.4	-13.1	-12	-65	-50	-40	-35	-40	-35	1500
H1141NL ^{3c}	-1.0	-18	-14.4	-13.1	-12	-65	-50	-40	-35	-40	-35	1500
H1164NL ^{3d}	-1.0	-18	-14.4	-13.1	-12	-55	-45	-40	-33	-37	-25	1500
HX1234NL ^{1,3c}	-1.4	-18	-14.4	-13.1	-12	-55	-45	-40	-33	-37	-25	1500

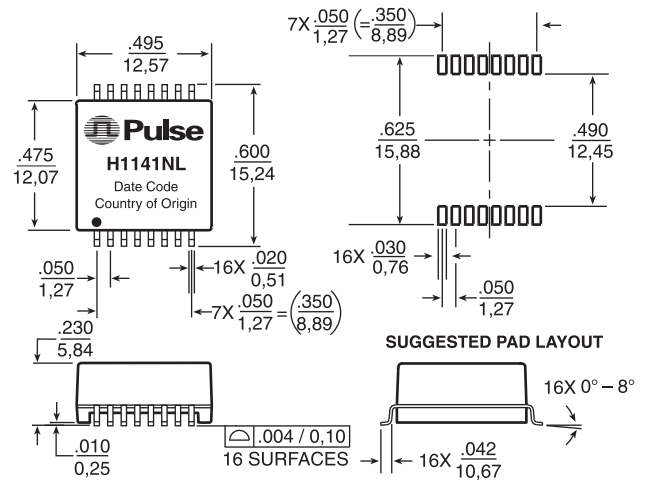
1. Operating Temperature -40°C to +85°C C_{ww}
2. For Tape & Reel packaging, add a "T" suffix to the end of the part number when ordering, (Ex: H1164NLT)
3. MSL = Moisture Sensitivity Level a=1 b=2 c=3 d=4

Mechanicals

H1140NL, H1164NL, HX1234NL



H1141NL



Weight 4.8 grams
Tape & Reel 250/reel
Tube 15/tube

Weight 1 gram
Tape & Reel 350/reel
Tube 35/tube

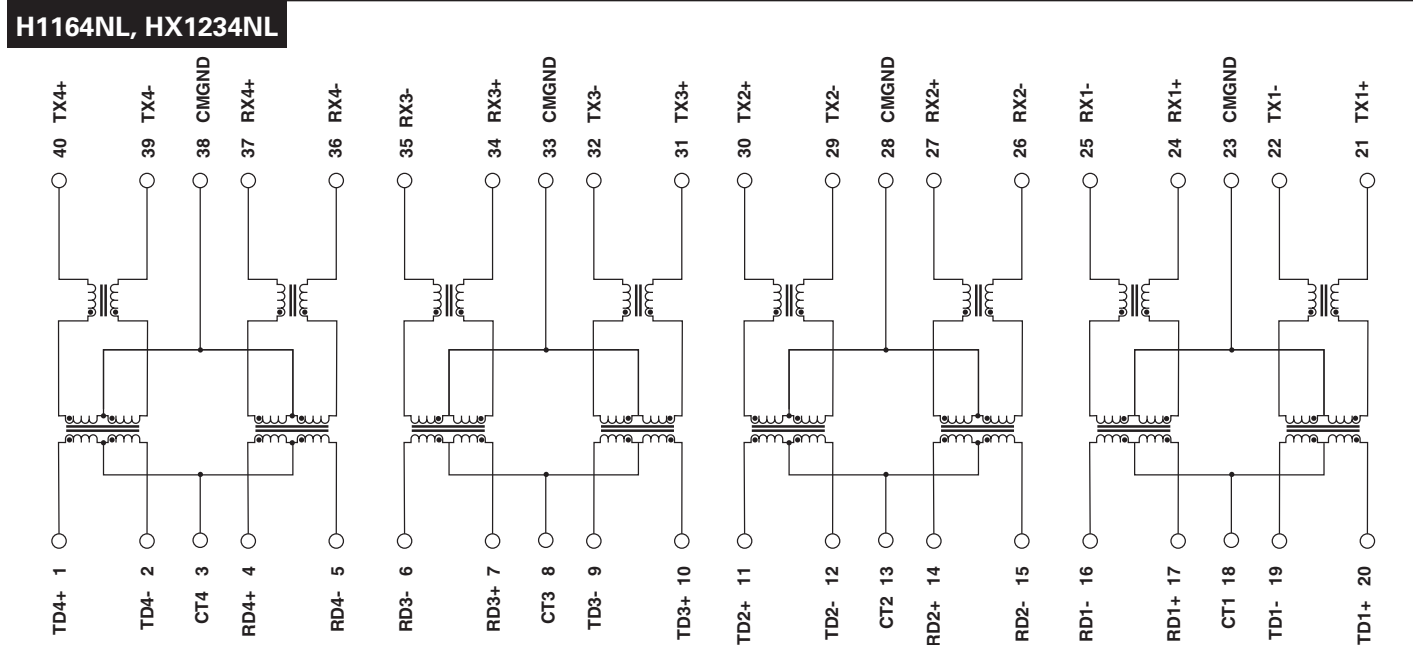
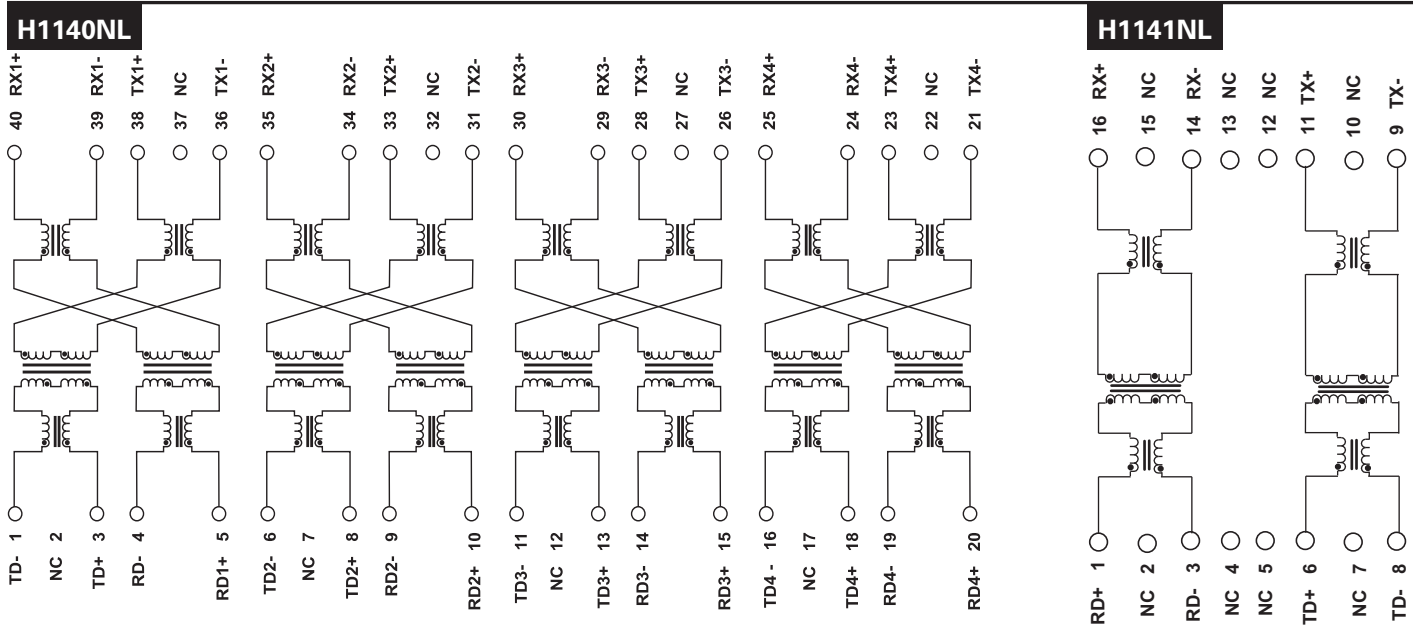
Dimensions: $\frac{\text{Inches}}{\text{mm}}$ Unless otherwise specified, all tolerances are $\pm \frac{.010}{0,25}$

10/100BASE-TX TRANSFORMER MODULES

For Auto MDI/MDIX Applications



Schematics



For More Information:

<p>Pulse Worldwide Headquarters 12220 World Trade Dr. San Diego, CA 92128 U.S.A.</p> <p>www.pulseeng.com Tel: 858 674 8100 Fax: 858 674 8262</p>	<p>Pulse Europe Einsteinstrasse 1 D-71083 Herrenberg Germany</p> <p>Tel: 49 7032 7806 0 Fax: 49 7032 7806 135</p>	<p>Pulse China Headquarters B402, Shenzhen Academy of Aerospace Technology Bldg. 10th Kejinan Rd. High-Tech Zone Nanshan District Shenzhen, PR China 518057</p> <p>Tel: 86 755 33966678 FAX: 86 755 33966700</p>	<p>Pulse North China Room 1503 XinYin Building No. 888 YiShan Rd. Shanghai 200233 China</p> <p>Tel: 86 21 54643211/2 Fax: 86 21 54643210</p>	<p>Pulse South Asia 135 Joo Seng Rd. #03-02 PM Industrial Bldg. Singapore 368363</p> <p>TEL: 65 6287 8998 FAX: 65 6280 0080</p>	<p>Pulse North Asia No. 26, Kao Ching Rd. Yang Mei Chen Taoyuan Hsien Taiwan R. O. C.</p> <p>Tel: 886 3 4643715 Fax: 886 3 4641911</p>
--	--	---	---	--	---

Performance warranty of products offered on this data sheet is limited to the parameters specified. Data is subject to change without notice. Other brand and product names mentioned herein may be trademarks or registered trademarks of their respective owners.
© Copyright, 2009. Pulse Engineering, Inc. All rights reserved.

Mouser Electronics

Authorized Distributor

Click to View Pricing, Inventory, Delivery & Lifecycle Information:

Pulse:

[HX1240](#) [HX1234](#) [H1164](#) [H1141](#) [H1141T](#) [H1140T](#) [HX1240T](#) [H1164T](#) [HX1234NLT](#) [HX1234NL](#)