

## Battery-Backed I<sup>2</sup>C™ Real-Time Clock/Calendar with SRAM

### Timekeeping Features:

- Real-Time Clock/Calendar (RTCC):
  - Hours, Minutes, Seconds, Day of Week, Day, Month, Year
  - Leap year compensated to 2399
  - 12/24 hour modes
- Oscillator for 32.768 kHz Crystals:
  - Optimized for 6-9 pF crystals
- On-Chip Digital Trimming/Calibration:
  - ±1 PPM resolution
  - ±129 PPM range
- Dual Programmable Alarms
- Versatile Output Pin:
  - Clock output with selectable frequency
  - Alarm output
  - General purpose output
- Power-Fail Time-Stamp:
  - Time logged on switchover to and from Battery mode

### Low-Power Features:

- Wide Voltage Range:
  - Operating voltage range of 1.8V to 5.5V
  - Backup voltage range of 1.3V to 5.5V
- Low Typical Timekeeping Current:
  - Operating from V<sub>CC</sub>: 1.2 µA at 3.3V
  - Operating from battery backup: 925 nA at 3.0V
- Automatic Switchover to Battery Backup

### User Memory:

- 64-byte Battery-Backed SRAM

### Operating Ranges:

- 2-Wire Serial Interface, I<sup>2</sup>C™ Compatible
  - I<sup>2</sup>C clock rate up to 400 kHz
- Temperature Range:
  - Industrial (I): -40°C to +85°C
  - Extended (E): -40°C to +125°C

### Packages:

- 8-Lead SOIC, MSOP, TSSOP, PDIP and 2x3 TDFN

### General Description:

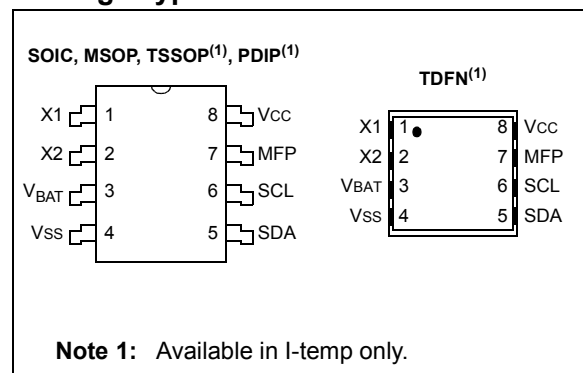
The MCP7940N Real-Time Clock/Calendar (RTCC) tracks time using internal counters for hours, minutes, seconds, days, months, years, and day of week. Alarms can be configured on all counters up to and including months. For usage and configuration, the MCP7940N supports I<sup>2</sup>C communications up to 400 kHz.

The open-drain, multi-functional output can be configured to assert on an alarm match, to output a selectable frequency square wave, or as a general purpose output.

The MCP7940N is designed to operate using a 32.768 kHz tuning fork crystal with external crystal load capacitors. On-chip digital trimming can be used to adjust for frequency variance caused by crystal tolerance and temperature.

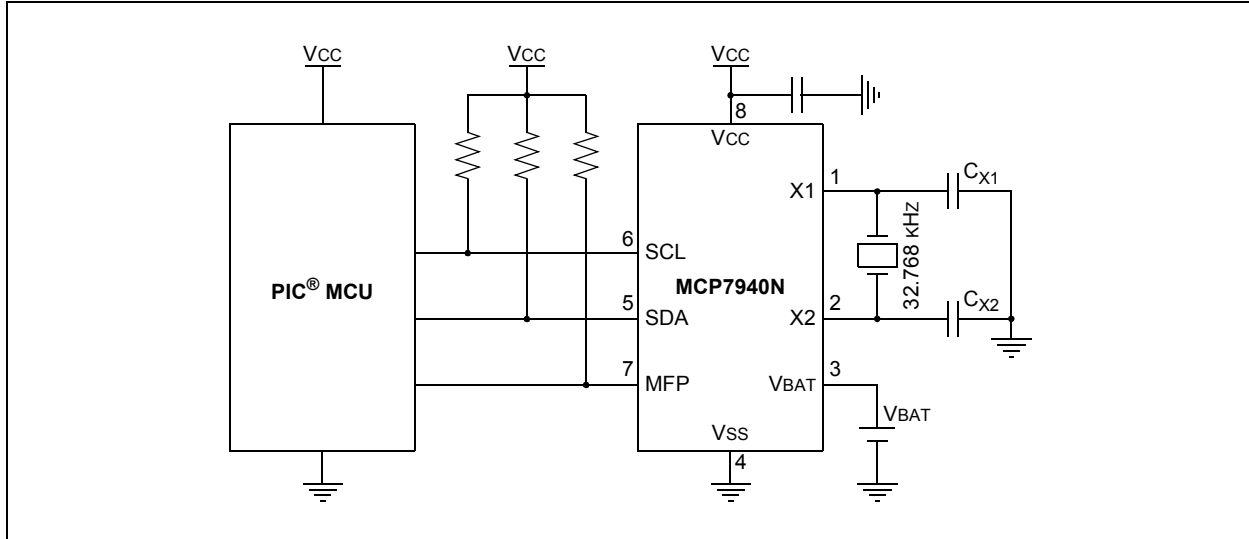
SRAM and timekeeping circuitry are powered from the back-up supply when main power is lost, allowing the device to maintain accurate time and the SRAM contents. The times when the device switches over to the back-up supply and when primary power returns are both logged by the power-fail time-stamp.

### Package Types

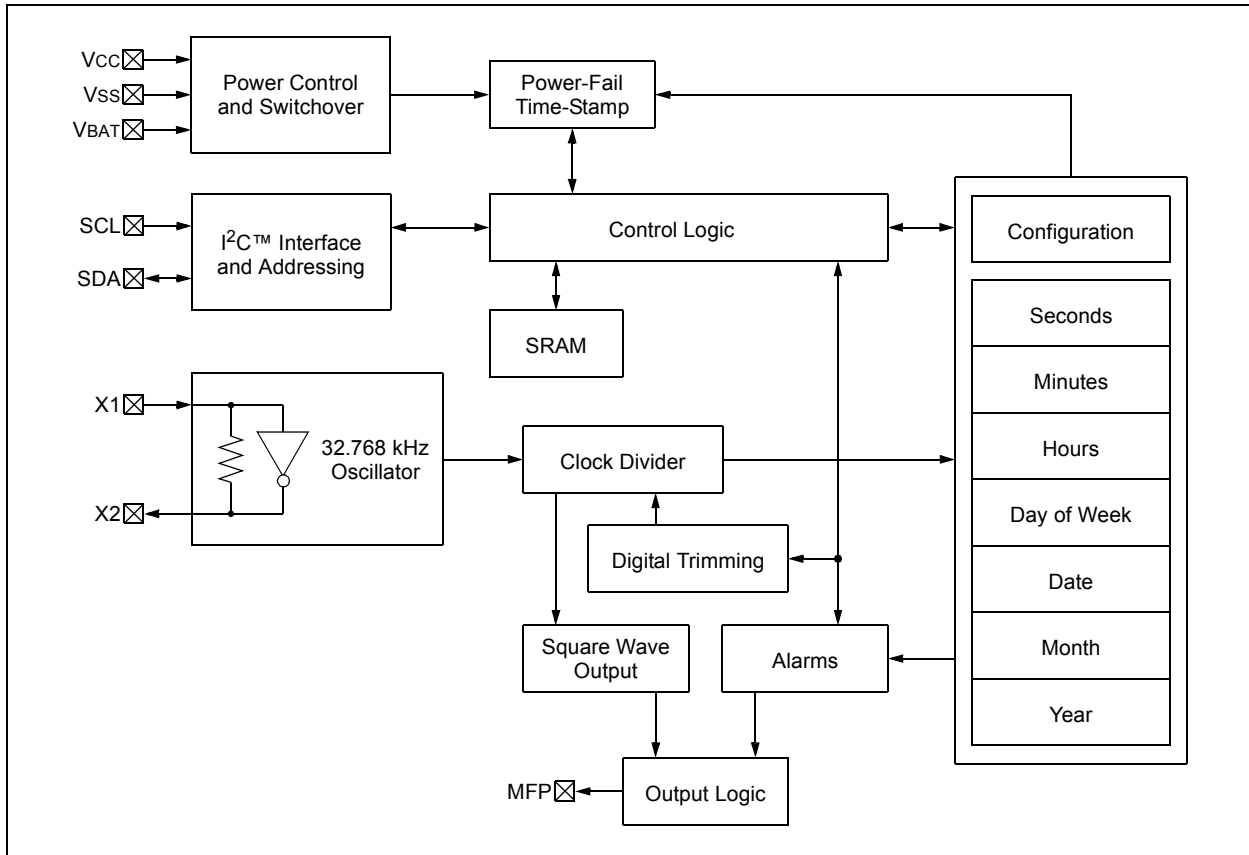


# MCP7940N

**FIGURE 1-1: TYPICAL APPLICATION SCHEMATIC**



**FIGURE 1-2: BLOCK DIAGRAM**



## 1.0 ELECTRICAL CHARACTERISTICS

### Absolute Maximum Ratings (†)

|  |                                |
|--|--------------------------------|
| V <sub>CC</sub> .....  | 6.5V                           |
| All inputs and outputs (except SDA and SCL) w.r.t. V <sub>SS</sub> ..... | -0.6V to V <sub>CC</sub> +1.0V |
| SDA and SCL w.r.t. V <sub>SS</sub> .....                                 | -0.6V to 6.5V                  |
| Storage temperature.....   | -65°C to +150°C                |
| Ambient temperature with power applied.....                              | -40°C to +125°C                |
| ESD protection on all pins.....  | ≥ 4 kV                         |

† NOTICE: Stresses above those listed under “Absolute Maximum Ratings” may cause permanent damage to the device. This is a stress rating only and functional operation of the device at those or any other conditions above those indicated in the operational listings of this specification is not implied. Exposure to maximum rating conditions for extended periods may affect device reliability.

**TABLE 1-1: DC CHARACTERISTICS**

| DC CHARACTERISTICS |                                       |   | Electrical Characteristics: |                     |  |                                  |  |
|--------------------|---------------------------------------|---|-----------------------------|---------------------|--|----------------------------------|--|
|                    |                                       |   | Industrial (I):             |                     | V <sub>CC</sub> = +1.8V to 5.5V            | T <sub>A</sub> = -40°C to +85°C  |  |
|                    |                                       |   | Extended (E):               |                     | V <sub>CC</sub> = +1.8V to 5.5V            | T <sub>A</sub> = -40°C to +125°C |  |
| Param. No.         | Sym.                                  | Characteristic  | Min.                        | Typ. <sup>(2)</sup> | Max.                                       | Units                            | Conditions   |
| D1                 | V <sub>IH</sub>                       | High-level input voltage                                | 0.7 V <sub>CC</sub>         | —                   | —  | V                                | —  |
| D2                 | V <sub>IL</sub>                       | Low-level input voltage                                 | —                           | —                   | 0.3 V <sub>CC</sub><br>0.2 V <sub>CC</sub> | V<br>V                           | V <sub>CC</sub> ≥ 2.5V<br>V <sub>CC</sub> < 2.5V   |
| D3                 | V <sub>HYS</sub>                      | Hysteresis of Schmitt Trigger inputs (SDA, SCL pins)    | 0.05 V <sub>CC</sub>        | —                   | —  | V                                | (Note 1)   |
| D4                 | V <sub>OL</sub>                       | Low-level output voltage (MFP, SDA pins)                | —                           | —                   | 0.40                                       | V                                | I <sub>OL</sub> = 3.0 mA @ V <sub>CC</sub> = 4.5V<br>I <sub>OL</sub> = 2.1 mA @ V <sub>CC</sub> = 2.5V |
| D5                 | I <sub>LI</sub>                       | Input leakage current                                   | —                           | —                   | ±1   | μA                               | V <sub>IN</sub> = V <sub>SS</sub> or V <sub>CC</sub>   |
| D6                 | I <sub>LO</sub>                       | Output leakage current                                  | —                           | —                   | ±1   | μA                               | V <sub>OUT</sub> = V <sub>SS</sub> or V <sub>CC</sub>  |
| D7                 | C <sub>IN</sub> ,<br>C <sub>OUT</sub> | Pin capacitance (SDA, SCL, MFP pins)                    | —                           | —                   | 10   | pF                               | V <sub>CC</sub> = 5.0V (Note 1)<br>T <sub>A</sub> = 25°C, f = 1 MHz                                    |
| D8                 | C <sub>OSC</sub>                      | Oscillator pin capacitance (X1, X2 pins)                | —                           | 3                   | —  | pF                               | (Note 1)   |
| D9                 | I <sub>CCREAD</sub>                   | SRAM/RTCC register operating current                    | —                           | —                   | 300  | μA                               | V <sub>CC</sub> = 5.5V, SCL = 400 kHz  |
|                    | I <sub>CCWRITE</sub>                  |   | —                           | —                   | 400  | μA                               | V <sub>CC</sub> = 5.5V, SCL = 400 kHz  |
| D10                | I <sub>CCDAT</sub>                    | V <sub>CC</sub> data-retention current (oscillator off) | —                           | —                   | 1  | μA                               | SCL, SDA, V <sub>CC</sub> = 5.5V (I-Temp)  |
|                    |                                       |   | —                           | —                   | 5  | μA                               | SCL, SDA, V <sub>CC</sub> = 5.5V (E-temp)  |
| D11                | I <sub>CCCT</sub>                     | Timekeeping current                                     | —                           | 1.2                 | —  | μA                               | V <sub>CC</sub> = 3.3V (Note 1)  |
| D12                | V <sub>TRIP</sub>                     | Power-fail switchover voltage                           | 1.3                         | 1.5                 | 1.7  | V                                | —  |
| D13                | V <sub>BAT</sub>                      | Backup supply voltage range                             | 1.3                         | —                   | 5.5  | V                                | (Note 1)   |
| D14                | I <sub>BATT</sub>                     | Timekeeping backup current                              | —                           | —                   | 850  | nA                               | V <sub>BAT</sub> = 1.3V, V <sub>CC</sub> = V <sub>SS</sub> (Note 1)                                    |
|                    |                                       |   | —                           | 925                 | 1200                                       | nA                               | V <sub>BAT</sub> = 3.0V, V <sub>CC</sub> = V <sub>SS</sub> (Note 1)                                    |
|                    |                                       |   | —                           | —                   | 9000                                       | nA                               | V <sub>BAT</sub> = 5.5V, V <sub>CC</sub> = V <sub>SS</sub> (Note 1)                                    |

**Note 1:** This parameter is not tested but ensured by characterization.

**Note 2:** Typical measurements taken at room temperature.

# MCP7940N

| DC CHARACTERISTICS (Continued) |         |  | Electrical Characteristics: |                     |                                 |                                  |                        |
|--------------------------------|---------|--|-----------------------------|---------------------|---------------------------------|----------------------------------|------------------------|
|                                |         |  | Industrial (I):             |                     | V <sub>CC</sub> = +1.8V to 5.5V | T <sub>A</sub> = -40°C to +85°C  |                        |
|                                |         |  | Extended (E):               |                     | V <sub>CC</sub> = +1.8V to 5.5V | T <sub>A</sub> = -40°C to +125°C |                        |
| Param. No.                     | Sym.    | Characteristic                               | Min.                        | Typ. <sup>(2)</sup> | Max.                            | Units                            | Conditions             |
| D15                            | IBATDAT | VBAT data retention current (oscillator off) | —                           | —                   | 750                             | nA                               | VBAT = 3.6V, VCC = VSS |

**Note 1:** This parameter is not tested but ensured by characterization.

**Note 2:** Typical measurements taken at room temperature.

**TABLE 1-2: AC CHARACTERISTICS**

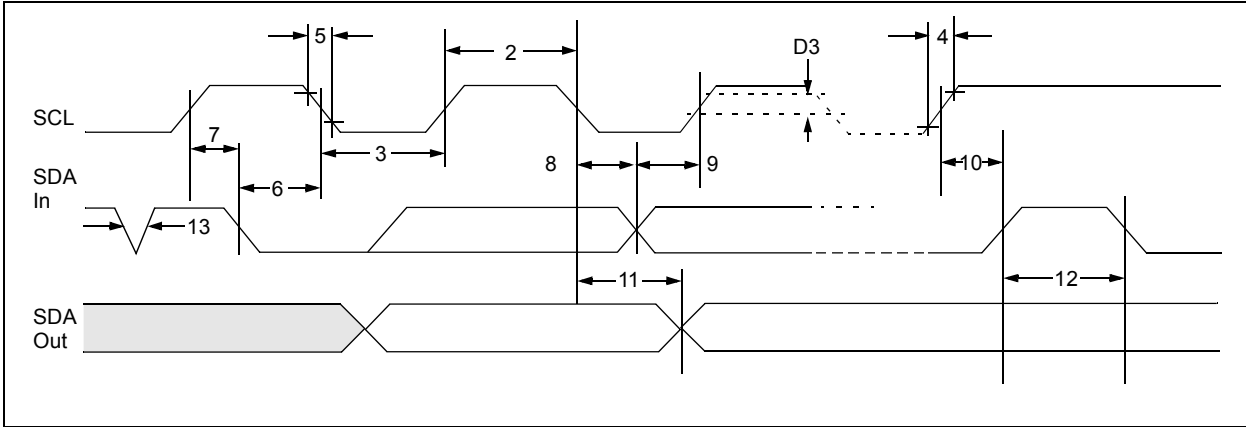
| AC CHARACTERISTICS |         |  | Electrical Characteristics: |        |                                 |                                  |  |
|--------------------|---------|--|-----------------------------|--------|---------------------------------|----------------------------------|--|
|                    |         |  | Industrial (I):             |        | V <sub>CC</sub> = +1.8V to 5.5V | T <sub>A</sub> = -40°C to +85°C  |  |
|                    |         |  | Extended (E):               |        | V <sub>CC</sub> = +1.8V to 5.5V | T <sub>A</sub> = -40°C to +125°C |  |
| Param. No.         | Symbol  | Characteristic   | Min.                        | Typ.   | Max.                            | Units                            | Conditions   |
| 1                  | FCLK    | Clock frequency  | —<br>—                      | —<br>— | 100<br>400                      | kHz                              | 1.8V ≤ V <sub>CC</sub> < 2.5V<br>2.5V ≤ V <sub>CC</sub> ≤ 5.5V |
| 2                  | THIGH   | Clock high time  | 4000<br>600                 | —<br>— | —<br>—                          | ns                               | 1.8V ≤ V <sub>CC</sub> < 2.5V<br>2.5V ≤ V <sub>CC</sub> ≤ 5.5V |
| 3                  | TLOW    | Clock low time   | 4700<br>1300                | —<br>— | —<br>—                          | ns                               | 1.8V ≤ V <sub>CC</sub> < 2.5V<br>2.5V ≤ V <sub>CC</sub> ≤ 5.5V |
| 4                  | TR      | SDA and SCL rise time<br>(Note 1)  | —<br>—                      | —<br>— | 1000<br>300                     | ns                               | 1.8V ≤ V <sub>CC</sub> < 2.5V<br>2.5V ≤ V <sub>CC</sub> ≤ 5.5V |
| 5                  | TF      | SDA and SCL fall time<br>(Note 1)  | —<br>—                      | —<br>— | 1000<br>300                     | ns                               | 1.8V ≤ V <sub>CC</sub> < 2.5V<br>2.5V ≤ V <sub>CC</sub> ≤ 5.5V |
| 6                  | THD:STA | Start condition hold time  | 4000<br>600                 | —<br>— | —<br>—                          | ns                               | 1.8V ≤ V <sub>CC</sub> < 2.5V<br>2.5V ≤ V <sub>CC</sub> ≤ 5.5V |
| 7                  | TSU:STA | Start condition setup time   | 4700<br>600                 | —<br>— | —<br>—                          | ns                               | 1.8V ≤ V <sub>CC</sub> < 2.5V<br>2.5V ≤ V <sub>CC</sub> ≤ 5.5V |
| 8                  | THD:DAT | Data input hold time   | 0                           | —      | —                               | ns                               | (Note 2)   |
| 9                  | TSU:DAT | Data input setup time  | 250<br>100                  | —<br>— | —<br>—                          | ns                               | 1.8V ≤ V <sub>CC</sub> < 2.5V<br>2.5V ≤ V <sub>CC</sub> ≤ 5.5V |
| 10                 | TSU:STO | Stop condition setup time  | 4000<br>600                 | —<br>— | —<br>—                          | ns                               | 1.8V ≤ V <sub>CC</sub> < 2.5V<br>2.5V ≤ V <sub>CC</sub> ≤ 5.5V |
| 11                 | TAA     | Output valid from clock  | —<br>—                      | —<br>— | 3500<br>900                     | ns                               | 1.8V ≤ V <sub>CC</sub> < 2.5V<br>2.5V ≤ V <sub>CC</sub> ≤ 5.5V |
| 12                 | TBUF    | Bus free time: Time the bus must be free before a new transmission can start | 4700<br>1300                | —<br>— | —<br>—                          | ns                               | 1.8V ≤ V <sub>CC</sub> < 2.5V<br>2.5V ≤ V <sub>CC</sub> ≤ 5.5V |
| 13                 | TSP     | Input filter spike suppression (SDA and SCL pins)                            | —                           | —      | 50                              | ns                               | (Note 1)   |
| 14                 | TFVCC   | V <sub>CC</sub> fall time  | 300                         | —      | —                               | μs                               | (Note 1)   |
| 15                 | TRVCC   | V <sub>CC</sub> rise time  | 0                           | —      | —                               | μs                               | (Note 1)   |
| 16                 | FOSC    | Oscillator frequency   | —                           | 32.768 | —                               | kHz                              | —  |
| 17                 | TOSF    | Oscillator timeout period  | 1                           | —      | —                               | ms                               | (Note 1)   |

**Note 1:** Not 100% tested.

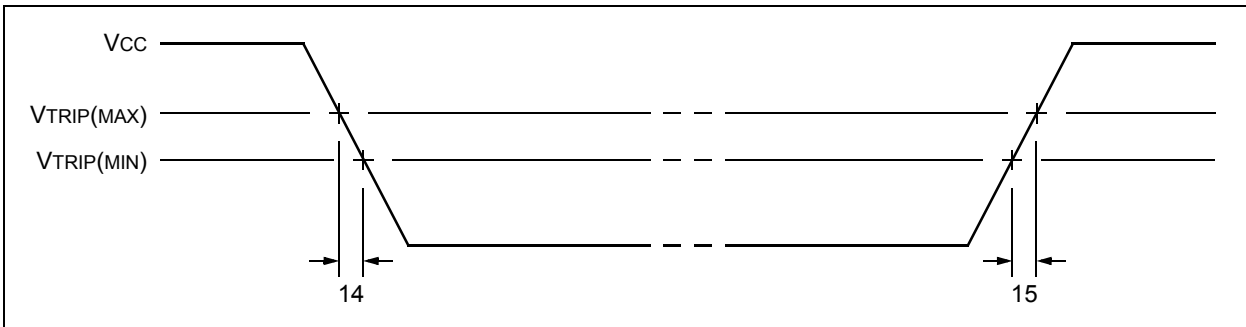
- 2:** As a transmitter, the device must provide an internal minimum delay time to bridge the undefined region (minimum 300 ns) of the falling edge of SCL to avoid unintended generation of Start or Stop conditions.

# MCP7940N

**FIGURE 1-3: I<sup>2</sup>C BUS TIMING DATA**



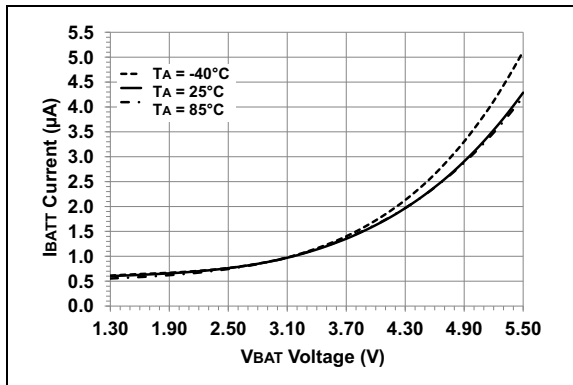
**FIGURE 1-4: POWER SUPPLY TRANSITION TIMING**



## 2.0 TYPICAL PERFORMANCE CURVE

**Note:** The graphs and tables provided following this note are a statistical summary based on a limited number of samples and are provided for informational purposes only. The performance characteristics listed herein are not tested or guaranteed. In some graphs or tables, the data represented may be outside the specified operating range (e.g., outside specified power supply range) and therefore, outside the warranted range.

**FIGURE 2-1: TIMEKEEPING BACKUP CURRENT VS. BACKUP SUPPLY VOLTAGE**



# MCP7940N

## 3.0 PIN DESCRIPTIONS

The descriptions of the pins are listed in [Table 3-1](#).

**TABLE 3-1: PIN FUNCTION TABLE**

| Name | 8-pin SOIC | 8-pin MSOP | 8-pin TSSOP | 8-pin TDFN | 8-pin PDIP | Function  |
|------|------------|------------|-------------|------------|------------|---|
| X1   | 1          | 1          | 1           | 1          | 1          | Quartz Crystal Input, External Oscillator Input |
| X2   | 2          | 2          | 2           | 2          | 2          | Quartz Crystal Output                           |
| VBAT | 3          | 3          | 3           | 3          | 3          | Battery Backup Supply Input                     |
| Vss  | 4          | 4          | 4           | 4          | 4          | Ground  |
| SDA  | 5          | 5          | 5           | 5          | 5          | Bidirectional Serial Data (I <sup>2</sup> C™)   |
| SCL  | 6          | 6          | 6           | 6          | 6          | Serial Clock (I <sup>2</sup> C)                 |
| MFP  | 7          | 7          | 7           | 7          | 7          | Multifunction Pin                               |
| Vcc  | 8          | 8          | 8           | 8          | 8          | Primary Power Supply                            |

**Note:** Exposed pad on TFDN can be connected to Vss or left floating.

### 3.1 Serial Data (SDA)

This is a bidirectional pin used to transfer addresses and data into and out of the device. It is an open-drain terminal. Therefore, the SDA bus requires a pull-up resistor to Vcc (typically 10 kΩ for 100 kHz, 2 kΩ for 400 kHz). For normal data transfer, SDA is allowed to change only during SCL low. Changes during SCL high are reserved for indicating the Start and Stop conditions.

### 3.2 Serial Clock (SCL)

This input is used to synchronize the data transfer to and from the device.

### 3.3 Oscillator Input/Output (X1, X2)

These pins are used as the connections for an external 32.768 kHz quartz crystal and load capacitors. X1 is the crystal oscillator input and X2 is the output. The MCP7940N is designed to allow for the use of external load capacitors in order to provide additional flexibility when choosing external crystals. The MCP7940N is optimized for crystals with a specified load capacitance of 6-9 pF.

X1 also serves as the external clock input when the MCP7940N is configured to use an external oscillator.

### 3.4 Multifunction Pin (MFP)

This is an output pin used for the alarm and square wave output functions. It can also serve as a general purpose output pin by controlling the OUT bit in the CONTROL register.

The MFP is an open-drain output and requires a pull-up resistor to Vcc (typically 10 kΩ). This pin may be left floating if not used.

### 3.5 Backup Supply (VBAT)

This is the input for a backup supply to maintain the RTCC and SRAM registers during the time when Vcc is unavailable.

If the battery backup feature is not being used, the VBAT pin should be connected to Vss.



## 4.0 I<sup>2</sup>C BUS CHARACTERISTICS

### 4.1 I<sup>2</sup>C Interface

The MCP7940N supports a bidirectional 2-wire bus and data transmission protocol. A device that sends data onto the bus is defined as transmitter, and a device receiving data as receiver. The bus has to be controlled by a master device which generates the Start and Stop conditions, while the MCP7940N works as slave. Both master and slave can operate as transmitter or receiver but the master device determines which mode is activated.

#### 4.1.1 BUS CHARACTERISTICS

The following **bus protocol** has been defined:

- Data transfer may be initiated only when the bus is not busy.
- During data transfer, the data line must remain stable whenever the clock line is high. Changes in the data line while the clock line is high will be interpreted as a Start or Stop condition.

Accordingly, the following bus conditions have been defined (Figure 4-1).

##### 4.1.1.1 Bus Not Busy (A)

Both data and clock lines remain high.

##### 4.1.1.2 Start Data Transfer (B)

A high-to-low transition of the SDA line while the clock (SCL) is high determines a Start condition. All commands must be preceded by a Start condition.

##### 4.1.1.3 Stop Data Transfer (C)

A low-to-high transition of the SDA line while the clock (SCL) is high determines a Stop condition. All operations must end with a Stop condition.

##### 4.1.1.4 Data Valid (D)

The state of the data line represents valid data when, after a Start condition, the data line is stable for the duration of the high period of the clock signal.

The data on the line must be changed during the low period of the clock signal. There is one bit of data per clock pulse.

Each data transfer is initiated with a Start condition and terminated with a Stop condition. The number of the data bytes transferred between the Start and Stop conditions is determined by the master device.

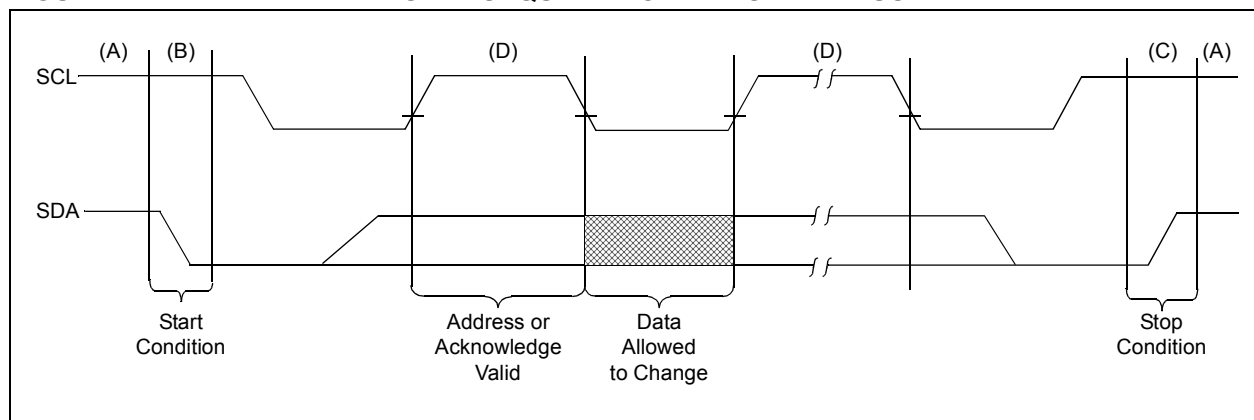
##### 4.1.1.5 Acknowledge

Each receiving device, when addressed, is obliged to generate an Acknowledge signal after the reception of each byte. The master device must generate an extra clock pulse which is associated with this Acknowledge bit.

**Note:** The I<sup>2</sup>C interface is disabled while operating from the backup power supply.

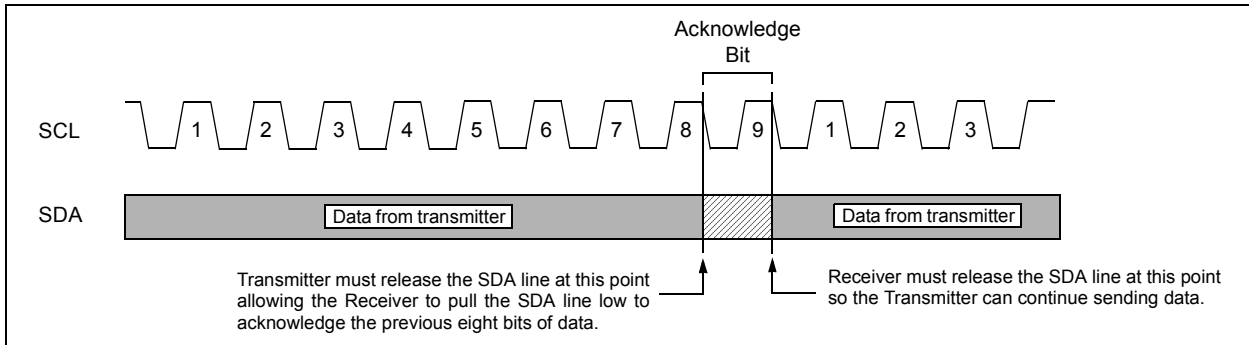
A device that acknowledges must pull down the SDA line during the Acknowledge clock pulse in such a way that the SDA line is stable-low during the high period of the Acknowledge-related clock pulse. Of course, setup and hold times must be taken into account. During reads, a master must signal an end of data to the slave by NOT generating an Acknowledge bit on the last byte that has been clocked out of the slave. In this case, the slave (MCP7940N) will leave the data line high to enable the master to generate the Stop condition.

**FIGURE 4-1: DATA TRANSFER SEQUENCE ON THE SERIAL BUS**



# MCP7940N

**FIGURE 4-2: ACKNOWLEDGE TIMING**



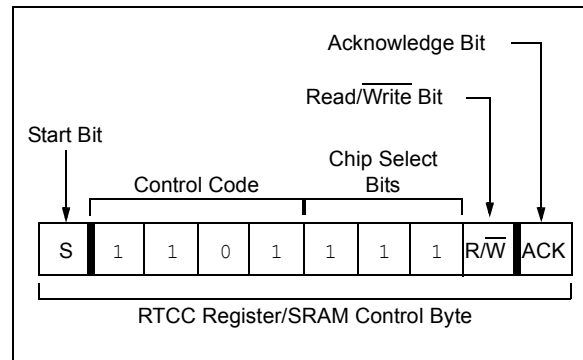
## 4.1.2 DEVICE ADDRESSING

The control byte is the first byte received following the Start condition from the master device (Figure 4-3). The control byte begins with a 4-bit control code. For the MCP7940N, this is set '1101' for register read and write operations. The next three bits are non-configurable Chip Select bits that must always be set to '1'.

The last bit of the control byte defines the operation to be performed. When set to a '1' a read operation is selected, and when set to a '0' a write operation is selected.

The combination of the 4-bit control code and the three Chip Select bits is called the slave address. Upon receiving a valid slave address, the slave device outputs an acknowledge signal on the SDA line. Depending on the state of the R/W bit, the MCP7940N will select a read or a write operation.

**FIGURE 4-3: CONTROL BYTE FORMAT**



## 5.0 FUNCTIONAL DESCRIPTION

The MCP7940N is a highly-integrated Real-Time Clock/Calendar (RTCC). Using an on-board, low-power oscillator, the current time is maintained in seconds, minutes, hours, day of week, date, month, and year. The MCP7940N also features 64 bytes of general purpose SRAM. Two alarm modules allow interrupts to be generated at specific times with flexible comparison options. Digital trimming can be used to compensate for inaccuracies inherent with crystals. Using the backup supply input and an integrated power switch, the MCP7940N will automatically switch to backup power when primary power is unavailable, allowing the current time and the SRAM contents to be maintained. The time-stamp module captures the time when primary power is lost and when it is restored.

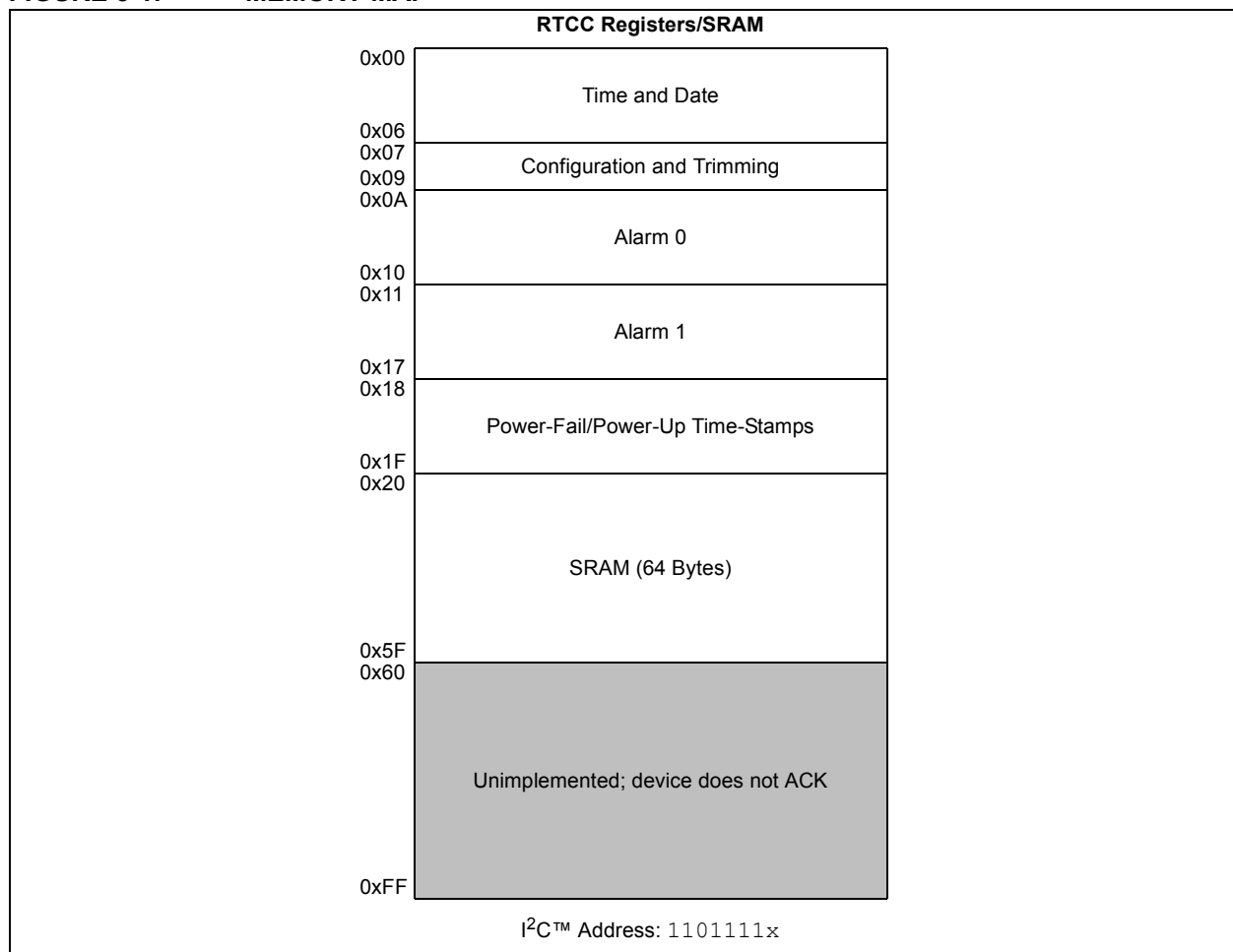
The RTCC configuration and Status registers are used to access all of the modules featured on the MCP7940N.

## 5.1 Memory Organization

The MCP7940N features two different blocks of memory: the RTCC registers and general purpose SRAM (Figure 5-1). They share the same address space, accessed through the '1101111x' control byte. Unused locations are not accessible. The MCP7940N will not acknowledge if the address is out of range, as shown in the shaded region of the memory map in Figure 5-1.

The RTCC registers are contained in addresses 0x00-0x1F. Table 5-1 shows the detailed RTCC register map. There are 64 bytes of user-accessible SRAM, located in the address range 0x20-0x5F. The SRAM is a separate block from the RTCC registers. All RTCC registers and SRAM locations are maintained while operating from backup power.

**FIGURE 5-1: MEMORY MAP**



# MCP7940N

**TABLE 5-1: DETAILED RTCC REGISTER MAP**

| Addr.  | Register Name | Bit 7                 | Bit 6                | Bit 5           | Bit 4    | Bit 3    | Bit 2    | Bit 1    | Bit 0    |
|--|---------------|-----------------------|----------------------|-----------------|----------|----------|----------|----------|----------|
| <b>Section 5.3 "Timekeeping"</b>             |               |                       |                      |                 |          |          |          |          |          |
| 00h  | RTCSEC        | ST                    | SECTEN2              | SECTEN1         | SECTEN0  | SECONE3  | SECONE2  | SECONE1  | SECONE0  |
| 01h  | RTCMIN        | —                     | MINTEN2              | MINTEN1         | MINTEN0  | MINONE3  | MINONE2  | MINONE1  | MINONE0  |
| 02h  | RTCHOUR       | —                     | 12/24                | AM/PM<br>HRTEN1 | HRTEN0   | HRONE3   | HRONE2   | HRONE1   | HRONE0   |
| 03h  | RTCWKDAY      | —                     | —                    | OSCRUN          | PWRFAIL  | VBATEN   | WKDAY2   | WKDAY1   | WKDAY0   |
| 04h  | RTCDATE       | —                     | —                    | DATETEN1        | DATETEN0 | DATEONE3 | DATEONE2 | DATEONE1 | DATEONE0 |
| 05h  | RTCMTMTH      | —                     | —                    | LPYR            | MHTTEN0  | MTHONE3  | MTHONE2  | MTHONE1  | MTHONE0  |
| 06h  | RTCYEAR       | YRTEN3                | YRTEN2               | YRTEN1          | YRTEN0   | YRONE3   | YRONE2   | YRONE1   | YRONE0   |
| 07h  | CONTROL       | OUT                   | SQWEN                | ALM1EN          | ALM0EN   | EXTOSC   | CRSTRIM  | SQWFS1   | SQWFS0   |
| 08h  | OSCTRIM       | SIGN                  | TRIMVAL6             | TRIMVAL5        | TRIMVAL4 | TRIMVAL3 | TRIMVAL2 | TRIMVAL1 | TRIMVAL0 |
| 09h  | Reserved      | Reserved – Do not use |                      |                 |          |          |          |          |          |
| <b>Section 5.4 "Alarms"</b>                  |               |                       |                      |                 |          |          |          |          |          |
| 0Ah  | ALM0SEC       | —                     | SECTEN2              | SECTEN1         | SECTEN0  | SECONE3  | SECONE2  | SECONE1  | SECONE0  |
| 0Bh  | ALM0MIN       | —                     | MINTEN2              | MINTEN1         | MINTEN0  | MINONE3  | MINONE2  | MINONE1  | MINONE0  |
| 0Ch  | ALM0HOUR      | —                     | 12/24 <sup>(2)</sup> | AM/PM<br>HRTEN1 | HRTEN0   | HRONE3   | HRONE2   | HRONE1   | HRONE0   |
| 0Dh  | ALM0WKDAY     | ALMPOL                | ALM0MSK2             | ALM0MSK1        | ALM0MSK0 | ALM0IF   | WKDAY2   | WKDAY1   | WKDAY0   |
| 0Eh  | ALM0DATE      | —                     | —                    | DATETEN1        | DATETEN0 | DATEONE3 | DATEONE2 | DATEONE1 | DATEONE0 |
| 0Fh  | ALM0MTH       | —                     | —                    | —               | MHTTEN0  | MTHONE3  | MTHONE2  | MTHONE1  | MTHONE0  |
| 10h  | Reserved      | Reserved – Do not use |                      |                 |          |          |          |          |          |
| <b>Section 5.4 "Alarms"</b>                  |               |                       |                      |                 |          |          |          |          |          |
| 11h  | ALM1SEC       | —                     | SECTEN2              | SECTEN1         | SECTEN0  | SECONE3  | SECONE2  | SECONE1  | SECONE0  |
| 12h  | ALM1MIN       | —                     | MINTEN2              | MINTEN1         | MINTEN0  | MINONE3  | MINONE2  | MINONE1  | MINONE0  |
| 13h  | ALM1HOUR      | —                     | 12/24 <sup>(2)</sup> | AM/PM<br>HRTEN1 | HRTEN0   | HRONE3   | HRONE2   | HRONE1   | HRONE0   |
| 14h  | ALM1WKDAY     | ALMPOL <sup>(3)</sup> | ALM1MSK2             | ALM1MSK1        | ALM1MSK0 | ALM1IF   | WKDAY2   | WKDAY1   | WKDAY0   |
| 15h  | ALM1DATE      | —                     | —                    | DATETEN1        | DATETEN0 | DATEONE3 | DATEONE2 | DATEONE1 | DATEONE0 |
| 16h  | ALM1MTH       | —                     | —                    | —               | MHTTEN0  | MTHONE3  | MTHONE2  | MTHONE1  | MTHONE0  |
| 17h  | Reserved      | Reserved – Do not use |                      |                 |          |          |          |          |          |
| <b>Section 5.7.1 "Power-Fail Time-Stamp"</b> |               |                       |                      |                 |          |          |          |          |          |
| 18h  | PWRDNMIN      | —                     | MINTEN2              | MINTEN1         | MINTEN0  | MINONE3  | MINONE2  | MINONE1  | MINONE0  |
| 19h  | PWRDNHOUR     | —                     | 12/24                | AM/PM<br>HRTEN1 | HRTEN0   | HRONE3   | HRONE2   | HRONE1   | HRONE0   |
| 1Ah  | PWRDNDATE     | —                     | —                    | DATETEN1        | DATETEN0 | DATEONE3 | DATEONE2 | DATEONE1 | DATEONE0 |
| 1Bh  | PWRDNMTH      | WKDAY2                | WKDAY1               | WKDAY0          | MHTTEN0  | MTHONE3  | MTHONE2  | MTHONE1  | MTHONE0  |
| <b>Section 5.7.1 "Power-Fail Time-Stamp"</b> |               |                       |                      |                 |          |          |          |          |          |
| 1Ch  | PWRUPMIN      | —                     | MINTEN2              | MINTEN1         | MINTEN0  | MINONE3  | MINONE2  | MINONE1  | MINONE0  |
| 1Dh  | PWRUPHOUR     | —                     | 12/24                | AM/PM<br>HRTEN1 | HRTEN0   | HRONE3   | HRONE2   | HRONE1   | HRONE0   |
| 1Eh  | PWRUPDATE     | —                     | —                    | DATETEN1        | DATETEN0 | DATEONE3 | DATEONE2 | DATEONE1 | DATEONE0 |
| 1Fh  | PWRUPMTH      | WKDAY2                | WKDAY1               | WKDAY0          | MHTTEN0  | MTHONE3  | MTHONE2  | MTHONE1  | MTHONE0  |

**Note 1:** Grey areas are unimplemented.

**2:** The 12/24 bits in the ALMxHOUR registers are read-only and reflect the value of the 12/24 bit in the RTCHOUR register.

**3:** The ALMPOL bit in the ALM1WKDAY register is read-only and reflects the value of the ALMPOL bit in the ALM0WKDAY register.

## 5.2 Oscillator Configuration

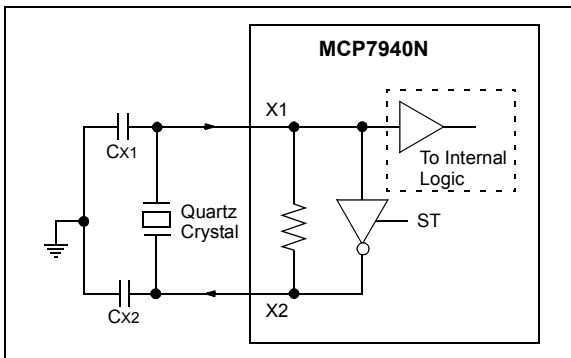
The MCP7940N can be operated in two different oscillator configurations: using an external crystal or using an external clock input.

### 5.2.1 EXTERNAL CRYSTAL

The crystal oscillator circuit on the MCP7940N is designed to operate with a standard 32.768 kHz tuning fork crystal and matching external load capacitors. By using external load capacitors, the MCP7940N allows for a wide selection of crystals. Suitable crystals have a load capacitance (CL) of 6-9 pF. Crystals with a load capacitance of 12.5 pF are not recommended.

Figure 5-2 shows the pin connections when using an external crystal.

**FIGURE 5-2: CRYSTAL OPERATION**



**Note 1:** The ST bit must be set to enable the crystal oscillator circuit.

**2:** Always verify oscillator performance over the voltage and temperature range that is expected for the application.

#### 5.2.1.1 Choosing Load Capacitors

CL is the effective load capacitance as seen by the crystal, and includes the physical load capacitors, pin capacitance, and stray board capacitance. Equation 5-1 can be used to calculate CL.

C<sub>X1</sub> and C<sub>X2</sub> are the external load capacitors. They must be chosen to match the selected crystal's specified load capacitance.

**Note:** If the load capacitance is not correctly matched to the chosen crystal's specified value, the crystal may give a frequency outside of the crystal manufacturer's specifications.

### EQUATION 5-1: LOAD CAPACITANCE CALCULATION

$$C_L = \frac{C_{X1} \times C_{X2}}{C_{X1} + C_{X2}} + C_{STRAY}$$

Where:

C<sub>L</sub> = Effective load capacitance

C<sub>X1</sub> = Capacitor value on X1 + COSC

C<sub>X2</sub> = Capacitor value on X2 + COSC

C<sub>STRAY</sub> = PCB stray capacitance

#### 5.2.1.2 Layout Considerations

The oscillator circuit should be placed on the same side of the board as the device. Place the oscillator circuit close to the respective oscillator pins. The load capacitors should be placed next to the oscillator itself, on the same side of the board.

Use a grounded copper pour around the oscillator circuit to isolate it from surrounding circuits. The grounded copper pour should be routed directly to VSS. Do not run any signal traces or power traces inside the ground pour. Also, if using a two-sided board, avoid any traces on the other side of the board where the crystal is placed.

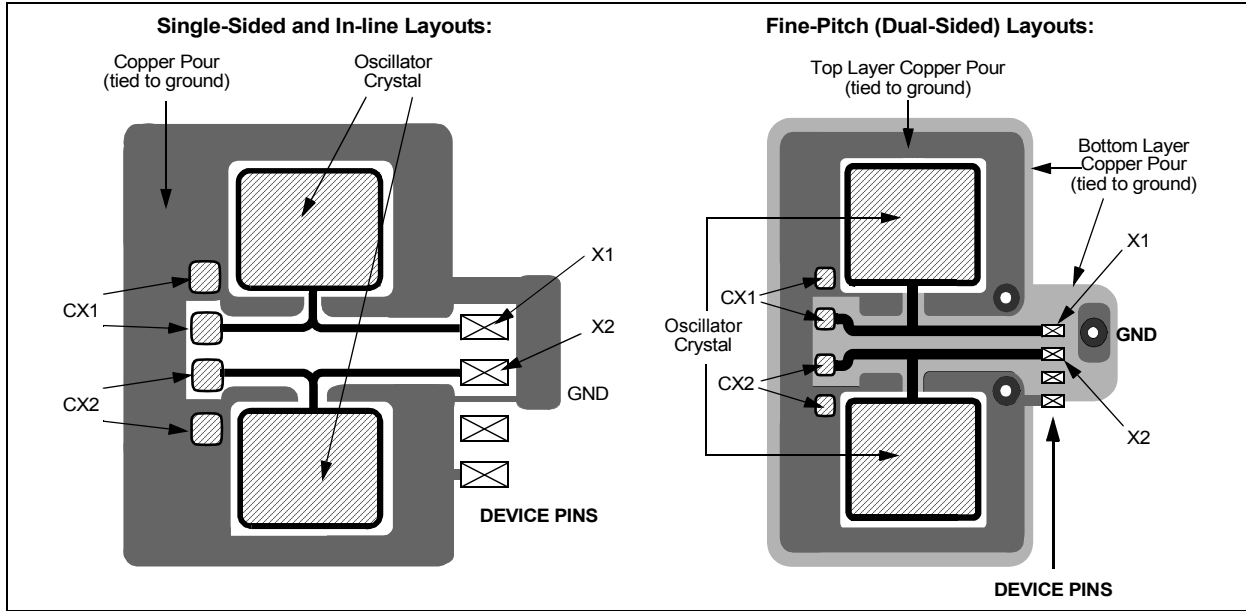
Layout suggestions are shown in Figure 5-3. In-line packages may be handled with a single-sided layout that completely encompasses the oscillator pins. With fine-pitch packages, it is not always possible to completely surround the pins and components. A suitable solution is to tie the broken guard sections to a mirrored ground layer. In all cases, the guard trace(s) must be returned to ground.

For additional information and design guidance on oscillator circuits, please refer to these Microchip Application Notes, available at the corporate web site ([www.microchip.com](http://www.microchip.com)):

- AN1365, "Recommended Usage of Microchip Serial RTCC Devices"
- AN1519, "Recommended Crystals for Microchip Stand-Alone Real-Time Clock Calendar Devices"

# MCP7940N

**FIGURE 5-3: SUGGESTED PLACEMENT OF THE OSCILLATOR CIRCUIT**

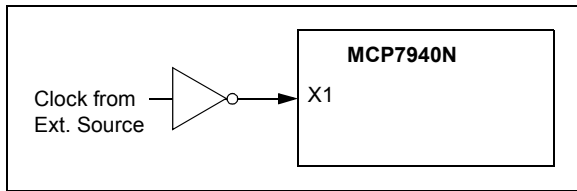


## 5.2.2 EXTERNAL CLOCK INPUT

A 32.768 kHz external clock source can be connected to the X1 pin (Figure 5-4). When using this configuration, the X2 pin should be left floating.

**Note:** The EXTOSC bit must be set to enable an external clock source.

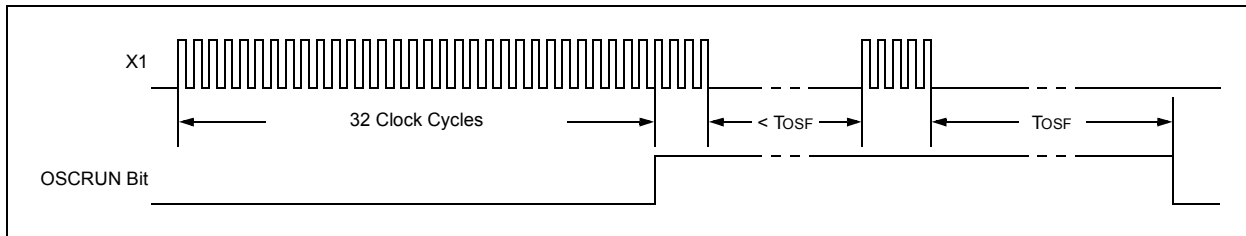
**FIGURE 5-4: EXTERNAL CLOCK INPUT OPERATION**



## 5.2.3 OSCILLATOR FAILURE STATUS

The MCP7940N features an oscillator failure flag, OSCRUN, that indicates whether or not the oscillator is running. The OSCRUN bit is automatically set after 32 oscillator cycles are detected. If no oscillator cycles are detected for more than TosF, then the OSCRUN bit is automatically cleared (Figure 5-5). This can occur if the oscillator is stopped by clearing the ST bit or due to oscillator failure.

**FIGURE 5-5: OSCILLATOR FAILURE STATUS TIMING DIAGRAM**



**TABLE 5-2: SUMMARY OF REGISTERS ASSOCIATED WITH OSCILLATOR CONFIGURATION**

| Name     | Bit 7 | Bit 6   | Bit 5   | Bit 4   | Bit 3   | Bit 2   | Bit 1   | Bit 0   | Register on Page |
|----------|-------|---------|---------|---------|---------|---------|---------|---------|------------------|
| RTCSEC   | ST    | SECTEN2 | SECTEN1 | SECTEN0 | SECONE3 | SECONE2 | SECONE1 | SECONE0 | 16               |
| RTCWKDAY | —     | —       | OSCRUN  | PWRFAIL | VBATEN  | WKDAY2  | WKDAY1  | WKDAY0  | 18               |
| CONTROL  | OUT   | SQWEN   | ALM1EN  | ALM0EN  | EXTOSC  | CRSTRIM | SQWFS1  | SQWFS0  | 26               |

**Legend:** — = unimplemented location, read as '0'. Shaded cells are not used by oscillator configuration.

## 5.3 Timekeeping

The MCP7940N maintains the current time and date using an external 32.768 kHz crystal or clock source. Separate registers are used for tracking seconds, minutes, hours, day of week, date, month, and year. The MCP7940N automatically adjusts for months with less than 31 days and compensates for leap years from 2001 to 2399. The year is stored as a two-digit value.

Both 12-hour and 24-hour time formats are supported and are selected using the 12/24 bit.

The day of week value counts from 1 to 7, increments at midnight, and the representation is user-defined (i.e., the MCP7940N does not require 1 to equal Sunday, etc.).

All time and date values are stored in the registers as binary-coded decimal (BCD) values. The MCP7940N will continue to maintain the time and date while operating off the backup supply.

When reading from the timekeeping registers, the registers are buffered to prevent errors due to rollover of counters. The following events cause the buffers to be updated:

- When a read is initiated from the RTCC registers (addresses 0x00 to 0x1F)
- During an RTCC register read operation, when the register address rolls over from 0x1F to 0x00

The timekeeping registers should be read in a single operation to utilize the on-board buffers and avoid rollover issues.

**Note 1:** Loading invalid values into the time and date registers will result in undefined operation.

- 2:** To avoid rollover issues when loading new time and date values, the oscillator/clock input should be disabled by clearing the ST bit for External Crystal mode and the EXTOSC bit for External Clock Input mode. After waiting for the OSCRUN bit to clear, the new values can be loaded and the ST or EXTOSC bit can then be re-enabled.

### 5.3.1 DIGIT CARRY RULES

The following list explains which timer values cause a digit carry when there is a rollover:

- Time of day: from 11:59:59 PM to 12:00:00 AM (12-hour mode) or 23:59:59 to 00:00:00 (24-hour mode), with a carry to the Date and Weekday fields
- Date: carries to the Month field according to Table 5-3
- Weekday: from 7 to 1 with no carry
- Month: from 12/31 to 01/01 with a carry to the Year field
- Year: from 99 to 00 with no carry

**TABLE 5-3: DAY TO MONTH ROLLOVER SCHEDULE**

| Month | Name      | Maximum Date            |
|-------|-----------|-------------------------|
| 01    | January   | 31                      |
| 02    | February  | 28 or 29 <sup>(1)</sup> |
| 03    | March     | 31                      |
| 04    | April     | 30                      |
| 05    | May       | 31                      |
| 06    | June      | 30                      |
| 07    | July      | 31                      |
| 08    | August    | 31                      |
| 09    | September | 30                      |
| 10    | October   | 31                      |
| 11    | November  | 30                      |
| 12    | December  | 31                      |

**Note 1:** 29 during leap years, otherwise 28.

# MCP7940N

## REGISTER 5-1: RTCSEC: TIMEKEEPING SECONDS VALUE REGISTER (ADDRESS 0x00)

| R/W-0 | R/W-0   | R/W-0   | R/W-0   | R/W-0   | R/W-0   | R/W-0   | R/W-0   |
|-------|---------|---------|---------|---------|---------|---------|---------|
| ST    | SECTEN2 | SECTEN1 | SECTEN0 | SECONE3 | SECONE2 | SECONE1 | SECONE0 |
| bit 7 |         |         |         |         |         |         | bit 0   |

### Legend:

R = Readable bit

W = Writable bit

U = Unimplemented bit, read as '0'

-n = Value at POR

'1' = Bit is set

'0' = Bit is clear

x = Bit is unknown

bit 7

**ST:** Start Oscillator bit

1 = Oscillator enabled

0 = Oscillator disabled

bit 6-4

**SECTEN<2:0>:** Binary-Coded Decimal Value of Second's Tens Digit

Contains a value from 0 to 5

bit 3-0

**SECONE<3:0>:** Binary-Coded Decimal Value of Second's Ones Digit

Contains a value from 0 to 9



## REGISTER 5-2: RTCMIN: TIMEKEEPING MINUTES VALUE REGISTER (ADDRESS 0x01)

| U-0   | R/W-0   | R/W-0   | R/W-0   | R/W-0   | R/W-0   | R/W-0   | R/W-0   |
|-------|---------|---------|---------|---------|---------|---------|---------|
| —     | MINTEN2 | MINTEN1 | MINTEN0 | MINONE3 | MINONE2 | MINONE1 | MINONE0 |
| bit 7 |         |         |         |         |         |         | bit 0   |

### Legend:

R = Readable bit                      W = Writable bit                      U = Unimplemented bit, read as '0'  
 -n = Value at POR                      '1' = Bit is set                      '0' = Bit is clear                      x = Bit is unknown

- bit 7                      **Unimplemented:** Read as '0'
- bit 6-4                      **MINTEN<2:0>:** Binary-Coded Decimal Value of Minute's Tens Digit  
Contains a value from 0 to 5
- bit 3-0                      **MINONE<3:0>:** Binary-Coded Decimal Value of Minute's Ones Digit  
Contains a value from 0 to 9

## REGISTER 5-3: RTCHOUR: TIMEKEEPING HOURS VALUE REGISTER (ADDRESS 0x02)

| U-0   | R/W-0 | R/W-0           | R/W-0  | R/W-0  | R/W-0  | R/W-0  | R/W-0  |
|-------|-------|-----------------|--------|--------|--------|--------|--------|
| —     | 12/24 | AM/PM<br>HRTEN1 | HRTEN0 | HRONE3 | HRONE2 | HRONE1 | HRONE0 |
| bit 7 |       |                 |        |        |        |        | bit 0  |

### Legend:

R = Readable bit                      W = Writable bit                      U = Unimplemented bit, read as '0'  
 -n = Value at POR                      '1' = Bit is set                      '0' = Bit is clear                      x = Bit is unknown

### If $\overline{12/24} = 1$ (12-hour format):

- bit 7                      **Unimplemented:** Read as '0'
- bit 6                      **12/24:** 12 or 24 Hour Time Format bit  
1 = 12-hour format  
0 = 24-hour format
- bit 5                      **AM/PM:** AM/PM Indicator bit  
1 = PM  
0 = AM
- bit 4                      **HRTEN0:** Binary-Coded Decimal Value of Hour's Tens Digit  
Contains a value from 0 to 1
- bit 3-0                      **HRONE<3:0>:** Binary-Coded Decimal Value of Hour's Ones Digit  
Contains a value from 0 to 9

### If $\overline{12/24} = 0$ (24-hour format):

- bit 7                      **Unimplemented:** Read as '0'
- bit 6                      **12/24:** 12 or 24 Hour Time Format bit  
1 = 12-hour format  
0 = 24-hour format
- bit 5-4                      **HRTEN<1:0>:** Binary-Coded Decimal Value of Hour's Tens Digit  
Contains a value from 0 to 2.
- bit 3-0                      **HRONE<3:0>:** Binary-Coded Decimal Value of Hour's Ones Digit  
Contains a value from 0 to 9

# MCP7940N

## REGISTER 5-4: RTCWKDAY: TIMEKEEPING WEEKDAY VALUE REGISTER (ADDRESS 0x03)

| U-0   | U-0 | R-0    | R/W-0   | R/W-0  | R/W-0  | R/W-0  | R/W-1  |
|-------|-----|--------|---------|--------|--------|--------|--------|
| —     | —   | OSCRUN | PWRFAIL | VBATEN | WKDAY2 | WKDAY1 | WKDAY0 |
| bit 7 |     |        |         |        |        |        | bit 0  |

### Legend:

R = Readable bit                      W = Writable bit                      U = Unimplemented bit, read as '0'  
 -n = Value at POR                      '1' = Bit is set                      '0' = Bit is clear                      x = Bit is unknown

- bit 7-6            **Unimplemented:** Read as '0'
- bit 5            **OSCRUN:** Oscillator Status bit  
                   1 = Oscillator is enabled and running  
                   0 = Oscillator has stopped or has been disabled
- bit 4            **PWRFAIL:** Power Failure Status bit<sup>(1,2)</sup>  
                   1 = Primary power was lost and the power-fail time-stamp registers have been loaded (must be cleared in software). Clearing this bit resets the power-fail time-stamp registers to '0'.  
                   0 = Primary power has not been lost
- bit 3            **VBATEN:** External Battery Backup Supply (VBAT) Enable bit  
                   1 = VBAT input is enabled  
                   0 = VBAT input is disabled
- bit 2-0        **WKDAY<2:0>:** Binary-Coded Decimal Value of Day of Week  
                   Contains a value from 1 to 7. The representation is user-defined.

**Note 1:** The PWRFAIL bit must be cleared to log new time-stamp data. This is to ensure previous time-stamp data is not lost.

**2:** The PWRFAIL bit cannot be written to a '1' in software. Writing to the RTCWKDAY register will always clear the PWRFAIL bit.

## REGISTER 5-5: RTCDATE: TIMEKEEPING DATE VALUE REGISTER (ADDRESS 0x04)

| U-0   | U-0 | R/W-0    | R/W-0    | R/W-0    | R/W-0    | R/W-0    | R/W-1    |
|-------|-----|----------|----------|----------|----------|----------|----------|
| —     | —   | DATETEN1 | DATETEN0 | DATEONE3 | DATEONE2 | DATEONE1 | DATEONE0 |
| bit 7 |     |          |          |          |          |          | bit 0    |

### Legend:

R = Readable bit                      W = Writable bit                      U = Unimplemented bit, read as '0'  
 -n = Value at POR                      '1' = Bit is set                      '0' = Bit is clear                      x = Bit is unknown

- bit 7-6            **Unimplemented:** Read as '0'
- bit 5-4            **DATETEN<1:0>:** Binary-Coded Decimal Value of Date's Tens Digit  
                   Contains a value from 0 to 3
- bit 3-0            **DATEONE<3:0>:** Binary-Coded Decimal Value of Date's Ones Digit  
                   Contains a value from 0 to 9

## REGISTER 5-6: RTCMTH: TIMEKEEPING MONTH VALUE REGISTER (ADDRESS 0x05)

|       |     |      |         |         |         |         |         |
|-------|-----|------|---------|---------|---------|---------|---------|
| U-0   | U-0 | R-0  | R/W-0   | R/W-0   | R/W-0   | R/W-0   | R/W-1   |
| —     | —   | LPYR | MHTTEN0 | MTHONE3 | MTHONE2 | MTHONE1 | MTHONE0 |
| bit 7 |     |      |         |         |         |         | bit 0   |

### Legend:

R = Readable bit                      W = Writable bit                      U = Unimplemented bit, read as '0'  
 -n = Value at POR                      '1' = Bit is set                      '0' = Bit is clear                      x = Bit is unknown

- bit 7-6            **Unimplemented:** Read as '0'
- bit 5            **LPYR:** Leap Year bit  
                   1 = Year is a leap year  
                   0 = Year is not a leap year
- bit 4            **MHTTEN0:** Binary-Coded Decimal Value of Month's Tens Digit  
                   Contains a value of 0 or 1
- bit 3-0        **MTHONE<3:0>:** Binary-Coded Decimal Value of Month's Ones Digit  
                   Contains a value from 0 to 9

## REGISTER 5-7: RTCYEAR: TIMEKEEPING YEAR VALUE REGISTER (ADDRESS 0x06)

|        |        |        |        |        |        |        |        |
|--------|--------|--------|--------|--------|--------|--------|--------|
| R/W-0  | R/W-0  | R/W-0  | R/W-0  | R/W-0  | R/W-0  | R/W-0  | R/W-1  |
| YRTEN3 | YRTEN2 | YRTEN1 | YRTEN0 | YRONE3 | YRONE2 | YRONE1 | YRONE0 |
| bit 7  |        |        |        |        |        |        | bit 0  |

### Legend:

R = Readable bit                      W = Writable bit                      U = Unimplemented bit, read as '0'  
 -n = Value at POR                      '1' = Bit is set                      '0' = Bit is clear                      x = Bit is unknown

- bit 7-4        **YRTEN<3:0>:** Binary-Coded Decimal Value of Year's Tens Digit  
                   Contains a value from 0 to 9
- bit 3-0        **YRONE<3:0>:** Binary-Coded Decimal Value of Year's Ones Digit  
                   Contains a value from 0 to 9

## TABLE 5-4: SUMMARY OF REGISTERS ASSOCIATED WITH TIMEKEEPING

| Name     | Bit 7  | Bit 6   | Bit 5           | Bit 4    | Bit 3    | Bit 2    | Bit 1    | Bit 0    | Register on Page |
|----------|--------|---------|-----------------|----------|----------|----------|----------|----------|------------------|
| RTCSEC   | ST     | SECTEN2 | SECTEN1         | SECTEN0  | SECON3   | SECON2   | SECON1   | SECON0   | 16               |
| RTCMIN   | —      | MINTEN2 | MINTEN1         | MINTEN0  | MINONE3  | MINONE2  | MINONE1  | MINONE0  | 17               |
| RTCHOUR  | —      | 12/24   | AM/PM<br>HRTEN1 | HRTEN0   | HRONE3   | HRONE2   | HRONE1   | HRONE0   | 17               |
| RTCWKDAY | —      | —       | OSCRUN          | PWRFAIL  | VBATEN   | WKDAY2   | WKDAY1   | WKDAY0   | 18               |
| RTCDATE  | —      | —       | DATETEN1        | DATETEN0 | DATEONE3 | DATEONE2 | DATEONE1 | DATEONE0 | 18               |
| RCMTH    | —      | —       | LPYR            | MHTTEN0  | MTHONE3  | MTHONE2  | MTHONE1  | MTHONE0  | 19               |
| RTCYEAR  | YRTEN3 | YRTEN2  | YRTEN1          | YRTEN0   | YRONE3   | YRONE2   | YRONE1   | YRONE0   | 19               |

**Legend:** — = unimplemented location, read as '0'. Shaded cells are not used in timekeeping.

# MCP7940N

## 5.4 Alarms

The MCP7940N features two independent alarms. Each alarm can be used to either generate an interrupt at a specific time in the future, or to generate a periodic interrupt every minute, hour, day, day of week, or month.

There is a separate interrupt flag, ALMxIF, for each alarm. The interrupt flags are set by hardware when the chosen alarm mask condition matches (Table 5-5). The interrupt flags must be cleared in software.

If either alarm module is enabled by setting the corresponding ALMxEN bit in the CONTROL register, and if the square wave clock output is disabled (SQWEN = 0), then the MFP will operate in Alarm Interrupt Output mode. Refer to Section 5.5 “Output Configurations” for details. The alarm interrupt output is available while operating from the backup power supply.

Both Alarm0 and Alarm1 offer identical operation. All time and date values are stored in the registers as binary-coded decimal (BCD) values.

**Note:** Throughout this section, references to the register and bit names for the alarm modules are referred to generically by the use of ‘x’ in place of the specific module number. Thus, “ALMxSEC” might refer to the seconds register for Alarm0 or Alarm1.

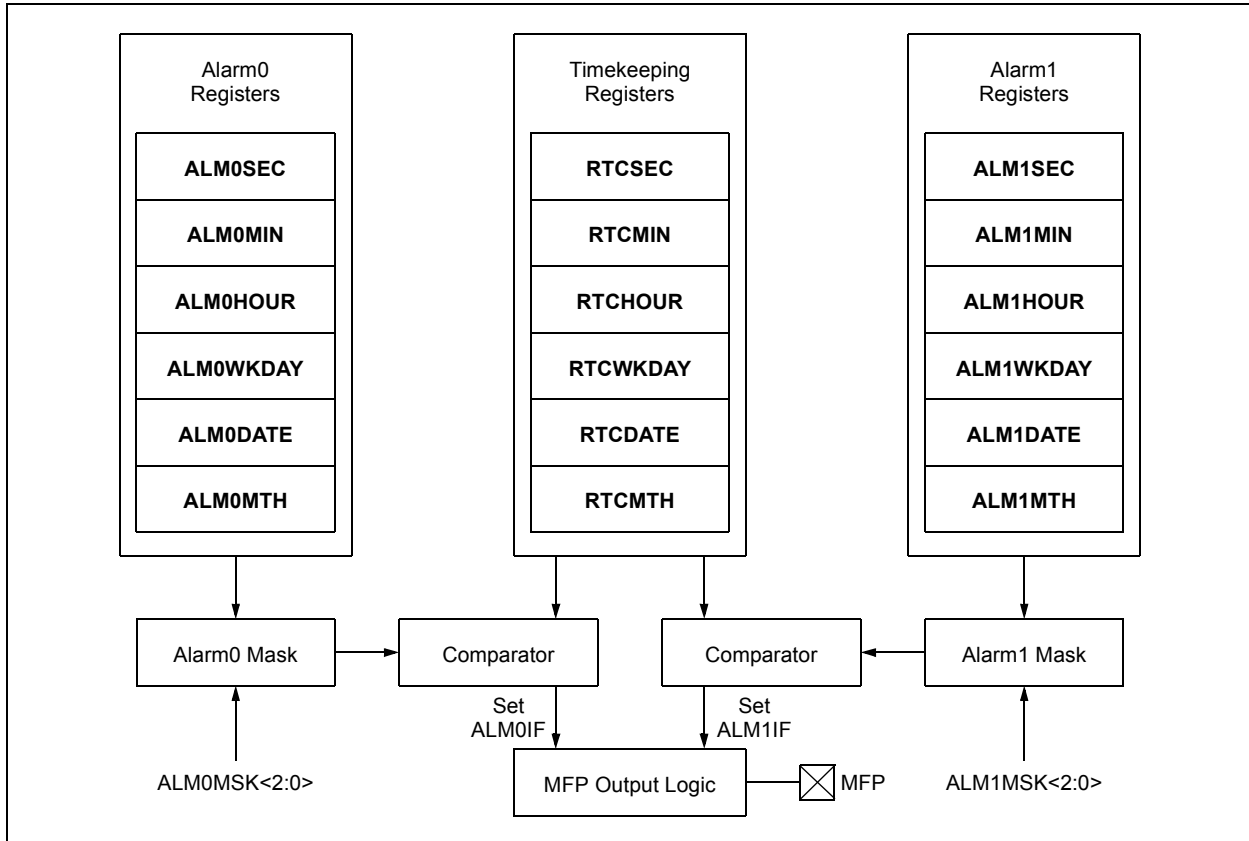
**TABLE 5-5: ALARM MASKS**

| ALMxMSK<2:0> | Alarm Asserts on Match of                             |
|--------------|---|
| 000          | Seconds   |
| 001          | Minutes   |
| 010          | Hours   |
| 011          | Day of Week   |
| 100          | Date  |
| 101          | Reserved  |
| 110          | Reserved  |
| 111          | Seconds, Minutes, Hours, Day of Week, Date, and Month |

**Note 1:** The alarm interrupt flags must be cleared by the user. If a flag is cleared while the corresponding alarm condition still matches, the flag will be set again, generating another interrupt.

**2:** Loading invalid values into the alarm registers will result in undefined operation.

**FIGURE 5-6: ALARM BLOCK DIAGRAM**



## 5.4.1 CONFIGURING THE ALARM

In order to configure the alarm modules, the following steps need to be performed:

1. Load the timekeeping registers and enable the oscillator
2. Configure the ALMxMSK<2:0> bits to select the desired alarm mask
3. Set or clear the ALMPOL bit according to the desired output polarity
4. Ensure the ALMxIF flag is cleared
5. Based on the selected alarm mask, load the alarm match value into the appropriate register(s)
6. Enable the alarm module by setting the ALMxEN bit

### REGISTER 5-8: ALMxSEC: ALARM0/1 SECONDS VALUE REGISTER (ADDRESSES 0x0A/0x11)

| U-0   | R/W-0   | R/W-0   | R/W-0   | R/W-0   | R/W-0   | R/W-0   | R/W-0   |
|-------|---------|---------|---------|---------|---------|---------|---------|
| —     | SECTEN2 | SECTEN1 | SECTEN0 | SECONE3 | SECONE2 | SECONE1 | SECONE0 |
| bit 7 |         |         |         |         |         |         | bit 0   |

#### Legend:

R = Readable bit                      W = Writable bit                      U = Unimplemented bit, read as '0'  
 -n = Value at POR                      '1' = Bit is set                      '0' = Bit is clear                      x = Bit is unknown

- bit 7                      **Unimplemented:** Read as '0'
- bit 6-4                      **SECTEN<2:0>:** Binary-Coded Decimal Value of Second's Tens Digit  
 Contains a value from 0 to 5
- bit 3-0                      **SECONE<3:0>:** Binary-Coded Decimal Value of Second's Ones Digit  
 Contains a value from 0 to 9

### REGISTER 5-9: ALMxMIN: ALARM0/1 MINUTES VALUE REGISTER (ADDRESSES 0x0B/0x12)

| U-0   | R/W-0   | R/W-0   | R/W-0   | R/W-0   | R/W-0   | R/W-0   | R/W-0   |
|-------|---------|---------|---------|---------|---------|---------|---------|
| —     | MINTEN2 | MINTEN1 | MINTEN0 | MINONE3 | MINONE2 | MINONE1 | MINONE0 |
| bit 7 |         |         |         |         |         |         | bit 0   |

#### Legend:

R = Readable bit                      W = Writable bit                      U = Unimplemented bit, read as '0'  
 -n = Value at POR                      '1' = Bit is set                      '0' = Bit is clear                      x = Bit is unknown

- bit 7                      **Unimplemented:** Read as '0'
- bit 6-4                      **MINTEN<2:0>:** Binary-Coded Decimal Value of Minute's Tens Digit  
 Contains a value from 0 to 5
- bit 3-0                      **MINONE<3:0>:** Binary-Coded Decimal Value of Minute's Ones Digit  
 Contains a value from 0 to 9

# MCP7940N

## REGISTER 5-10: ALMxHOUR: ALARM0/1 HOURS VALUE REGISTER (ADDRESSES 0x0C/0x13)

|       |       |                 |        |        |        |        |        |
|-------|-------|-----------------|--------|--------|--------|--------|--------|
| U-0   | R-0   | R/W-0           | R/W-0  | R/W-0  | R/W-0  | R/W-0  | R/W-0  |
| —     | 12/24 | AM/PM<br>HRTEN1 | HRTEN0 | HRONE3 | HRONE2 | HRONE1 | HRONE0 |
| bit 7 |       |                 |        |        |        |        | bit 0  |

### Legend:

R = Readable bit

W = Writable bit

U = Unimplemented bit, read as '0'

-n = Value at POR

'1' = Bit is set

'0' = Bit is clear

x = Bit is unknown

### If $\overline{12/24} = 1$ (12-hour format):

bit 7 **Unimplemented:** Read as '0'

bit 6 **12/24:** 12 or 24 Hour Time Format bit<sup>(1)</sup>

1 = 12-hour format

0 = 24-hour format

bit 5 **AM/PM:** AM/PM Indicator bit

1 = PM

0 = AM

bit 4 **HRTEN0:** Binary-Coded Decimal Value of Hour's Tens Digit

Contains a value from 0 to 1

bit 3-0 **HRONE<3:0>:** Binary-Coded Decimal Value of Hour's Ones Digit

Contains a value from 0 to 9

### If $\overline{12/24} = 0$ (24-hour format):

bit 7 **Unimplemented:** Read as '0'

bit 6 **12/24:** 12 or 24 Hour Time Format bit<sup>(1)</sup>

1 = 12-hour format

0 = 24-hour format

bit 5-4 **HRTEN<1:0>:** Binary-Coded Decimal Value of Hour's Tens Digit

Contains a value from 0 to 2.

bit 3-0 **HRONE<3:0>:** Binary-Coded Decimal Value of Hour's Ones Digit

Contains a value from 0 to 9

**Note 1:** This bit is read-only and reflects the value of the  $\overline{12/24}$  bit in the RTCHOUR register.

**REGISTER 5-11: ALMxWKDAY: ALARM0/1 WEEKDAY VALUE REGISTER (ADDRESSES 0x0D/0x14)**

|        |          |          |          |        |        |        |        |
|--------|----------|----------|----------|--------|--------|--------|--------|
| R/W-0  | R/W-0    | R/W-0    | R/W-0    | R/W-0  | R/W-0  | R/W-0  | R/W-1  |
| ALMPOL | ALMxMSK2 | ALMxMSK1 | ALMxMSK0 | ALMxIF | WKDAY2 | WKDAY1 | WKDAY0 |
| bit 7  |          |          |          |        |        |        | bit 0  |

|                   |                  |                                    |                    |
|-------------------|------------------|------------------------------------|--------------------|
| <b>Legend:</b>    |                  |                                    |                    |
| R = Readable bit  | W = Writable bit | U = Unimplemented bit, read as '0' |                    |
| -n = Value at POR | '1' = Bit is set | '0' = Bit is clear                 | x = Bit is unknown |

- bit 7      **ALMPOL:** Alarm Interrupt Output Polarity bit  
           1 = Asserted output state of MFP is a logic high level  
           0 = Asserted output state of MFP is a logic low level
  
- bit 6-4    **ALMxMSK<2:0>:** Alarm Mask bits  
           000 = Seconds match  
           001 = Minutes match  
           010 = Hours match (logic takes into account 12-/24-hour operation)  
           011 = Day of week match  
           100 = Date match  
           101 = Reserved; do not use  
           110 = Reserved; do not use  
           111 = Seconds, Minutes, Hour, Day of Week, Date and Month
  
- bit 3      **ALMxIF:** Alarm Interrupt Flag bit<sup>(1,2)</sup>  
           1 = Alarm match occurred (must be cleared in software)  
           0 = Alarm match did not occur
  
- bit 2-0    **WKDAY<2:0>:** Binary-Coded Decimal Value of Day bits  
           Contains a value from 1 to 7. The representation is user-defined.

- Note 1:** If a match condition still exists when this bit is cleared, it will be set again automatically.
- Note 2:** The ALMxIF bit cannot be written to a 1 in software. Writing to the ALMxWKDAY register will always clear the ALMxIF bit.

**REGISTER 5-12: ALMxDATE: ALARM0/1 DATE VALUE REGISTER (ADDRESSES 0x0E/0x15)**

|       |     |          |          |          |          |          |          |
|-------|-----|----------|----------|----------|----------|----------|----------|
| U-0   | U-0 | R/W-0    | R/W-0    | R/W-0    | R/W-0    | R/W-0    | R/W-1    |
| —     | —   | DATETEN1 | DATETEN0 | DATEONE3 | DATEONE2 | DATEONE1 | DATEONE0 |
| bit 7 |     |          |          |          |          |          | bit 0    |

|                   |                  |                                    |                    |
|-------------------|------------------|------------------------------------|--------------------|
| <b>Legend:</b>    |                  |                                    |                    |
| R = Readable bit  | W = Writable bit | U = Unimplemented bit, read as '0' |                    |
| -n = Value at POR | '1' = Bit is set | '0' = Bit is clear                 | x = Bit is unknown |

- bit 7-6    **Unimplemented:** Read as '0'
  
- bit 5-4    **DATETEN<1:0>:** Binary-Coded Decimal Value of Date's Tens Digit  
           Contains a value from 0 to 3
  
- bit 3-0    **DATEONE<3:0>:** Binary-Coded Decimal Value of Date's Ones Digit  
           Contains a value from 0 to 9

# MCP7940N

**REGISTER 5-13: ALMxMTH: ALARM0/1 MONTH VALUE REGISTER (ADDRESSES 0x0F/0x16)**

|       |     |     |         |         |         |         |         |
|-------|-----|-----|---------|---------|---------|---------|---------|
| U-0   | U-0 | U-0 | R/W-0   | R/W-0   | R/W-0   | R/W-0   | R/W-1   |
| —     | —   | —   | MHTTEN0 | MTHONE3 | MTHONE2 | MTHONE1 | MTHONE0 |
| bit 7 |     |     |         |         |         |         | bit 0   |

**Legend:**

R = Readable bit                      W = Writable bit                      U = Unimplemented bit, read as '0'  
 -n = Value at POR                      '1' = Bit is set                      '0' = Bit is clear                      x = Bit is unknown

- bit 7-5            **Unimplemented:** Read as '0'
- bit 4            **MHTTEN0:** Binary-Coded Decimal Value of Month's Tens Digit  
Contains a value of 0 or 1
- bit 3-0           **MTHONE<3:0>:** Binary-Coded Decimal Value of Month's Ones Digit  
Contains a value from 0 to 9

**TABLE 5-6: SUMMARY OF REGISTERS ASSOCIATED WITH ALARMS**

| Name      | Bit 7  | Bit 6    | Bit 5           | Bit 4    | Bit 3    | Bit 2    | Bit 1    | Bit 0    | Register on Page |
|-----------|--------|----------|-----------------|----------|----------|----------|----------|----------|------------------|
| ALM0SEC   | —      | SECTEN2  | SECTEN1         | SECTEN0  | SECONE3  | SECONE2  | SECONE1  | SECONE0  | 21               |
| ALM0MIN   | —      | MINTEN2  | MINTEN1         | MINTEN0  | MINONE3  | MINONE2  | MINONE1  | MINONE0  | 21               |
| ALM0HOUR  | —      | 12/24    | AM/PM<br>HRTEN1 | HRTEN0   | HRONE3   | HRONE2   | HRONE1   | HRONE0   | 22               |
| ALM0WKDAY | ALMPOL | ALM0MSK2 | ALM0MSK1        | ALM0MSK0 | ALM0IF   | WKDAY2   | WKDAY1   | WKDAY0   | 23               |
| ALM0DATE  | —      | —        | DATETEN1        | DATETEN0 | DATEONE3 | DATEONE2 | DATEONE1 | DATEONE0 | 23               |
| ALM0MTH   | —      | —        | —               | MHTTEN0  | MTHONE3  | MTHONE2  | MTHONE1  | MTHONE0  | 24               |
| ALM1SEC   | —      | SECTEN2  | SECTEN1         | SECTEN0  | SECONE3  | SECONE2  | SECONE1  | SECONE0  | 21               |
| ALM1MIN   | —      | MINTEN2  | MINTEN1         | MINTEN0  | MINONE3  | MINONE2  | MINONE1  | MINONE0  | 21               |
| ALM1HOUR  | —      | 12/24    | AM/PM<br>HRTEN1 | HRTEN0   | HRONE3   | HRONE2   | HRONE1   | HRONE0   | 22               |
| ALM1WKDAY | ALMPOL | ALM1MSK2 | ALM1MSK1        | ALM1MSK0 | ALM1IF   | WKDAY2   | WKDAY1   | WKDAY0   | 23               |
| ALM1DATE  | —      | —        | DATETEN1        | DATETEN0 | DATEONE3 | DATEONE2 | DATEONE1 | DATEONE0 | 23               |
| ALM1MTH   | —      | —        | —               | MHTTEN0  | MTHONE3  | MTHONE2  | MTHONE1  | MTHONE0  | 24               |
| CONTROL   | OUT    | SQWEN    | ALM1EN          | ALM0EN   | EXTOSC   | CRSTRIM  | SQWFS1   | SQWFS0   | 26               |

**Legend:** — = unimplemented location, read as '0'. Shaded cells are not used by alarms.



## 5.5 Output Configurations

The MCP7940N features Square Wave Clock Output, Alarm Interrupt Output, and General Purpose Output modes. All of the output functions are multiplexed onto MFP according to Table 5-7.

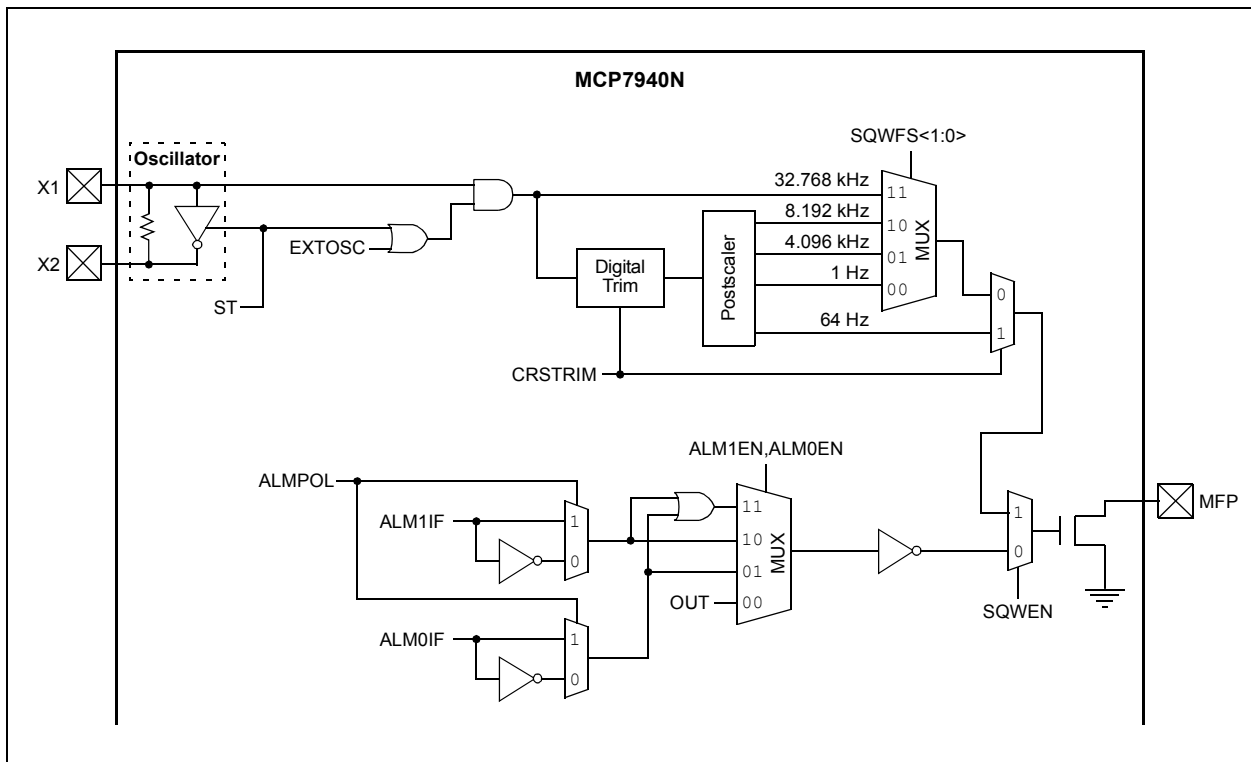
Only the alarm interrupt outputs are available while operating from the backup power supply. If none of the output functions are being used, the MFP can safely be left floating.

**Note:** The MFP is an open-drain output and requires a pull-up resistor to V<sub>CC</sub> (typically 10 k $\Omega$ ).

**TABLE 5-7: MFP OUTPUT MODES**

| SQWEN | ALM0EN | ALM1EN | Mode                     |
|-------|--------|--------|--------------------------|
| 0     | 0      | 0      | General Purpose Output   |
| 0     | 1      | 0      | Alarm Interrupt Output   |
| 0     | 0      | 1      |                          |
| 0     | 1      | 1      |                          |
| 1     | x      | x      | Square Wave Clock Output |

**FIGURE 5-7: MFP OUTPUT BLOCK DIAGRAM**



# MCP7940N

## REGISTER 5-14: CONTROL: RTCC CONTROL REGISTER (ADDRESS 0x07)

| R/W-1 | R/W-0 | R/W-0  | R/W-0  | R/W-0  | R/W-0   | R/W-0  | R/W-0  |
|-------|-------|--------|--------|--------|---------|--------|--------|
| OUT   | SQWEN | ALM1EN | ALM0EN | EXTOSC | CRSTRIM | SQWFS1 | SQWFS0 |
| bit 7 | bit 6 | bit 5  | bit 4  | bit 3  | bit 2   | bit 1  | bit 0  |

### Legend:

R = Readable bit                      W = Writable bit                      U = Unimplemented bit, read as '0'  
 -n = Value at POR                      '1' = Bit is set                      '0' = Bit is clear                      x = Bit is unknown

- bit 7            **OUT:** Logic Level for General Purpose Output bit  
Square Wave Clock Output Mode (SQWEN = 1):  
 Unused.  
Alarm Interrupt Output mode (ALM0EN = 1 or ALM1EN = 1):  
 Unused.  
General Purpose Output mode (SQWEN = 0, ALM0EN = 0, and ALM1EN = 0):  
 1 = MFP signal level is logic high  
 0 = MFP signal level is logic low
- bit 6            **SQWEN:** Square Wave Output Enable bit  
 1 = Enable Square Wave Clock Output mode  
 0 = Disable Square Wave Clock Output mode
- bit 5            **ALM1EN:** Alarm 1 Module Enable bit  
 1 = Alarm 1 enabled  
 0 = Alarm 1 disabled
- bit 4            **ALM0EN:** Alarm 0 Module Enable bit  
 1 = Alarm 0 enabled  
 0 = Alarm 0 disabled
- bit 3            **EXTOSC:** External Oscillator Input bit  
 1 = Enable X1 pin to be driven by external 32.768 kHz source  
 0 = Disable external 32.768 kHz input
- bit 2            **CRSTRIM:** Coarse Trim Mode Enable bit  
 Coarse Trim mode results in the MCP7940N applying digital trimming every 64 Hz clock cycle.  
 1 = Enable Coarse Trim mode. If SQWEN = 1, MFP will output trimmed 64 Hz<sup>(1)</sup> nominal clock signal.  
 0 = Disable Coarse Trim mode  
 See [Section 5.6 “Digital Trimming”](#) for details
- bit 1-0        **SQWFS<1:0>:** Square Wave Clock Output Frequency Select bits  
If SQWEN = 1 and CRSTRIM = 0:  
 Selects frequency of clock output on MFP  
 00 = 1 Hz<sup>(1)</sup>  
 01 = 4.096 kHz<sup>(1)</sup>  
 10 = 8.192 kHz<sup>(1)</sup>  
 11 = 32.768 kHz  
If SQWEN = 0 or CRSTRIM = 1:  
 Unused.

**Note 1:** The 8.192 kHz, 4.096 kHz, 64 Hz, and 1 Hz square wave clock output frequencies are affected by digital trimming.

## 5.5.1 SQUARE WAVE OUTPUT MODE

The MCP7940N can be configured to generate a square wave clock signal on MFP. The input clock frequency, FOSC, is divided according to the SQWFS<1:0> bits as shown in [Table 5-8](#).

The square wave output is not available when operating from the backup power supply.

**Note:** All of the clock output rates are affected by digital trimming except for the 1:1 postscaler value (SQWFS<1:0> = 00).

**TABLE 5-8: CLOCK OUTPUT RATES**

| SQWFS<1:0> | Postscaler | Nominal Frequency |
|------------|------------|-------------------|
| 00         | 1:1        | 32.768 kHz        |
| 01         | 1:4        | 8.192 kHz         |
| 10         | 1:8        | 4.096 kHz         |
| 11         | 1:32,768   | 1 Hz              |

**Note 1:** Nominal frequency assumes Fosc is 32.768 kHz.

## 5.5.2 ALARM INTERRUPT OUTPUT MODE

The MFP will provide an interrupt output when enabled alarms match and the square wave clock output is disabled. This prevents the user from having to poll the alarm interrupt flag to check for a match.

The alarm interrupt output is available when operating from the backup power supply.

The ALMxIF flags control when the MFP is asserted, as described in the following sections.

### 5.5.2.1 Single Alarm Operation

When only one alarm module is enabled, the MFP output is based on the corresponding ALMxIF flag and the ALMPOL flag. If ALMPOL = 1, the MFP output reflects the value of the ALMxIF flag. If ALMPOL = 0, the MFP output reflects the inverse of the ALMxIF flag ([Table 5-9](#)).

**TABLE 5-9: SINGLE ALARM OUTPUT TRUTH TABLE**

| ALMPOL | ALMxIF <sup>(1)</sup> | MFP |
|--------|-----------------------|-----|
| 0      | 0                     | 1   |
| 0      | 1                     | 0   |
| 1      | 0                     | 0   |
| 1      | 1                     | 1   |

**Note 1:** ALMxIF refers to the interrupt flag corresponding to the alarm module that is enabled.

### 5.5.2.2 Dual Alarm Operation

When both alarm modules are enabled, the MFP output is determined by a combination of the ALM0IF, ALM1IF, and ALMPOL flags.

If ALMPOL = 1, the ALM0IF and ALM1IF flags are OR'd together and the result is output on MFP. If ALMPOL = 0, the ALM0IF and ALM1IF flags are AND'd together, and the result is inverted and output on MFP ([Table 5-10](#)). This provides the user with flexible options for combining alarms.

**Note:** If ALMPOL = 0 and both alarms are enabled, the MFP will only assert when both ALM0IF and ALM1IF are set.

**TABLE 5-10: DUAL ALARM OUTPUT TRUTH TABLE**

| ALMPOL | ALM0IF | ALM1IF | MFP |
|--------|--------|--------|-----|
| 0      | 0      | 0      | 1   |
| 0      | 0      | 1      | 1   |
| 0      | 1      | 0      | 1   |
| 0      | 1      | 1      | 0   |
| 1      | 0      | 0      | 0   |
| 1      | 0      | 1      | 1   |
| 1      | 1      | 0      | 1   |
| 1      | 1      | 1      | 1   |

### 5.5.3 GENERAL PURPOSE OUTPUT MODE

If the square wave clock output and both alarm modules are disabled, the MFP acts as a general purpose output. The output logic level is controlled by the OUT bit.

The general purpose output is not available when operating from the backup power supply.

# MCP7940N

---

**TABLE 5-11: SUMMARY OF REGISTERS ASSOCIATED WITH OUTPUT CONFIGURATION**

| Name      | Bit 7  | Bit 6    | Bit 5    | Bit 4    | Bit 3  | Bit 2   | Bit 1  | Bit 0  | Register on Page |
|-----------|--------|----------|----------|----------|--------|---------|--------|--------|------------------|
| ALM0WKDAY | ALMPOL | ALM0MSK2 | ALM0MSK1 | ALM0MSK0 | ALM0IF | WKDAY2  | WKDAY1 | WKDAY0 | 23               |
| ALM1WKDAY | ALMPOL | ALM1MSK2 | ALM1MSK1 | ALM1MSK0 | ALM1IF | WKDAY2  | WKDAY1 | WKDAY0 | 23               |
| CONTROL   | OUT    | SQWEN    | ALM1EN   | ALM0EN   | EXTOSC | CRSTRIM | SQWFS1 | SQWFS0 | 26               |

**Legend:** — = unimplemented location, read as '0'. Shaded cells are not used in output configuration.

## 5.6 Digital Trimming

The MCP7940N features digital trimming to correct for inaccuracies of the external crystal or clock source, up to roughly  $\pm 129$  PPM when CRSTRIM = 0. In addition to compensating for intrinsic inaccuracies in the clock, this feature can also be used to correct for error due to temperature variation. This can enable the user to achieve high levels of accuracy across a wide temperature operating range.

Digital trimming consists of the MCP7940N periodically adding or subtracting clock cycles, resulting in small adjustments in the internal timing. The adjustment

occurs once per minute when CRSTRIM = 0. The SIGN bit specifies whether to add cycles or to subtract them. The TRIMVAL<6:0> bits are used to specify by how many clock cycles to adjust. Each step in the TRIMVAL<6:0> value equates to adding or subtracting two clock pulses to or from the 32.768 kHz clock signal. This results in a correction of roughly 1.017 PPM per step when CRSTRIM = 0. Setting TRIMVAL<6:0> to 0x00 disables digital trimming.

Digital trimming also occurs while operating off the backup supply.

### REGISTER 5-15: OSCTRIM: OSCILLATOR DIGITAL TRIM REGISTER (ADDRESS 0x08)

| R/W-0 | R/W-0    | R/W-0    | R/W-0    | R/W-0    | R/W-0    | R/W-0    | R/W-0    |
|-------|----------|----------|----------|----------|----------|----------|----------|
| SIGN  | TRIMVAL6 | TRIMVAL5 | TRIMVAL4 | TRIMVAL3 | TRIMVAL2 | TRIMVAL1 | TRIMVAL0 |
| bit 7 |          |          |          |          |          |          | bit 0    |

#### Legend:

R = Readable bit  
-n = Value at POR

W = Writable bit  
'1' = Bit is set

U = Unimplemented bit, read as '0'  
'0' = Bit is clear  
x = Bit is unknown

bit 7

**SIGN:** Trim Sign bit

1 = Add clocks to correct for slow time  
0 = Subtract clocks to correct for fast time

bit 6-0

**TRIMVAL<6:0>:** Oscillator Trim Value bits

When CRSTRIM = 0:

11111111 = Add or subtract 254 clock cycles every minute

11111110 = Add or subtract 252 clock cycles every minute

•

•

•

0000010 = Add or subtract 4 clock cycles every minute

0000001 = Add or subtract 2 clock cycles every minute

0000000 = Disable digital trimming

When CRSTRIM = 1:

11111111 = Add or subtract 254 clock cycles 128 times per second

11111110 = Add or subtract 252 clock cycles 128 times per second

•

•

•

0000010 = Add or subtract 4 clock cycles 128 times per second

0000001 = Add or subtract 2 clock cycles 128 times per second

0000000 = Disable digital trimming

# MCP7940N

## 5.6.1 CALIBRATION

In order to perform calibration, the number of error clock pulses per minute must be found and the corresponding trim value must be loaded into TRIMVAL<6:0>.

There are two methods for determining the trim value. The first method involves measuring an output frequency directly and calculating the deviation from ideal. The second method involves observing the number of seconds gained or lost over a period of time.

Once the OSCTRIM register has been loaded, digital trimming will automatically occur every minute.

### 5.6.1.1 Calibration by Measuring Frequency

To calibrate the MCP7940N by measuring the output frequency, perform the following steps:

1. Enable the crystal oscillator or external clock input by setting the ST bit or EXTOSC bit, respectively.
2. Ensure TRIMVAL<6:0> is reset to 0x00.
3. Select an output frequency by setting SQWFS<1:0>.
4. Set SQWEN to enable the square wave output.
5. Measure the resulting output frequency using a calibrated measurement tool, such as a frequency counter.
6. Calculate the number of error clocks per minute (see Equation 5-2).

#### EQUATION 5-2: CALCULATING TRIM VALUE FROM MEASURED FREQUENCY

$$\text{TRIMVAL}<6:0> = \frac{(F_{IDEAL} - F_{MEAS}) \cdot \frac{32768}{F_{IDEAL}} \cdot 60}{2}$$

Where:

$F_{IDEAL}$  = Ideal frequency based on SQWFS<1:0>

$F_{MEAS}$  = Measured frequency

- If the number of error clocks per minute is negative, then the oscillator is *faster* than ideal and the SIGN bit must be cleared.
  - If the number of error clocks per minute is positive, then the oscillator is *slower* than ideal and the SIGN bit must be set.
7. Load the correct value into TRIMVAL<6:0>.

**Note:** Using a lower output frequency and/or averaging the measured frequency over a number of clock pulses will reduce the effects of jitter and improve accuracy.

### 5.6.1.2 Calibration by Observing Time Deviation

To calibrate the MCP7940N by observing the deviation over time, perform the following steps:

1. Ensure TRIMVAL<6:0> is reset to 0x00.
2. Load the timekeeping registers to synchronize the MCP7940N with a known-accurate reference time.
3. Enable the crystal oscillator or external clock input by setting the ST bit or EXTOSC bit, respectively.
4. Observe how many seconds are gained or lost over a period of time (larger time periods offer more accuracy).
5. Calculate the PPM deviation (see Equation 5-3).

#### EQUATION 5-3: CALCULATING ERROR PPM

$$PPM = \frac{SecDeviation}{ExpectedSec} \cdot 1000000$$

Where:

$ExpectedSec$  = Number of seconds in chosen period

$SecDeviation$  = Number of seconds gained or lost

- If the MCP7940N has gained time relative to the reference clock, then the oscillator is *faster* than ideal and the SIGN bit must be cleared.
  - If the MCP7940N has lost time relative to the reference clock, then the oscillator is *slower* than ideal and the SIGN bit must be set.
6. Calculate the trim value (see Equation 5-4).

#### EQUATION 5-4: CALCULATING TRIM VALUE FROM ERROR PPM

$$\text{TRIMVAL}<6:0> = \frac{PPM \cdot 32768 \cdot 60}{1000000 \cdot 2}$$

7. Load the correct value into TRIMVAL<6:0>.

**Note 1:** Choosing a longer time period for observing deviation will improve accuracy.

**2:** Large temperature variations during the observation period can skew results.

## 5.6.2 COARSE TRIM MODE

When CRSTRIM = 1, Coarse Trim mode is enabled. While in this mode, the MCP7940N will apply trimming at a rate of 128 Hz. If SQWEN is set, the MFP will output a trimmed 64 Hz nominal clock signal.

Because trimming is applied at a rate of 128 Hz rather than once every minute, each step of the TRIMVAL<6:0> value has a significantly larger effect on the resulting time deviation and output clock frequency.

By monitoring the MFP output frequency while in this mode, the user can easily observe the TRIMVAL<6:0> value affecting the clock timing.

**Note 1:** The 64 Hz Coarse Trim mode square wave output is not available while operating from the backup power supply.

**2:** With Coarse Trim mode enabled, the TRIMVAL<6:0> value has a drastic effect on timing. Leaving the mode enabled during normal operation will likely result in inaccurate time.

**TABLE 5-12: SUMMARY OF REGISTERS ASSOCIATED WITH DIGITAL TRIMMING**

| Name    | Bit 7 | Bit 6    | Bit 5    | Bit 4    | Bit 3    | Bit 2    | Bit 1    | Bit 0    | Register on Page   |
|---------|-------|----------|----------|----------|----------|----------|----------|----------|--------------------|
| CONTROL | OUT   | SQWEN    | ALM1EN   | ALM0EN   | EXTOSC   | CRSTRIM  | SQWFS1   | SQWFS0   | <a href="#">26</a> |
| OSCTRIM | SIGN  | TRIMVAL6 | TRIMVAL5 | TRIMVAL4 | TRIMVAL3 | TRIMVAL2 | TRIMVAL1 | TRIMVAL0 | <a href="#">29</a> |

**Legend:** — = unimplemented location, read as '0'. Shaded cells are not used by digital trimming.

# MCP7940N

## 5.7 Battery Backup

The MCP7940N features a backup power supply input (VBAT) that can be used to provide power to the time-keeping circuitry, RTCC registers, and SRAM while primary power is unavailable. The MCP7940N will automatically switch to backup power when  $V_{CC}$  falls below  $V_{TRIP}$ , and back to  $V_{CC}$  when it is above  $V_{TRIP}$ .

The VBATEN bit must be set to enable the VBAT input.

The following functionality is maintained while operating on backup power:

- Timekeeping
- Alarms
- Alarm Output
- Digital Trimming
- RTCC Register and SRAM Contents

The following features are not available while operating on backup power:

- I<sup>2</sup>C Communication
- Square Wave Clock Output
- General Purpose Output

### 5.7.1 POWER-FAIL TIME-STAMP

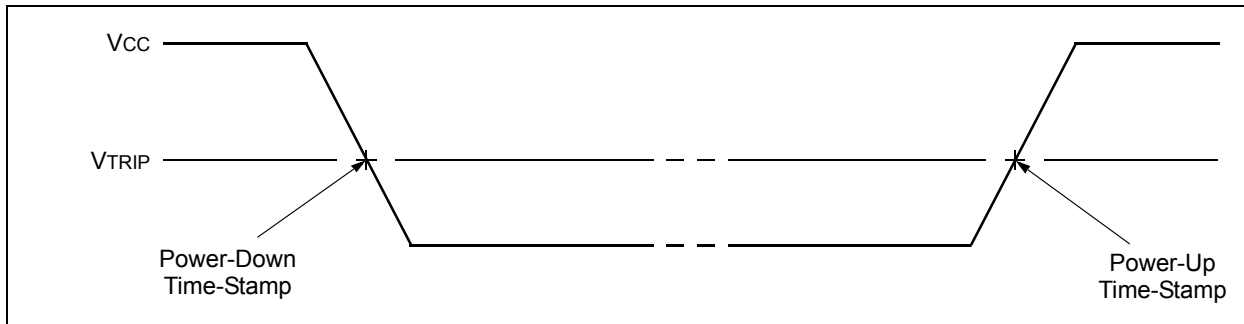
The MCP7940N includes a power-fail time-stamp module that stores the minutes, hours, date, and month when primary power is lost and when it is restored (Figure 5-8). The PWRFAIL bit is also set to indicate that a power failure occurred.

**Note:** Throughout this section, references to the register and bit names for the Power-Fail Time-Stamp module are referred to generically by the use of 'x' in place of the specific module name. Thus, "PWRxxMIN" might refer to the minutes register for Power-Down or Power-Up.

To utilize the power-fail time-stamp feature, a backup power supply must be available with the VBAT input enabled, and the oscillator should also be running to ensure accurate functionality.

- Note 1:** The PWRFAIL bit must be cleared to log new time-stamp data. This is to ensure previous time-stamp data is not lost.
- 2:** Clearing the PWRFAIL bit will clear all time-stamp registers.

**FIGURE 5-8: POWER-FAIL TIME-STAMP TIMING**





## REGISTER 5-16: PWR<sub>xx</sub>MIN: POWER-DOWN/POWER-UP TIME-STAMP MINUTES VALUE REGISTER (ADDRESSES 0x18/0x1C)

|       |         |         |         |         |         |         |         |
|-------|---------|---------|---------|---------|---------|---------|---------|
| U-0   | R/W-0   | R/W-0   | R/W-0   | R/W-0   | R/W-0   | R/W-0   | R/W-0   |
| —     | MINTEN2 | MINTEN1 | MINTEN0 | MINONE3 | MINONE2 | MINONE1 | MINONE0 |
| bit 7 |         |         |         |         |         |         | bit 0   |

### Legend:

R = Readable bit                      W = Writable bit                      U = Unimplemented bit, read as '0'  
 -n = Value at POR                      '1' = Bit is set                      '0' = Bit is clear                      x = Bit is unknown

- bit 7                      **Unimplemented:** Read as '0'
- bit 6-4                      **MINTEN<2:0>:** Binary-Coded Decimal Value of Minute's Tens Digit  
Contains a value from 0 to 5
- bit 3-0                      **MINONE<3:0>:** Binary-Coded Decimal Value of Minute's Ones Digit  
Contains a value from 0 to 9

## REGISTER 5-17: PWR<sub>xx</sub>HOUR: POWER-DOWN/POWER-UP TIME-STAMP HOURS VALUE REGISTER (ADDRESSES 0x19/0x1D)

|       |       |                 |        |        |        |        |        |
|-------|-------|-----------------|--------|--------|--------|--------|--------|
| U-0   | R/W-0 | R/W-0           | R/W-0  | R/W-0  | R/W-0  | R/W-0  | R/W-0  |
| —     | 12/24 | AM/PM<br>HRTEN1 | HRTEN0 | HRONE3 | HRONE2 | HRONE1 | HRONE0 |
| bit 7 |       |                 |        |        |        |        | bit 0  |

### Legend:

R = Readable bit                      W = Writable bit                      U = Unimplemented bit, read as '0'  
 -n = Value at POR                      '1' = Bit is set                      '0' = Bit is clear                      x = Bit is unknown

### If $\overline{12/24} = 1$ (12-hour format):

- bit 7                      **Unimplemented:** Read as '0'
- bit 6                      **12/24:** 12 or 24 Hour Time Format bit  
1 = 12-hour format  
0 = 24-hour format
- bit 5                      **AM/PM:** AM/PM Indicator bit  
1 = PM  
0 = AM
- bit 4                      **HRTEN0:** Binary-Coded Decimal Value of Hour's Tens Digit  
Contains a value from 0 to 1
- bit 3-0                      **HRONE<3:0>:** Binary-Coded Decimal Value of Hour's Ones Digit  
Contains a value from 0 to 9

### If $\overline{12/24} = 0$ (24-hour format):

- bit 7                      **Unimplemented:** Read as '0'
- bit 6                      **12/24:** 12 or 24 Hour Time Format bit  
1 = 12-hour format  
0 = 24-hour format
- bit 5-4                      **HRTEN<1:0>:** Binary-Coded Decimal Value of Hour's Tens Digit  
Contains a value from 0 to 2.
- bit 3-0                      **HRONE<3:0>:** Binary-Coded Decimal Value of Hour's Ones Digit  
Contains a value from 0 to 9

# MCP7940N

**REGISTER 5-18: PWR<sub>xx</sub>DATE: POWER-DOWN/POWER-UP TIME-STAMP DATE VALUE REGISTER (ADDRESSES 0x1A/0x1E)**

|       |     |          |          |          |          |          |          |
|-------|-----|----------|----------|----------|----------|----------|----------|
| U-0   | U-0 | R/W-0    | R/W-0    | R/W-0    | R/W-0    | R/W-0    | R/W-0    |
| —     | —   | DATETEN1 | DATETEN0 | DATEONE3 | DATEONE2 | DATEONE1 | DATEONE0 |
| bit 7 |     |          |          |          |          |          | bit 0    |

**Legend:**

R = Readable bit                      W = Writable bit                      U = Unimplemented bit, read as '0'  
 -n = Value at POR                      '1' = Bit is set                      '0' = Bit is clear                      x = Bit is unknown

- bit 7-6            **Unimplemented:** Read as '0'
- bit 5-4            **DATETEN<1:0>:** Binary-Coded Decimal Value of Date's Tens Digit  
Contains a value from 0 to 3
- bit 3-0            **DATEONE<3:0>:** Binary-Coded Decimal Value of Date's Ones Digit  
Contains a value from 0 to 9

**REGISTER 5-19: PWR<sub>xx</sub>MTH: POWER-DOWN/POWER-UP TIME-STAMP MONTH VALUE REGISTER (ADDRESSES 0x1B/0x1F)**

|        |        |        |         |         |         |         |         |
|--------|--------|--------|---------|---------|---------|---------|---------|
| R/W-0  | R/W-0  | R/W-0  | R/W-0   | R/W-0   | R/W-0   | R/W-0   | R/W-0   |
| WKDAY2 | WKDAY1 | WKDAY0 | MHTTEN0 | MTHONE3 | MTHONE2 | MTHONE1 | MTHONE0 |
| bit 7  |        |        |         |         |         |         | bit 0   |

**Legend:**

R = Readable bit                      W = Writable bit                      U = Unimplemented bit, read as '0'  
 -n = Value at POR                      '1' = Bit is set                      '0' = Bit is clear                      x = Bit is unknown

- bit 7-5            **WKDAY<2:0>:** Binary-Coded Decimal Value of Day bits  
Contains a value from 1 to 7. The representation is user-defined.
- bit 4              **MHTTEN0:** Binary-Coded Decimal Value of Month's Ones Digit  
Contains a value of 0 or 1
- bit 3-0            **MTHONE<3:0>:** Binary-Coded Decimal Value of Month's Ones Digit  
Contains a value from 0 to 9

**TABLE 5-13: SUMMARY OF REGISTERS ASSOCIATED WITH BATTERY BACKUP**

| Name      | Bit 7  | Bit 6   | Bit 5           | Bit 4    | Bit 3    | Bit 2    | Bit 1    | Bit 0    | Register on Page |
|-----------|--------|---------|-----------------|----------|----------|----------|----------|----------|------------------|
| RTCWKDAY  | —      | —       | OSCRUN          | PWRFAIL  | VBATEN   | WKDAY2   | WKDAY1   | WKDAY0   | 18               |
| PWRDNMIN  | —      | MINTEN2 | MINTEN1         | MINTEN0  | MINONE3  | MINONE2  | MINONE1  | MINONE0  | 33               |
| PWRDNHOUR | —      | 12/24   | AM/PM<br>HRTEN1 | HRTEN0   | HRONE3   | HRONE2   | HRONE1   | HRONE0   | 33               |
| PWRDNDATE | —      | —       | DATETEN1        | DATETEN0 | DATEONE3 | DATEONE2 | DATEONE1 | DATEONE0 | 34               |
| PWRDNMTH  | WKDAY2 | WKDAY1  | WKDAY0          | MHTTEN0  | MTHONE3  | MTHONE2  | MTHONE1  | MTHONE0  | 34               |
| PWRUPMIN  | —      | MINTEN2 | MINTEN1         | MINTEN0  | MINONE3  | MINONE2  | MINONE1  | MINONE0  | 33               |
| PWRUPHOUR | —      | 12/24   | AM/PM<br>HRTEN1 | HRTEN0   | HRONE3   | HRONE2   | HRONE1   | HRONE0   | 33               |
| PWRUPDATE | —      | —       | DATETEN1        | DATETEN0 | DATEONE3 | DATEONE2 | DATEONE1 | DATEONE0 | 34               |
| PWRUPMTH  | WKDAY2 | WKDAY1  | WKDAY0          | MHTTEN0  | MTHONE3  | MTHONE2  | MTHONE1  | MTHONE0  | 34               |

**Legend:** — = unimplemented location, read as '0'. Shaded cells are not used with battery backup.

## 6.0 ON-BOARD MEMORY

The MCP7940N has 64 bytes of SRAM for general purpose usage. It is retained when the primary power supply is removed if a backup supply is present and enabled.

Although the SRAM is a separate block from the RTCC registers, they are accessed using the same control byte, '1101111X'.

### 6.1 SRAM/RTCC Registers

The RTCC registers are located at addresses 0x00 to 0x1F, and the SRAM is located at addresses 0x20 to 0x5F. The SRAM can be accessed while the RTCC registers are being internally updated. The SRAM is not initialized by a Power-On Reset (POR).

Neither the RTCC registers nor the SRAM can be accessed when the device is operating off the backup power supply.

#### 6.1.1 SRAM/RTCC REGISTER BYTE WRITE

Following the Start condition from the master, the control code and the R/W bit (which is a logic low) are clocked onto the bus by the master transmitter. This indicates to the addressed slave receiver that the address byte will follow after it has generated an Acknowledge bit during the ninth clock cycle. Therefore, the next byte transmitted by the master is the address and will be written into the Address Pointer of the MCP7940N. After receiving another Acknowledge

bit from the MCP7940N, the master device transmits the data byte to be written into the addressed memory location. The MCP7940N stores the data byte into memory and acknowledges again, and the master generates a Stop condition (Figure 6-1).

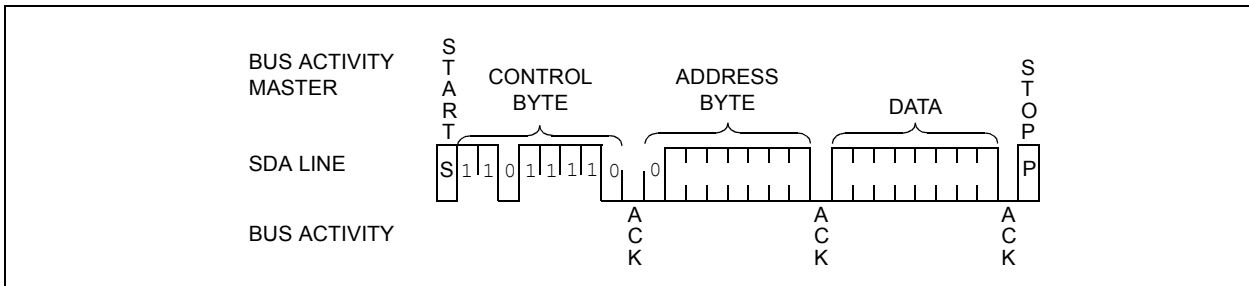
If an attempt is made to write to an address past 0x5F, the MCP7940N will not acknowledge the address or data bytes, and no data will be written. After a byte Write command, the internal Address Pointer will point to the address location following the one that was just written.

#### 6.1.2 SRAM/RTCC REGISTER SEQUENTIAL WRITE

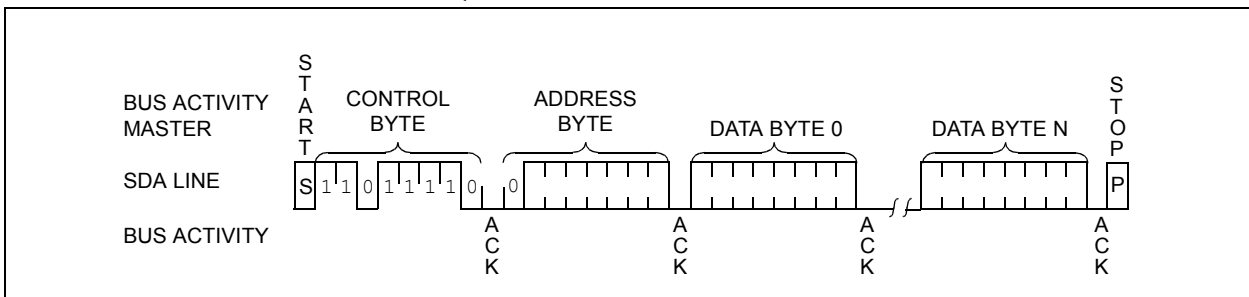
The write control byte, address, and the first data byte are transmitted to the MCP7940N in the same way as in a byte write. But instead of generating a Stop condition, the master transmits additional data bytes. Upon receipt of each byte, the MCP7940N responds with an Acknowledge, during which the data is latched into memory and the Address Pointer is internally incremented by one. As with the byte write operation, the master ends the command by generating a Stop condition (Figure 6-2).

There is no limit to the number of bytes that can be written in a single command. However, because the RTCC registers and SRAM are separate blocks, writing past the end of each block will cause the Address Pointer to roll over to the beginning of the same block. Specifically, the Address Pointer will roll over from 0x1F to 0x00, and from 0x5F to 0x20.

**FIGURE 6-1: SRAM/RTCC BYTE WRITE**



**FIGURE 6-2: SRAM/RTCC SEQUENTIAL WRITE**



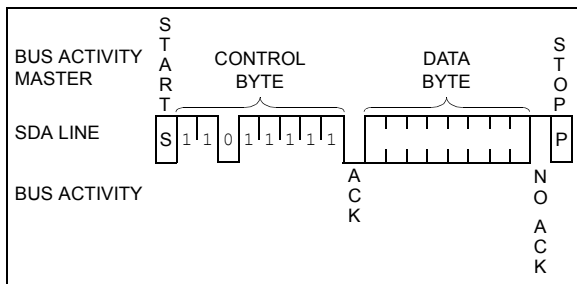
# MCP7940N

## 6.1.3 SRAM/RTCC REGISTER CURRENT ADDRESS READ

The MCP7940N contains an address counter that maintains the address of the last byte accessed, internally incremented by one. Therefore, if the previous read access was to address  $n$  ( $n$  is any legal address), the next current address read operation would access data from address  $n + 1$ .

Upon receipt of the control byte with  $R/\overline{W}$  bit set to '1', the MCP7940N issues an Acknowledge and transmits the 8-bit data word. The master will not acknowledge the transfer but does generate a Stop condition and the MCP7940N discontinues transmission (Figure 6-3).

**FIGURE 6-3: SRAM/RTCC CURRENT ADDRESS READ**



## 6.1.4 SRAM/RTCC REGISTER RANDOM READ

Random read operations allow the master to access any memory location in a random manner. To perform this type of read operation, first the address must be set. This is done by sending the address to the MCP7940N as part of a write operation ( $R/\overline{W}$  bit set to

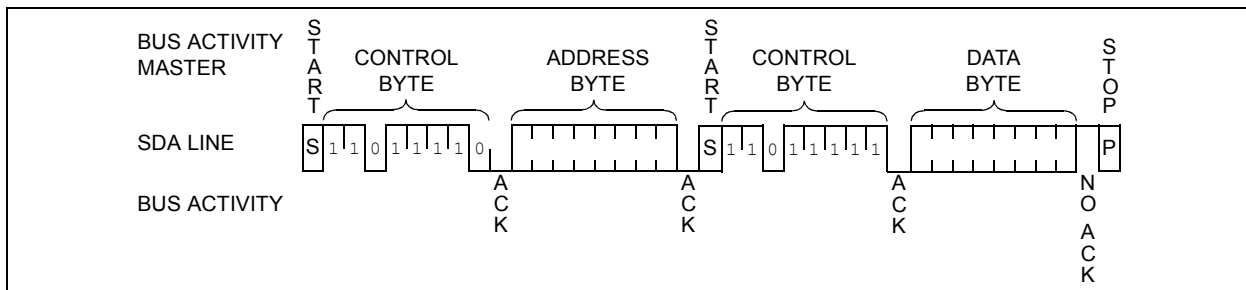
'0'). After the address is sent, the master generates a Start condition following the Acknowledge. This terminates the write operation, but not before the internal Address Pointer is set. Then, the master issues the control byte again but with the  $R/\overline{W}$  bit set to a '1'. The MCP7940N will then issue an Acknowledge and transmit the 8-bit data word. The master will not acknowledge the transfer but it does generate a Stop condition which causes the MCP7940N to discontinue transmission (Figure 6-4). After a random Read command, the internal address counter will point to the address location following the one that was just read.

## 6.1.5 SRAM/RTCC REGISTER SEQUENTIAL READ

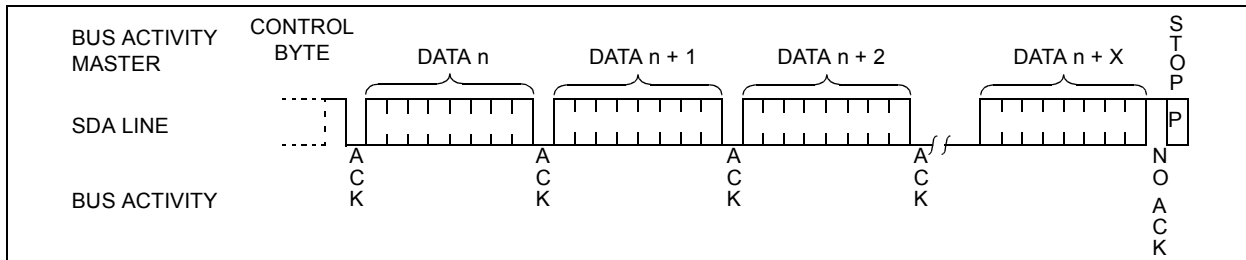
Sequential reads are initiated in the same way as a random read except that after the MCP7940N transmits the first data byte, the master issues an Acknowledge as opposed to the Stop condition used in a random read. This Acknowledge directs the MCP7940N to transmit the next sequentially addressed 8-bit word (Figure 6-5). Following the final byte transmitted to the master, the master will NOT generate an Acknowledge but will generate a Stop condition. To provide sequential reads, the MCP7940N contains an internal Address Pointer which is incremented by one at the completion of each operation. This Address Pointer allows the entire memory block to be serially read during one operation.

Because the RTCC registers and SRAM are separate blocks, reading past the end of each block will cause the Address Pointer to roll over to the beginning of the same block. Specifically, the Address Pointer will roll over from 0x1F to 0x00, and from 0x5F to 0x20.

**FIGURE 6-4: SRAM/RTCC RANDOM READ**

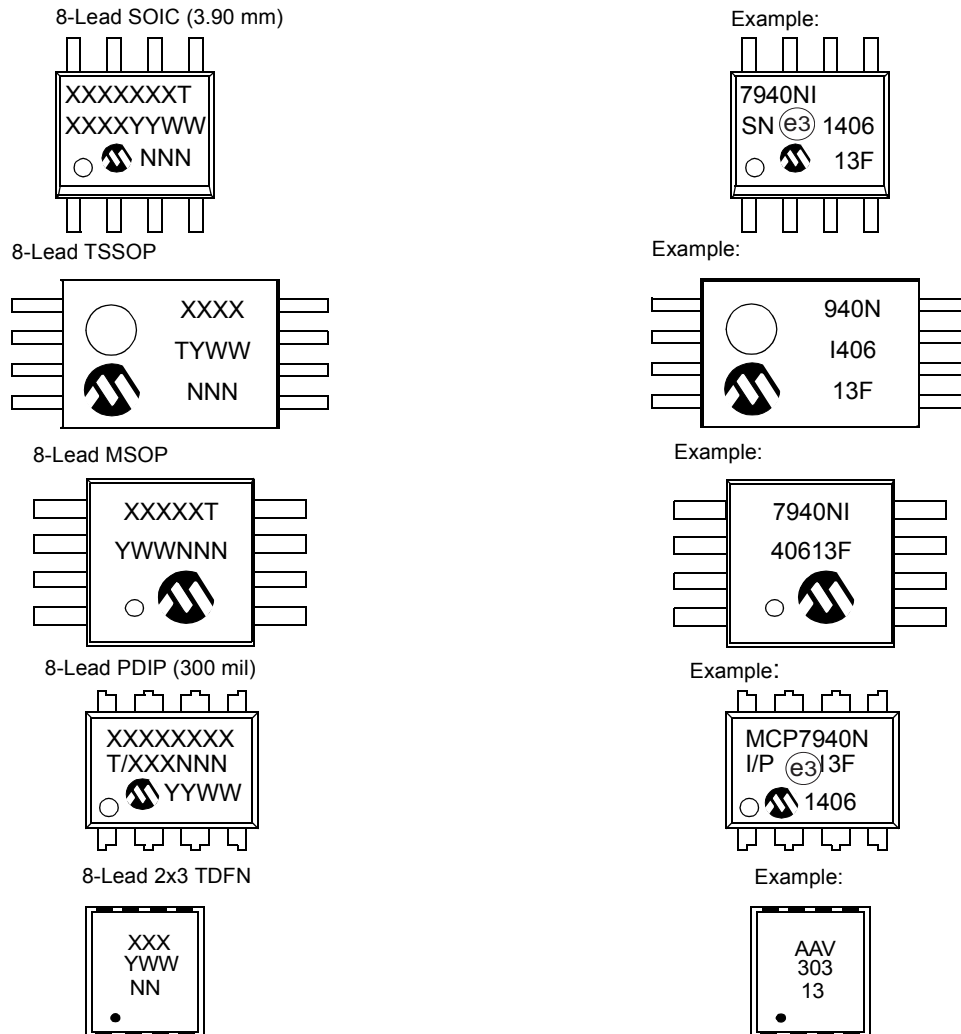


**FIGURE 6-5: SRAM/RTCC SEQUENTIAL READ**



## 7.0 PACKAGING INFORMATION

### 7.1 Package Marking Information



| Part Number | 1st Line Marking Codes |       |        |      |          |
|-------------|------------------------|-------|--------|------|----------|
|             | SOIC                   | TSSOP | MSOP   | TDFN | PDIP     |
| MCP7940N    | 7940NT                 | 940N  | 7940NT | AAV  | MCP7940N |

T = Temperature grade

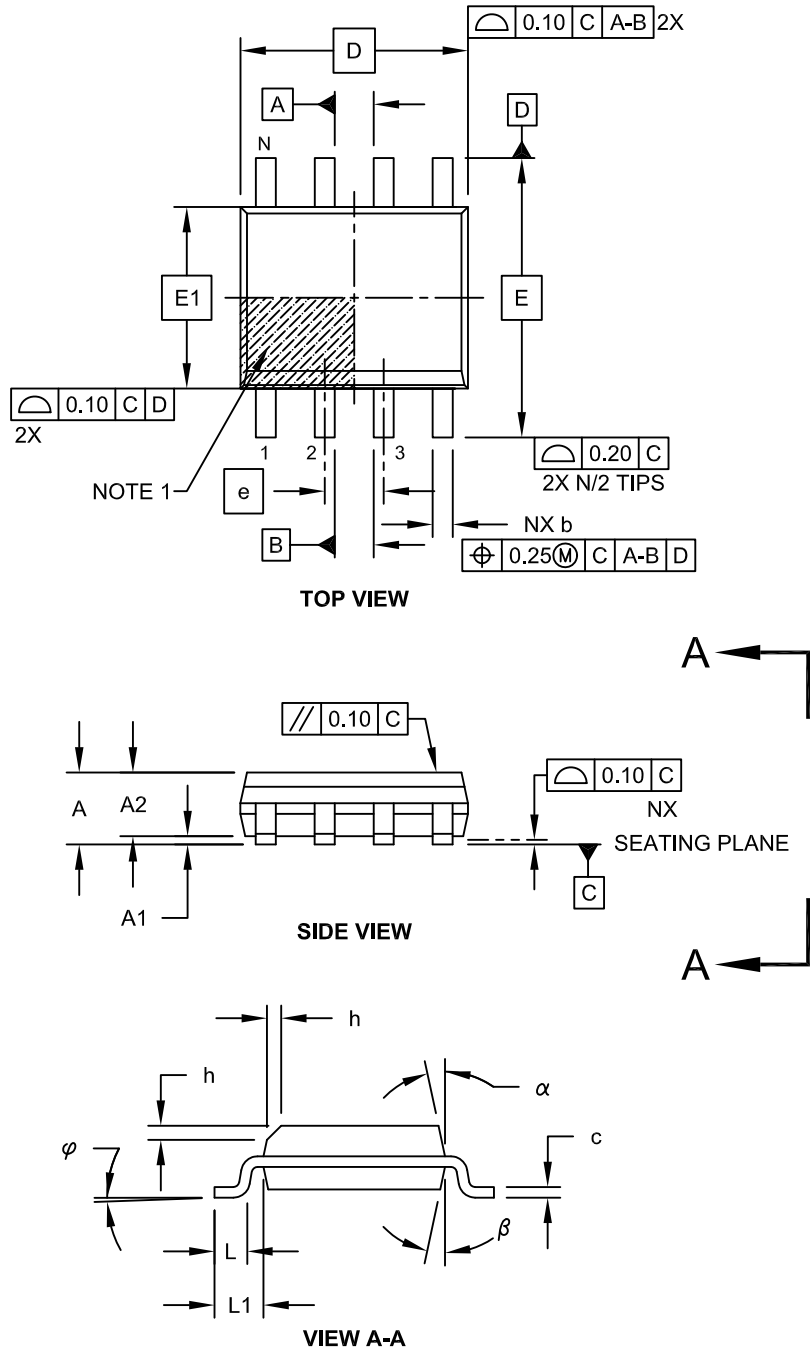
|                |        |   |
|----------------|--------|---|
| <b>Legend:</b> | XX...X | Customer-specific information   |
|                | Y      | Year code (last digit of calendar year)   |
|                | YY     | Year code (last 2 digits of calendar year)  |
|                | WW     | Week code (week of January 1 is week '01')  |
|                | NNN    | Alphanumeric traceability code  |
|                | e3     | JEDEC® designator for Matte Tin (Sn)  |
|                | *      | This package is RoHS compliant. The JEDEC designator (e3) can be found on the outer packaging for this package. |

**Note:** In the event the full Microchip part number cannot be marked on one line, it will be carried over to the next line, thus limiting the number of available characters for customer-specific information.

# MCP7940N

## 8-Lead Plastic Small Outline (SN) - Narrow, 3.90 mm Body [SOIC]

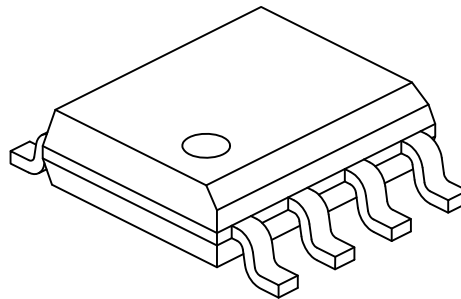
**Note:** For the most current package drawings, please see the Microchip Packaging Specification located at <http://www.microchip.com/packaging>



Microchip Technology Drawing No. C04-057C Sheet 1 of 2

## 8-Lead Plastic Small Outline (SN) - Narrow, 3.90 mm Body [SOIC]

**Note:** For the most current package drawings, please see the Microchip Packaging Specification located at <http://www.microchip.com/packaging>



| Dimension Limits         | Units | MILLIMETERS |     |      |
|--------------------------|-------|-------------|-----|------|
|                          |       | MIN         | NOM | MAX  |
| Number of Pins           | N     | 8           |     |      |
| Pitch                    | e     | 1.27 BSC    |     |      |
| Overall Height           | A     | -           | -   | 1.75 |
| Molded Package Thickness | A2    | 1.25        | -   | -    |
| Standoff §               | A1    | 0.10        | -   | 0.25 |
| Overall Width            | E     | 6.00 BSC    |     |      |
| Molded Package Width     | E1    | 3.90 BSC    |     |      |
| Overall Length           | D     | 4.90 BSC    |     |      |
| Chamfer (Optional)       | h     | 0.25        | -   | 0.50 |
| Foot Length              | L     | 0.40        | -   | 1.27 |
| Footprint                | L1    | 1.04 REF    |     |      |
| Foot Angle               | φ     | 0°          | -   | 8°   |
| Lead Thickness           | c     | 0.17        | -   | 0.25 |
| Lead Width               | b     | 0.31        | -   | 0.51 |
| Mold Draft Angle Top     | α     | 5°          | -   | 15°  |
| Mold Draft Angle Bottom  | β     | 5°          | -   | 15°  |

**Notes:**

1. Pin 1 visual index feature may vary, but must be located within the hatched area.
2. § Significant Characteristic
3. Dimensions D and E1 do not include mold flash or protrusions. Mold flash or protrusions shall not exceed 0.15mm per side.
4. Dimensioning and tolerancing per ASME Y14.5M

BSC: Basic Dimension. Theoretically exact value shown without tolerances.

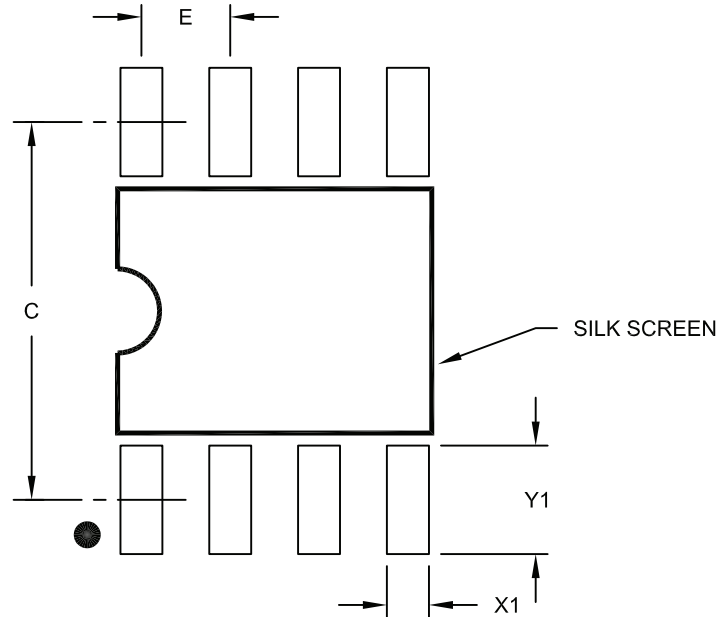
REF: Reference Dimension, usually without tolerance, for information purposes only.

Microchip Technology Drawing No. C04-057C Sheet 2 of 2

# MCP7940N

## 8-Lead Plastic Small Outline (SN) – Narrow, 3.90 mm Body [SOIC]

**Note:** For the most current package drawings, please see the Microchip Packaging Specification located at <http://www.microchip.com/packaging>



RECOMMENDED LAND PATTERN

|                         |    | Units | MILLIMETERS |      |      |
|-------------------------|----|-------|-------------|------|------|
| Dimension Limits        |    |       | MIN         | NOM  | MAX  |
| Contact Pitch           | E  |       | 1.27 BSC    |      |      |
| Contact Pad Spacing     | C  |       |             | 5.40 |      |
| Contact Pad Width (X8)  | X1 |       |             |      | 0.60 |
| Contact Pad Length (X8) | Y1 |       |             |      | 1.55 |

Notes:

1. Dimensioning and tolerancing per ASME Y14.5M

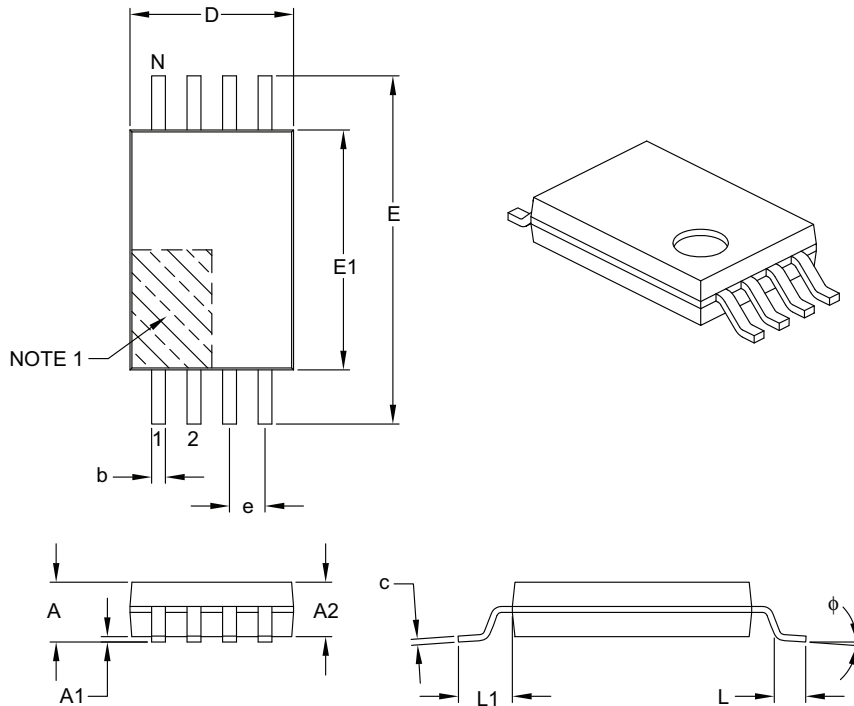
BSC: Basic Dimension. Theoretically exact value shown without tolerances.

Microchip Technology Drawing No. C04-2057A



## 8-Lead Plastic Thin Shrink Small Outline (ST) – 4.4 mm Body [TSSOP]

**Note:** For the most current package drawings, please see the Microchip Packaging Specification located at <http://www.microchip.com/packaging>



| Dimension Limits         | Units  | MILLIMETERS |      |      |
|--------------------------|--------|-------------|------|------|
|                          |        | MIN         | NOM  | MAX  |
| Number of Pins           | N      | 8           |      |      |
| Pitch                    | e      | 0.65 BSC    |      |      |
| Overall Height           | A      | –           | –    | 1.20 |
| Molded Package Thickness | A2     | 0.80        | 1.00 | 1.05 |
| Standoff                 | A1     | 0.05        | –    | 0.15 |
| Overall Width            | E      | 6.40 BSC    |      |      |
| Molded Package Width     | E1     | 4.30        | 4.40 | 4.50 |
| Molded Package Length    | D      | 2.90        | 3.00 | 3.10 |
| Foot Length              | L      | 0.45        | 0.60 | 0.75 |
| Footprint                | L1     | 1.00 REF    |      |      |
| Foot Angle               | $\phi$ | 0°          | –    | 8°   |
| Lead Thickness           | c      | 0.09        | –    | 0.20 |
| Lead Width               | b      | 0.19        | –    | 0.30 |

**Notes:**

- Pin 1 visual index feature may vary, but must be located within the hatched area.
- Dimensions D and E1 do not include mold flash or protrusions. Mold flash or protrusions shall not exceed 0.15 mm per side.
- Dimensioning and tolerancing per ASME Y14.5M.

BSC: Basic Dimension. Theoretically exact value shown without tolerances.

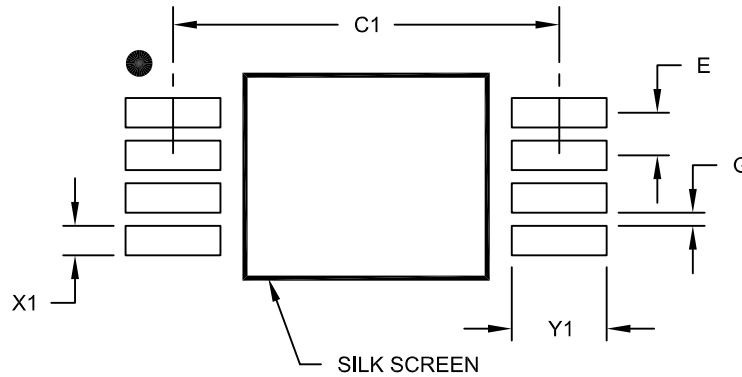
REF: Reference Dimension, usually without tolerance, for information purposes only.

Microchip Technology Drawing C04-086B

# MCP7940N

## 8-Lead Plastic Thin Shrink Small Outline (ST) - 4.4 mm Body [TSSOP]

**Note:** For the most current package drawings, please see the Microchip Packaging Specification located at <http://www.microchip.com/packaging>



### RECOMMENDED LAND PATTERN

| Dimension Limits        | Units | MILLIMETERS |      |      |
|-------------------------|-------|-------------|------|------|
|                         |       | MIN         | NOM  | MAX  |
| Contact Pitch           | E     | 0.65 BSC    |      |      |
| Contact Pad Spacing     | C1    |             | 5.90 |      |
| Contact Pad Width (X8)  | X1    |             |      | 0.45 |
| Contact Pad Length (X8) | Y1    |             |      | 1.45 |
| Distance Between Pads   | G     | 0.20        |      |      |

**Notes:**

1. Dimensioning and tolerancing per ASME Y14.5M

BSC: Basic Dimension. Theoretically exact value shown without tolerances.

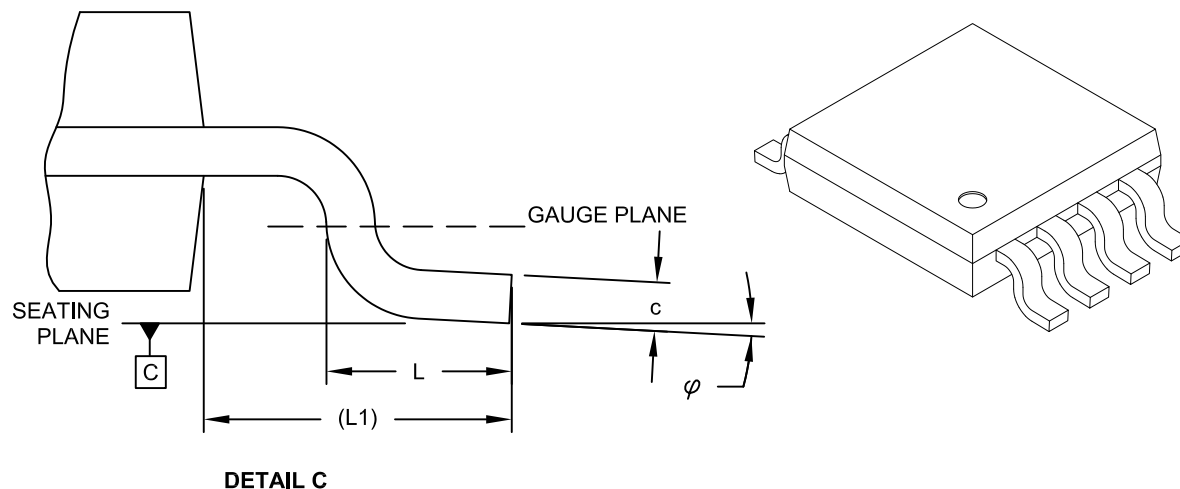
Microchip Technology Drawing No. C04-2086A



# MCP7940N

## 8-Lead Plastic Micro Small Outline Package (MS) [MSOP]

**Note:** For the most current package drawings, please see the Microchip Packaging Specification located at <http://www.microchip.com/packaging>



| Dimension Limits         | Units | MILLIMETERS |      |      |
|--------------------------|-------|-------------|------|------|
|                          |       | MIN         | NOM  | MAX  |
| Number of Pins           | N     |             | 8    |      |
| Pitch                    | e     | 0.65 BSC    |      |      |
| Overall Height           | A     | -           | -    | 1.10 |
| Molded Package Thickness | A2    | 0.75        | 0.85 | 0.95 |
| Standoff                 | A1    | 0.00        | -    | 0.15 |
| Overall Width            | E     | 4.90 BSC    |      |      |
| Molded Package Width     | E1    | 3.00 BSC    |      |      |
| Overall Length           | D     | 3.00 BSC    |      |      |
| Foot Length              | L     | 0.40        | 0.60 | 0.80 |
| Footprint                | L1    | 0.95 REF    |      |      |
| Foot Angle               | φ     | 0°          | -    | 8°   |
| Lead Thickness           | c     | 0.08        | -    | 0.23 |
| Lead Width               | b     | 0.22        | -    | 0.40 |

**Notes:**

1. Pin 1 visual index feature may vary, but must be located within the hatched area.
2. Dimensions D and E1 do not include mold flash or protrusions. Mold flash or protrusions shall not exceed 0.15mm per side.
3. Dimensioning and tolerancing per ASME Y14.5M.

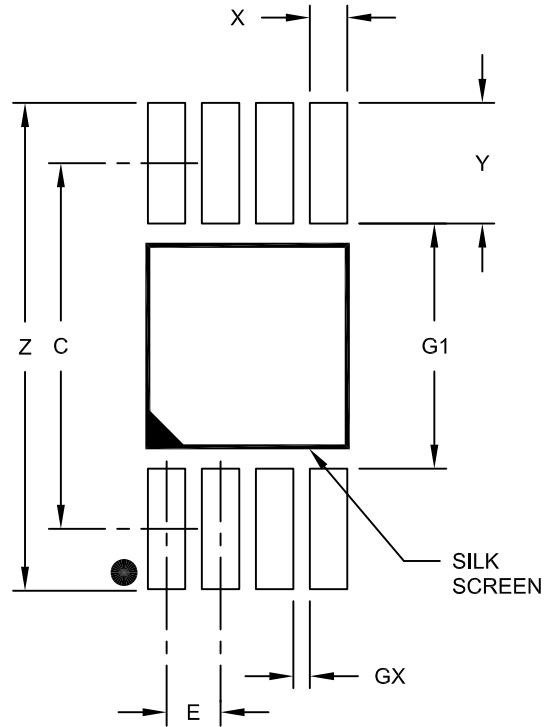
BSC: Basic Dimension. Theoretically exact value shown without tolerances.

REF: Reference Dimension, usually without tolerance, for information purposes only.

Microchip Technology Drawing C04-111C Sheet 2 of 2

## 8-Lead Plastic Micro Small Outline Package (MS) [MSOP]

**Note:** For the most current package drawings, please see the Microchip Packaging Specification located at <http://www.microchip.com/packaging>



RECOMMENDED LAND PATTERN

| Dimension Limits        | Units | MILLIMETERS |      |      |
|-------------------------|-------|-------------|------|------|
|                         |       | MIN         | NOM  | MAX  |
| Contact Pitch           | E     | 0.65 BSC    |      |      |
| Contact Pad Spacing     | C     |             | 4.40 |      |
| Overall Width           | Z     |             |      | 5.85 |
| Contact Pad Width (X8)  | X1    |             |      | 0.45 |
| Contact Pad Length (X8) | Y1    |             |      | 1.45 |
| Distance Between Pads   | G1    | 2.95        |      |      |
| Distance Between Pads   | GX    | 0.20        |      |      |

Notes:

1. Dimensioning and tolerancing per ASME Y14.5M

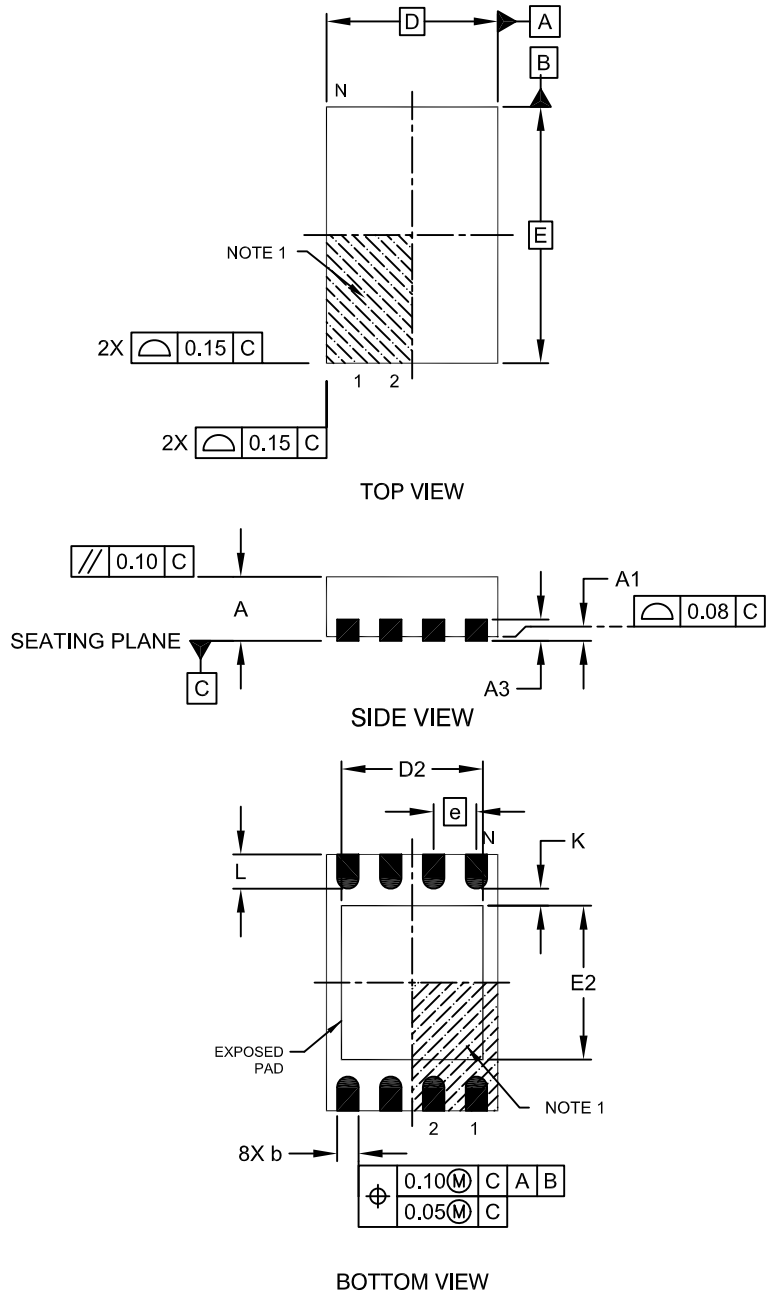
BSC: Basic Dimension. Theoretically exact value shown without tolerances.

Microchip Technology Drawing No. C04-2111A

# MCP7940N

## 8-Lead Plastic Dual Flat, No Lead Package (MN) – 2x3x0.75mm Body [TDFN]

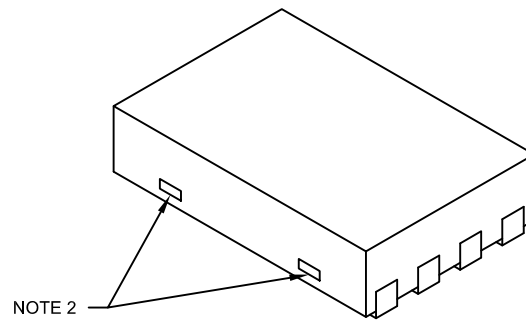
**Note:** For the most current package drawings, please see the Microchip Packaging Specification located at <http://www.microchip.com/packaging>



Microchip Technology Drawing No. C04-129C

## 8-Lead Plastic Dual Flat, No Lead Package (MN) – 2x3x0.75mm Body [TDFN]

**Note:** For the most current package drawings, please see the Microchip Packaging Specification located at <http://www.microchip.com/packaging>



| Dimension Limits       | Units | MILLIMETERS |      |      |
|------------------------|-------|-------------|------|------|
|                        |       | MIN         | NOM  | MAX  |
| Number of Pins         | N     | 8           |      |      |
| Pitch                  | e     | 0.50 BSC    |      |      |
| Overall Height         | A     | 0.70        | 0.75 | 0.80 |
| Standoff               | A1    | 0.00        | 0.02 | 0.05 |
| Contact Thickness      | A3    | 0.20 REF    |      |      |
| Overall Length         | D     | 2.00 BSC    |      |      |
| Overall Width          | E     | 3.00 BSC    |      |      |
| Exposed Pad Length     | D2    | 1.20        | -    | 1.60 |
| Exposed Pad Width      | E2    | 1.20        | -    | 1.60 |
| Contact Width          | b     | 0.20        | 0.25 | 0.30 |
| Contact Length         | L     | 0.25        | 0.30 | 0.45 |
| Contact-to-Exposed Pad | K     | 0.20        | -    | -    |

**Notes:**

1. Pin 1 visual index feature may vary, but must be located within the hatched area.
2. Package may have one or more exposed tie bars at ends.
3. Package is saw singulated
4. Dimensioning and tolerancing per ASME Y14.5M

BSC: Basic Dimension. Theoretically exact value shown without tolerances.

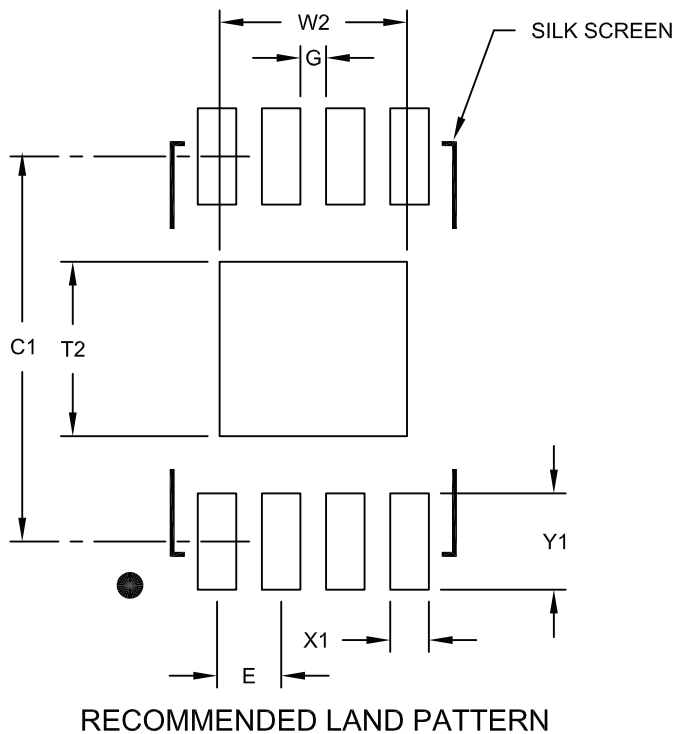
REF: Reference Dimension, usually without tolerance, for information purposes only.

Microchip Technology Drawing No. C04-129C Sheet 2 of 2

# MCP7940N

## 8-Lead Plastic Dual Flat, No Lead Package (MN) – 2x3x0.75 mm Body [TDFN]

**Note:** For the most current package drawings, please see the Microchip Packaging Specification located at <http://www.microchip.com/packaging>



| Dimension Limits           |    | MILLIMETERS |      |      |
|----------------------------|----|-------------|------|------|
|                            |    | MIN         | NOM  | MAX  |
| Contact Pitch              | E  | 0.50 BSC    |      |      |
| Optional Center Pad Width  | W2 |             |      | 1.46 |
| Optional Center Pad Length | T2 |             |      | 1.36 |
| Contact Pad Spacing        | C1 |             | 3.00 |      |
| Contact Pad Width (X8)     | X1 |             |      | 0.30 |
| Contact Pad Length (X8)    | Y1 |             |      | 0.75 |
| Distance Between Pads      | G  | 0.20        |      |      |

**Notes:**

1. Dimensioning and tolerancing per ASME Y14.5M

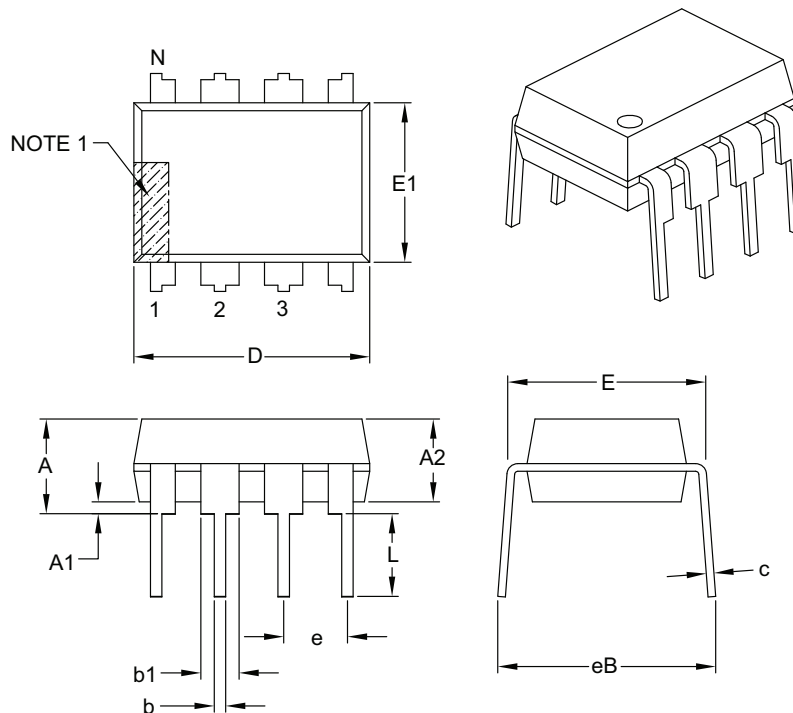
BSC: Basic Dimension. Theoretically exact value shown without tolerances.

Microchip Technology Drawing No. C04-2129A



## 8-Lead Plastic Dual In-Line (P) – 300 mil Body [PDIP]

**Note:** For the most current package drawings, please see the Microchip Packaging Specification located at <http://www.microchip.com/packaging>



| Dimension Limits           | Units | INCHES   |      |      |
|----------------------------|-------|----------|------|------|
|                            |       | MIN      | NOM  | MAX  |
| Number of Pins             | N     | 8        |      |      |
| Pitch                      | e     | .100 BSC |      |      |
| Top to Seating Plane       | A     | –        | –    | .210 |
| Molded Package Thickness   | A2    | .115     | .130 | .195 |
| Base to Seating Plane      | A1    | .015     | –    | –    |
| Shoulder to Shoulder Width | E     | .290     | .310 | .325 |
| Molded Package Width       | E1    | .240     | .250 | .280 |
| Overall Length             | D     | .348     | .365 | .400 |
| Tip to Seating Plane       | L     | .115     | .130 | .150 |
| Lead Thickness             | c     | .008     | .010 | .015 |
| Upper Lead Width           | b1    | .040     | .060 | .070 |
| Lower Lead Width           | b     | .014     | .018 | .022 |
| Overall Row Spacing §      | eB    | –        | –    | .430 |

**Notes:**

- Pin 1 visual index feature may vary, but must be located with the hatched area.
- § Significant Characteristic.
- Dimensions D and E1 do not include mold flash or protrusions. Mold flash or protrusions shall not exceed .010" per side.
- Dimensioning and tolerancing per ASME Y14.5M.

BSC: Basic Dimension. Theoretically exact value shown without tolerances.

Microchip Technology Drawing C04-018B

# MCP7940N

## APPENDIX A: REVISION HISTORY

### Revision A (04/2011)

Original release of this document.

### Revision B (09/2011)

- Added [Figure 1-2](#)
- Added Parameter D15 to [Table 1-1](#)
- Added [Section 3.3 “Oscillator Input/Output \(X1, X2\)”](#), [Section 3.4 “Multifunction Pin \(MFP\)”](#), [Section 3.5 “Backup Supply \(Vbat\)”](#)
- Added [Figure 5-1](#)
- Updated [Section 5.2.3 “Oscillator Failure Status”](#), [Section 5.2.4 “Crystal Specs”](#), [Section 5.2.5 “Power-fail Time-stamp”](#).

### Revision C (12/2011)

Added DC/AC Char. Charts.

### Revision D (11/2012)

Added Extended Temp.

### Revision E (01/2013)

Revised Table 1-2: AC Characteristics; temperature range

### Revision F (03/2014)

Updated overall content for improved clarity. Added detailed descriptions of registers. Updated block diagram and application schematic.

Defined names for all bits and registers, and renamed the bits shown in [Table 7-1](#) for clarification.

Renamed the DC characteristics shown in [Table 7-2](#) for clarification.

**TABLE 7-1: BIT NAME CHANGES**

| Old Bit Name | New Bit Name |
|--------------|--------------|
| OSCON        | OSCRUN       |
| VBAT         | PWRFAIL      |
| LP           | LPYR         |
| SQWE         | SQWEN        |
| ALM0         | ALM0EN       |
| ALM1         | ALM1EN       |
| RS0          | SQWFS0       |
| RS1          | SQWFS1       |
| RS2          | CRSTRIM      |
| CALIBRATION  | TRIMVAL<6:0> |
| ALM0POL      | ALMPOL       |
| ALM1POL      | ALMPOL       |
| ALM0C<2:0>   | ALM0MSK<2:0> |
| ALM1C<2:0>   | ALM1MSK<2:0> |

**TABLE 7-2: DC CHARACTERISTIC NAME CHANGES**

| Old Name               | Old Symbol | New Name                                    | New Symbol |
|------------------------|------------|---|------------|
| Operating current SRAM | ICC Read   | SRAM/RTCC register operating current        | ICCREAD    |
|                        | ICC Write  |   | ICCWITE    |
| Operating current      | IVCC       | Timekeeping current                         | ICCT       |
|                        | IBAT       | Timekeeping backup current                  | IBATT      |
| Standby current        | ICCS       | VCC data retention current (oscillator off) | ICCDAT     |

## THE MICROCHIP WEB SITE

Microchip provides online support via our WWW site at [www.microchip.com](http://www.microchip.com). This web site is used as a means to make files and information easily available to customers. Accessible by using your favorite Internet browser, the web site contains the following information:

- **Product Support** – Data sheets and errata, application notes and sample programs, design resources, user's guides and hardware support documents, latest software releases and archived software
- **General Technical Support** – Frequently Asked Questions (FAQ), technical support requests, online discussion groups, Microchip consultant program member listing
- **Business of Microchip** – Product selector and ordering guides, latest Microchip press releases, listing of seminars and events, listings of Microchip sales offices, distributors and factory representatives

## CUSTOMER CHANGE NOTIFICATION SERVICE

Microchip's customer notification service helps keep customers current on Microchip products. Subscribers will receive e-mail notification whenever there are changes, updates, revisions or errata related to a specified product family or development tool of interest.

To register, access the Microchip web site at [www.microchip.com](http://www.microchip.com). Under "Support", click on "Customer Change Notification" and follow the registration instructions.

## CUSTOMER SUPPORT

Users of Microchip products can receive assistance through several channels:

- Distributor or Representative
- Local Sales Office
- Field Application Engineer (FAE)
- Technical Support

Customers should contact their distributor, representative or Field Application Engineer (FAE) for support. Local sales offices are also available to help customers. A listing of sales offices and locations is included in the back of this document.

**Technical support is available through the web site at: <http://microchip.com/support>**

# MCP7940N

---

NOTES:

## PRODUCT IDENTIFICATION SYSTEM

To order or obtain information, e.g., on pricing or delivery, refer to the factory or the listed sales office. Not every possible ordering combination is listed below.

| <u>PART NO.</u>  | <u>X</u>          | <u>/XX</u> |
|--|-------------------|------------|
| Device   | Temperature Range | Package    |
| <p><b>Device:</b> MCP7940N = 1.8V - 5.5V I<sup>2</sup>C™ Serial RTCC<br/> MCP7940NT= 1.8V - 5.5V I<sup>2</sup>C Serial RTCC<br/> (Tape and Reel)</p> <p><b>Temperature Range:</b> I = -40°C to +85°C<br/> E = -40°C to +125°C</p> <p><b>Package:</b> SN = 8-Lead Plastic Small Outline (3.90 mm body)<br/> ST = 8-Lead Plastic Thin Shrink Small Outline<br/> (4.4 mm body, I-temp only)<br/> MS = 8-Lead Plastic Micro Small Outline<br/> MNY<sup>(1)</sup> = 8-Lead Plastic Dual Flat, No Lead (I-temp only)<br/> P = 8-Lead Plastic PDIP (300 mil body, I-temp only)</p>  |                   |            |
| <p><b>Examples:</b></p> <p>a) MCP7940N-I/SN: Industrial Temperature, SOIC package.</p> <p>b) MCP7940NT-I/SN: Industrial Temperature, SOIC package, Tape and Reel.</p> <p>c) MCP7940NT-I/MNY: Industrial Temperature, TDFN package, Tape and Reel.</p> <p>d) MCP7940N-I/P: Industrial Temperature, PDIP package.</p> <p>e) MCP7940N-E/MS: Extended Temperature, MSOP package.</p> <p>f) MCP7940NT-E/MS: Extended Temperature, MSOP package, Tape and Reel.</p> <p>g) MCP7940NT-I/ST: Industrial Temperature, TSSOP package, Tape and Reel.</p> <p>h) MCP7940NT-E/SN: Extended Temperature, SOIC package, Tape and Reel.</p> |                   |            |
| <p><b>Note 1:</b> "Y" indicates a Nickel Palladium Gold (NiPdAu) finish.</p>   |                   |            |

# MCP7940N

---

NOTES:

---

**Note the following details of the code protection feature on Microchip devices:**

- Microchip products meet the specification contained in their particular Microchip Data Sheet.
- Microchip believes that its family of products is one of the most secure families of its kind on the market today, when used in the intended manner and under normal conditions.
- There are dishonest and possibly illegal methods used to breach the code protection feature. All of these methods, to our knowledge, require using the Microchip products in a manner outside the operating specifications contained in Microchip's Data Sheets. Most likely, the person doing so is engaged in theft of intellectual property.
- Microchip is willing to work with the customer who is concerned about the integrity of their code.
- Neither Microchip nor any other semiconductor manufacturer can guarantee the security of their code. Code protection does not mean that we are guaranteeing the product as “unbreakable.”

Code protection is constantly evolving. We at Microchip are committed to continuously improving the code protection features of our products. Attempts to break Microchip's code protection feature may be a violation of the Digital Millennium Copyright Act. If such acts allow unauthorized access to your software or other copyrighted work, you may have a right to sue for relief under that Act.

---

Information contained in this publication regarding device applications and the like is provided only for your convenience and may be superseded by updates. It is your responsibility to ensure that your application meets with your specifications. MICROCHIP MAKES NO REPRESENTATIONS OR WARRANTIES OF ANY KIND WHETHER EXPRESS OR IMPLIED, WRITTEN OR ORAL, STATUTORY OR OTHERWISE, RELATED TO THE INFORMATION, INCLUDING BUT NOT LIMITED TO ITS CONDITION, QUALITY, PERFORMANCE, MERCHANTABILITY OR FITNESS FOR PURPOSE. Microchip disclaims all liability arising from this information and its use. Use of Microchip devices in life support and/or safety applications is entirely at the buyer's risk, and the buyer agrees to defend, indemnify and hold harmless Microchip from any and all damages, claims, suits, or expenses resulting from such use. No licenses are conveyed, implicitly or otherwise, under any Microchip intellectual property rights.

#### **Trademarks**

The Microchip name and logo, the Microchip logo, dsPIC, FlashFlex, KEELOQ, KEELOQ logo, MPLAB, PIC, PICmicro, PICSTART, PIC<sup>32</sup> logo, rPIC, SST, SST Logo, SuperFlash and UNI/O are registered trademarks of Microchip Technology Incorporated in the U.S.A. and other countries.

FilterLab, Hampshire, HI-TECH C, Linear Active Thermistor, MTP, SEEVAL and The Embedded Control Solutions Company are registered trademarks of Microchip Technology Incorporated in the U.S.A.

Silicon Storage Technology is a registered trademark of Microchip Technology Inc. in other countries.

Analog-for-the-Digital Age, Application Maestro, BodyCom, chipKIT, chipKIT logo, CodeGuard, dsPICDEM, dsPICDEM.net, dsPICworks, dsSPEAK, ECAN, ECONOMONITOR, FanSense, HI-TIDE, In-Circuit Serial Programming, ICSP, Mindi, MiWi, MPASM, MPF, MPLAB Certified logo, MPLIB, MPLINK, mTouch, Omniclient Code Generation, PICC, PICC-18, PICDEM, PICDEM.net, PICkit, PICtail, REAL ICE, rFLAB, Select Mode, SQI, Serial Quad I/O, Total Endurance, TSHARC, UniWinDriver, WiperLock, ZENA and Z-Scale are trademarks of Microchip Technology Incorporated in the U.S.A. and other countries.

SQTP is a service mark of Microchip Technology Incorporated in the U.S.A.

GestIC and ULPP are registered trademarks of Microchip Technology Germany II GmbH & Co. KG, a subsidiary of Microchip Technology Inc., in other countries.

All other trademarks mentioned herein are property of their respective companies.

© 2010-2014, Microchip Technology Incorporated, Printed in the U.S.A., All Rights Reserved.

 Printed on recycled paper.

ISBN: 978-1-63276-019-7

*Microchip received ISO/TS-16949:2009 certification for its worldwide headquarters, design and wafer fabrication facilities in Chandler and Tempe, Arizona; Gresham, Oregon and design centers in California and India. The Company's quality system processes and procedures are for its PIC® MCUs and dsPIC® DSCs, KEELOQ® code hopping devices, Serial EEPROMs, microperipherals, nonvolatile memory and analog products. In addition, Microchip's quality system for the design and manufacture of development systems is ISO 9001:2000 certified.*

**QUALITY MANAGEMENT SYSTEM  
CERTIFIED BY DNV  
= ISO/TS 16949 =**



# MICROCHIP

## Worldwide Sales and Service

### AMERICAS

**Corporate Office**  
2355 West Chandler Blvd.  
Chandler, AZ 85224-6199  
Tel: 480-792-7200  
Fax: 480-792-7277  
Technical Support:  
<http://www.microchip.com/support>  
Web Address:  
[www.microchip.com](http://www.microchip.com)

**Atlanta**  
Duluth, GA  
Tel: 678-957-9614  
Fax: 678-957-1455

**Austin, TX**  
Tel: 512-257-3370

**Boston**  
Westborough, MA  
Tel: 774-760-0087  
Fax: 774-760-0088

**Chicago**  
Itasca, IL  
Tel: 630-285-0071  
Fax: 630-285-0075

**Cleveland**  
Independence, OH  
Tel: 216-447-0464  
Fax: 216-447-0643

**Dallas**  
Addison, TX  
Tel: 972-818-7423  
Fax: 972-818-2924

**Detroit**  
Novi, MI  
Tel: 248-848-4000

**Houston, TX**  
Tel: 281-894-5983

**Indianapolis**  
Noblesville, IN  
Tel: 317-773-8323  
Fax: 317-773-5453

**Los Angeles**  
Mission Viejo, CA  
Tel: 949-462-9523  
Fax: 949-462-9608

**New York, NY**  
Tel: 631-435-6000

**San Jose, CA**  
Tel: 408-735-9110

**Canada - Toronto**  
Tel: 905-673-0699  
Fax: 905-673-6509

### ASIA/PACIFIC

**Asia Pacific Office**  
Suites 3707-14, 37th Floor  
Tower 6, The Gateway  
Harbour City, Kowloon  
Hong Kong  
Tel: 852-2401-1200  
Fax: 852-2401-3431

**Australia - Sydney**  
Tel: 61-2-9868-6733  
Fax: 61-2-9868-6755

**China - Beijing**  
Tel: 86-10-8569-7000  
Fax: 86-10-8528-2104

**China - Chengdu**  
Tel: 86-28-8665-5511  
Fax: 86-28-8665-7889

**China - Chongqing**  
Tel: 86-23-8980-9588  
Fax: 86-23-8980-9500

**China - Hangzhou**  
Tel: 86-571-8792-8115  
Fax: 86-571-8792-8116

**China - Hong Kong SAR**  
Tel: 852-2943-5100  
Fax: 852-2401-3431

**China - Nanjing**  
Tel: 86-25-8473-2460  
Fax: 86-25-8473-2470

**China - Qingdao**  
Tel: 86-532-8502-7355  
Fax: 86-532-8502-7205

**China - Shanghai**  
Tel: 86-21-5407-5533  
Fax: 86-21-5407-5066

**China - Shenyang**  
Tel: 86-24-2334-2829  
Fax: 86-24-2334-2393

**China - Shenzhen**  
Tel: 86-755-8864-2200  
Fax: 86-755-8203-1760

**China - Wuhan**  
Tel: 86-27-5980-5300  
Fax: 86-27-5980-5118

**China - Xian**  
Tel: 86-29-8833-7252  
Fax: 86-29-8833-7256

**China - Xiamen**  
Tel: 86-592-2388138  
Fax: 86-592-2388130

**China - Zhuhai**  
Tel: 86-756-3210040  
Fax: 86-756-3210049

### ASIA/PACIFIC

**India - Bangalore**  
Tel: 91-80-3090-4444  
Fax: 91-80-3090-4123

**India - New Delhi**  
Tel: 91-11-4160-8631  
Fax: 91-11-4160-8632

**India - Pune**  
Tel: 91-20-3019-1500

**Japan - Osaka**  
Tel: 81-6-6152-7160  
Fax: 81-6-6152-9310

**Japan - Tokyo**  
Tel: 81-3-6880-3770  
Fax: 81-3-6880-3771

**Korea - Daegu**  
Tel: 82-53-744-4301  
Fax: 82-53-744-4302

**Korea - Seoul**  
Tel: 82-2-554-7200  
Fax: 82-2-558-5932 or  
82-2-558-5934

**Malaysia - Kuala Lumpur**  
Tel: 60-3-6201-9857  
Fax: 60-3-6201-9859

**Malaysia - Penang**  
Tel: 60-4-227-8870  
Fax: 60-4-227-4068

**Philippines - Manila**  
Tel: 63-2-634-9065  
Fax: 63-2-634-9069

**Singapore**  
Tel: 65-6334-8870  
Fax: 65-6334-8850

**Taiwan - Hsin Chu**  
Tel: 886-3-5778-366  
Fax: 886-3-5770-955

**Taiwan - Kaohsiung**  
Tel: 886-7-213-7830

**Taiwan - Taipei**  
Tel: 886-2-2508-8600  
Fax: 886-2-2508-0102

**Thailand - Bangkok**  
Tel: 66-2-694-1351  
Fax: 66-2-694-1350

### EUROPE

**Austria - Wels**  
Tel: 43-7242-2244-39  
Fax: 43-7242-2244-393

**Denmark - Copenhagen**  
Tel: 45-4450-2828  
Fax: 45-4485-2829

**France - Paris**  
Tel: 33-1-69-53-63-20  
Fax: 33-1-69-30-90-79

**Germany - Dusseldorf**  
Tel: 49-2129-3766400

**Germany - Munich**  
Tel: 49-89-627-144-0  
Fax: 49-89-627-144-44

**Germany - Pforzheim**  
Tel: 49-7231-424750

**Italy - Milan**  
Tel: 39-0331-742611  
Fax: 39-0331-466781

**Italy - Venice**  
Tel: 39-049-7625286

**Netherlands - Drunen**  
Tel: 31-416-690399  
Fax: 31-416-690340

**Poland - Warsaw**  
Tel: 48-22-3325737

**Spain - Madrid**  
Tel: 34-91-708-08-90  
Fax: 34-91-708-08-91

**Sweden - Stockholm**  
Tel: 46-8-5090-4654

**UK - Wokingham**  
Tel: 44-118-921-5800  
Fax: 44-118-921-5820

03/13/14