

**φ172mm**

# San Ace 172

25mm thick(Sidecut type)  
 51mm thick(Sidecut type GV type)  
 51mm thick(Sidecut type), 51mm thick(Round type)



## General Specifications With a pulse sensor

- Material ..... Frame: Aluminum, Impeller:Plastics (Flammability: UL94V-1)
- Life Expectancy ..... Varies for each model (L10:Survival rate:90% at 60°C ,  
 rated voltage, and continuously run in a free air state)
- Lead Wire ..... ⊕red ⊖black or blue (Sensor) yellow
- Storage Temperature ..... -30°C to +70°C (Non-condensing)

**φ172mm×51mm** (Mass : 780g)

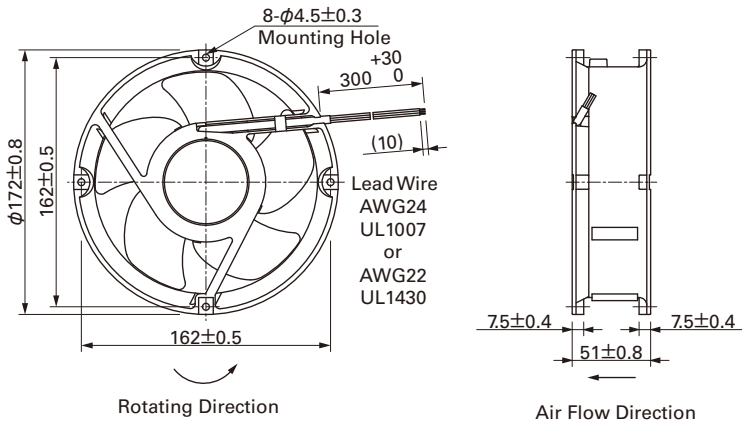
**Round type**

## Specifications

Model No.	Rated Voltage [V]	Operating Voltage Range [V]	Rated Current [A]	Rated Input [W]	Rated Speed [min <sup>-1</sup> ]	Air Flow [m <sup>3</sup> /min] [CFM]	Static Pressure [Pa] [inchH <sub>2</sub> O]	SPL [dB(A)]	Operating Temperature [°C]	Life Expectancy [h]	
109E1712K501	12	10.2 to 13.8	2.9	34.8	4,100	8.5 300	243.0 0.976	55	-10 to +60	40,000	
109E1712H501			1.2	14.4	3,050	6.4 226	137.2 0.551	47			
109E1712M501			0.48	5.76	2,000	4.2 148	67.6 0.271	36			
109E1724C501	24	20.4 to 27.6	2.3	55.2	4,800	9.9 350	308.0 1.237	60			
109E1724K501			1.3	31.2	4,100	8.5 300	243.0 0.976	55			
109E1724H501			0.58	13.92	3,050	6.4 226	137.2 0.551	47			
109E1724M501			0.2	4.8	2,000	4.2 148	67.6 0.271	36			
109E1748C501	48	40.8 to 55.2	1.2	57.6	4,800	9.9 350	308.0 1.237	60	-10 to +60		
109E1748K501			0.7	33.6	4,100	8.5 300	243.0 0.976	55	-10 to +60		
109E1748H501			0.28	13.44	3,050	6.4 226	137.2 0.551	47	-10 to +70		
109E1748M501			0.11	5.28	2,000	4.2	148	67.6	0.271		36

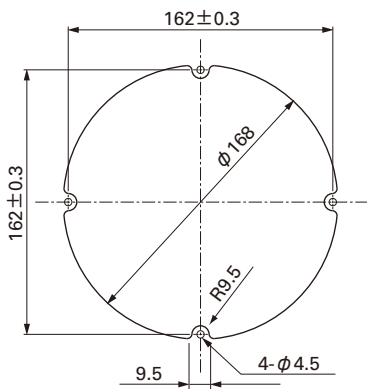
**Without Sensor** **Pulse Sensor** Available in all models. **Lock Sensor** **Low speed Sensor** **PWM Control** Please inquire as the availability of these functions depend on the model.

## Dimensions (Unit : mm)



## Reference dimension of mounting holes and vent opening (Unit : mm)

Inlet side, Outlet side



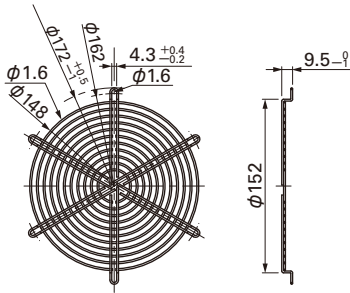
## Options (Unit : mm)

### Finger guards

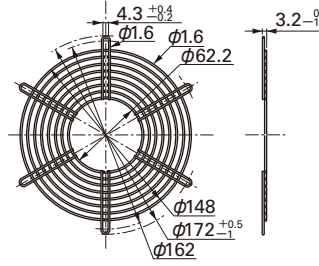
Model : 109-319E Surface treatment : Nickel-chrome plating (silver)  
 : 109-319H : Cation electropainting (black)

Model : 109-320 Surface treatment : Nickel-chrome plating (silver)  
 Color : Nickel-chrome plating (silver)

Inlet side, Outlet side

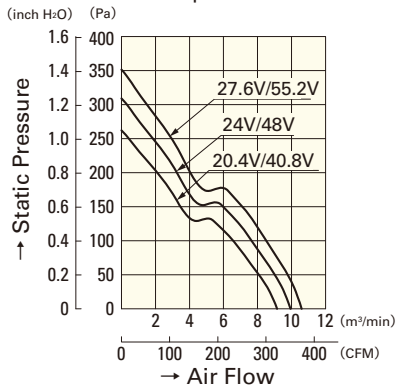


Outlet side



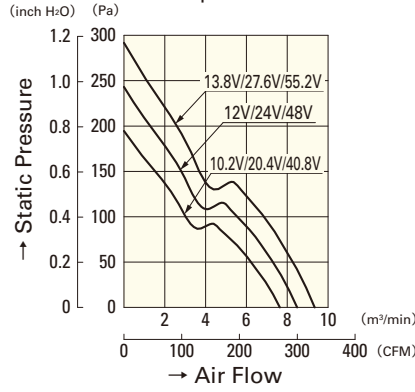
## Air Flow and Static Pressure Characteristics

C speed



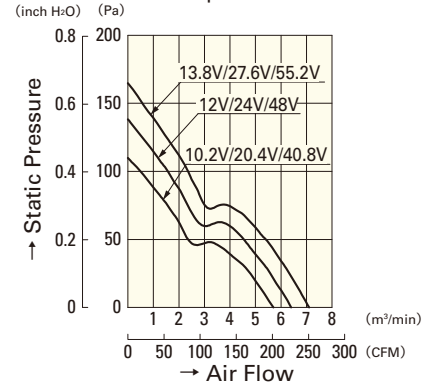
**109E1724C501**  
**109E1748C501**

K speed



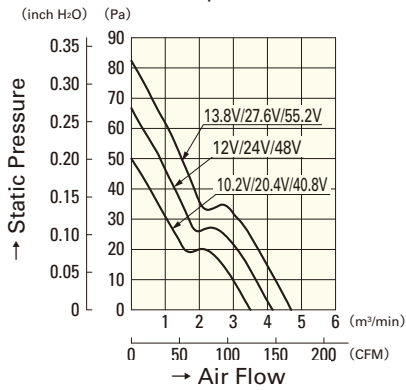
**109E1712K501**  
**109E1724K501**  
**109E1748K501**

H speed



**109E1712H501**  
**109E1724H501**  
**109E1748H501**

M speed



**109E1712M501**  
**109E1724M501**  
**109E1748M501**