

80mm sq.

San Ace 80

15mm thick, 20mm thick, 25mm thick
 25mm thick (San Cooler), 32mm thick
 38mm thick (GV type), 38mm thick (G type)



General Specifications With a pulse sensor

- Material Frame: Plastics (Flammability: UL94V-0),
 Impeller: Plastics (Flammability: UL94V-1)
- Life Expectancy Varies for each model (L10: Survival rate: 90% at 60°C,
 rated voltage, and continuously run in a free air state)
- Lead Wire ⊕red ⊖black or blue (Sensor) yellow
- Storage Temperature -30°C to +70°C (Non-condensing)

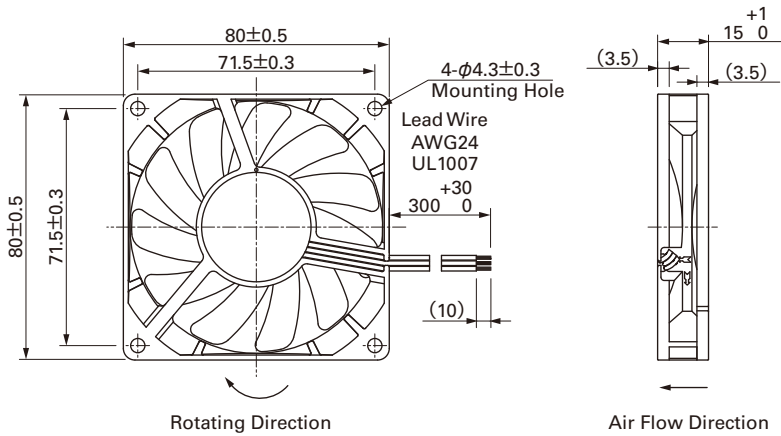
80×80×15mm [Mass : 68g]

Specifications

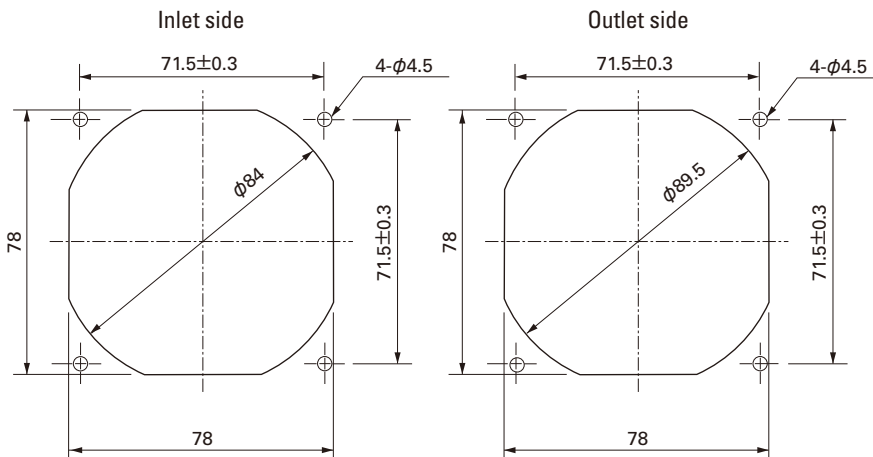
Model No.	Rated Voltage [V]	Operating Voltage Range [V]	Rated Current [A]	Rated Input [W]	Rated Speed [min ⁻¹]	Air Flow [m ³ /min] [CFM]		Static Pressure [Pa] [inchH ₂ O]		SPL [dB(A)]	Operating Temperature [°C]	Life Expectancy [h]
109P0812H701	12	7 to 13.8	0.2	2.4	3,100	0.91	32.1	29.4	0.118	31	-10 to +70	40,000
109P0812M701			0.09	1.08	2,000	0.57	20.1	12.6	0.051	21		60,000
109P0824H701	24	14 to 27.6	0.1	2.4	3,100	0.91	32.1	29.4	0.118	31		40,000
109P0824M701			0.05	1.2	2,000	0.57	20.1	12.6	0.051	21		60,000

Without Sensor **Pulse Sensor** Available in all models. **Lock Sensor** Please inquire as the availability of these functions depend on the model.

Dimensions (Unit : mm)



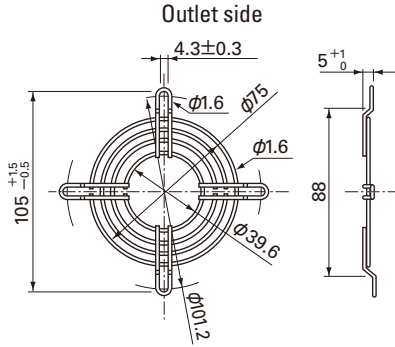
Reference dimension of mounting holes and vent opening (Unit : mm)



Options (Unit : mm)

Finger guards

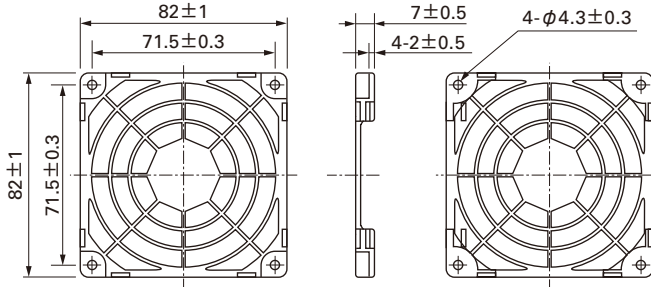
Model : 109-049C Surface treatment : Nickel-chrome plating (silver) Color : Nickel-chrome plating (silver)



Model : 109-049E Surface treatment : Nickel-chrome plating (silver) Color : Nickel-chrome plating (silver)
 : 109-049H Surface treatment : Cation electropainting (black) Color : Cation electropainting (black)

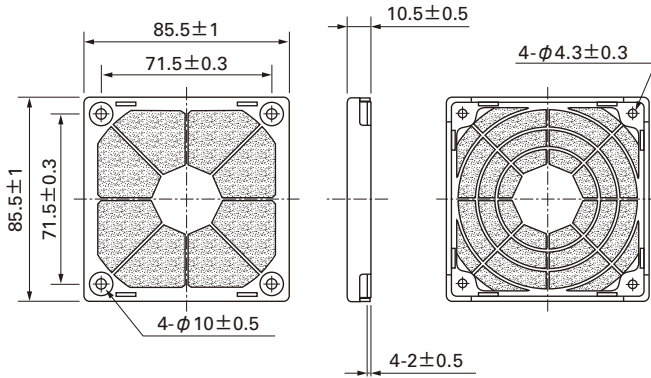
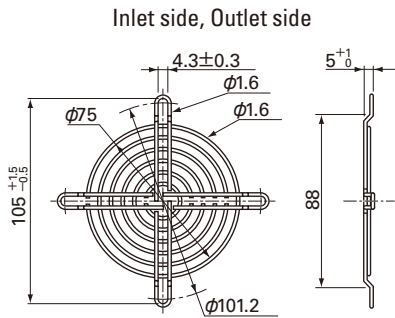
Resin finger guards

Model : 109-1002G

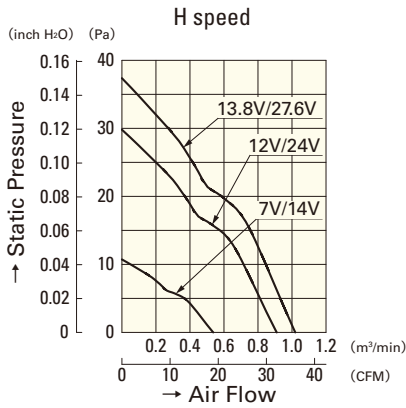


Resin filter kits

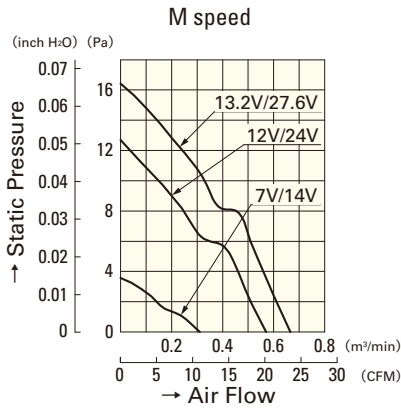
Model : 109-1002F13 (13PPI), 109-1002F20 (20PPI)
 : 109-1002F30 (30PPI), 109-1002F40 (40PPI)



Air Flow and Static Pressure Characteristics



109P0812H701
 109P0824H701



109P0812M701
 109P0824M701