

7450 ES

AC axial compact fan



ebm-papst St. Georgen GmbH & Co. KG

Hermann-Papst-Straße 1

78112 St. Georgen

Phone: +49 7724 81-0

Fax: +49 7724 81-1309

www.ebmpapst.com

info2@de.ebmpapst.com

Nominal data

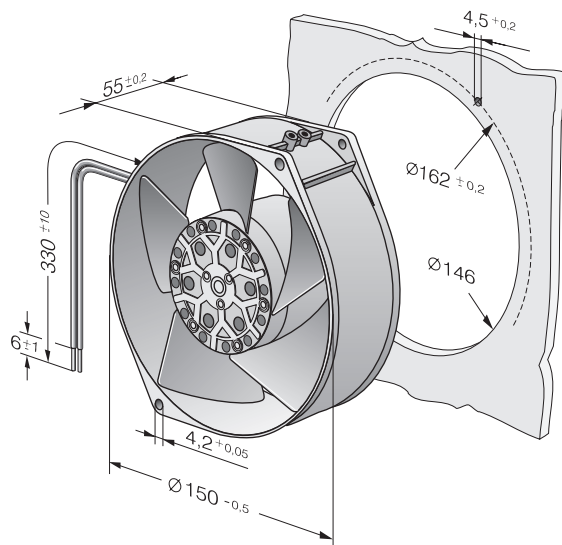
Type	7450 ES	
Nominal voltage	[VAC]	230
Frequency	[Hz]	50
Speed	[min ⁻¹]	2700
Power input	[W]	47,0
Min. ambient temperature	[°C]	-30
Max. ambient temperature	[°C]	60
Air flow	[m ³ /h]	390
Sound power level	[B]	6,8
Sound pressure level	[dB(A)]	58

ml = max. load · me = max. efficiency · rfa = running at free air · cs = customer specs · cu = customer unit
Subject to alterations

Technical features

Dimensions	150 Ø x 55 mm
General description	AC fan with external rotor shaded-pole motor.
Connection line	2 single strands. Housing with grounding lug for tapping screw M4 x 6 (TORX).
Direction of protection	Left, looking at rotor
Direction of air flow	Inlet over bars
Bearing	Ball bearings
Lifetime L10 at 40 °C	40000 h
Lifetime L10 at maximum temperature	18000 h
Mass	1.100 kg
Housing material	Metal
Material of impeller	Metal
Motor protection	Protected from overload by a thermal switch
Approval	VDE, CSA, UL, CE

Product drawing



Charts: Air flow

