

*Maxair*TM

SPECIFICATIONS

FOR APPROVAL

Model: 22060B2HL

AC220V/50Hz 0.28A

Maxair™

SPECIFICATION

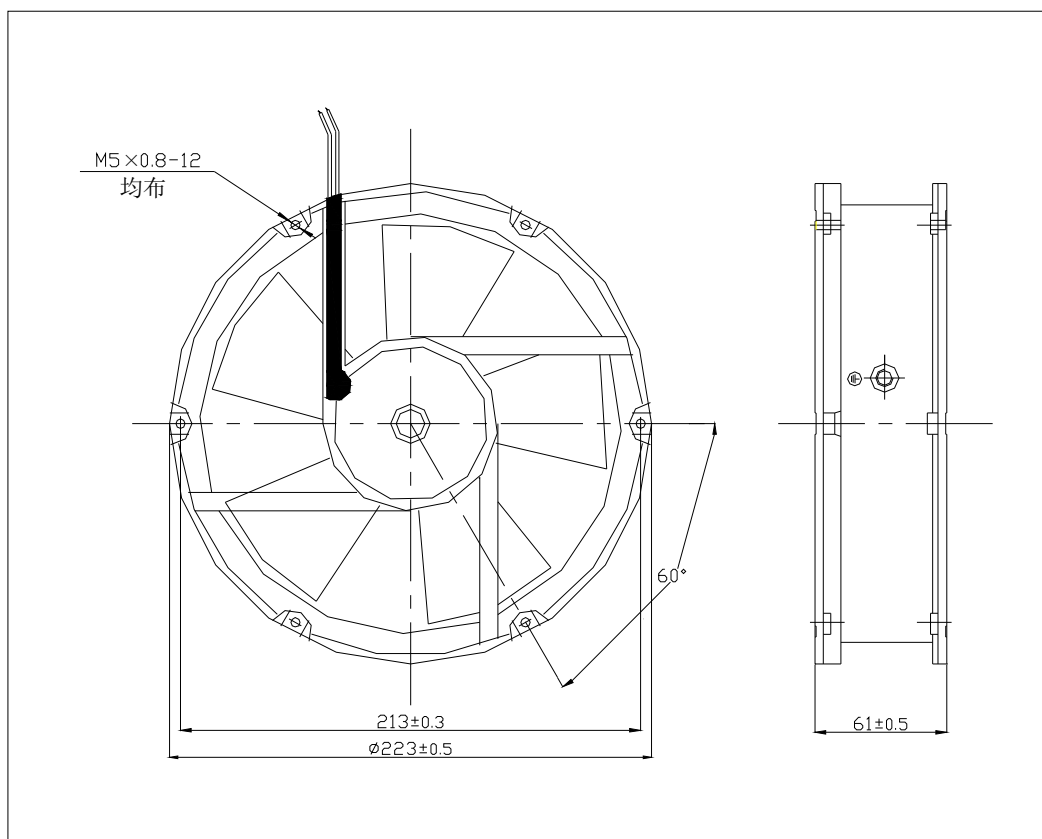
<u>Item</u>	<u>Specification/Condition</u>
Dimension	: Ø220X60 mm
Bearing System	: BALL BEARING
Rated Voltage	: 220 VAC
Operating Voltage	: 200 VAC—240 VAC
Start-up Voltage	: 160 VAC NORMALLY
Rated Current	: 0.28 Amp NORMALLY
Rated Speed	: 2400 RPM±10%
Air Flow	: 388 CFM
Static Air Pressure	: 25.4 mmH ₂ O
Noise Level	: 56dBA
Motor Protection Type	: BY IMPEDANCE
Life Expectance	: 50000 Hours at Room Temperature
Operation Temperature	: -30°C to +75°C
Net Weight	: 1400 Grams

Maxair™

MATERIAL

- 1.Impeller : Thermoplastic PBT of UL 94V-0
- 2.Bobbin : Thermoplastic PA66 of UL 94V-0
- 3.Lead Wire : UL 1015 AW

DIMENSIONS: MM



Maxair™

Performance Curve

