

XINRUILIAN SCIENCE & TECHNOLOGY (SZ) CO., LTD.

Engineering Department

DATA SHEET - BRUSHLESS COOLING FAN

No:	XRL4132025
Date:	26-Feb-13
Revised:	NA 0

For Customer:	B630	Customer P/N or Ref.:	NA
Part No.		Model No.	RDH6015S1
Samples Attached	NA Pcs.	Samples From	Engineering
Safety Approvals	UL/CUL,TUV,CE		

SPECIFICATION

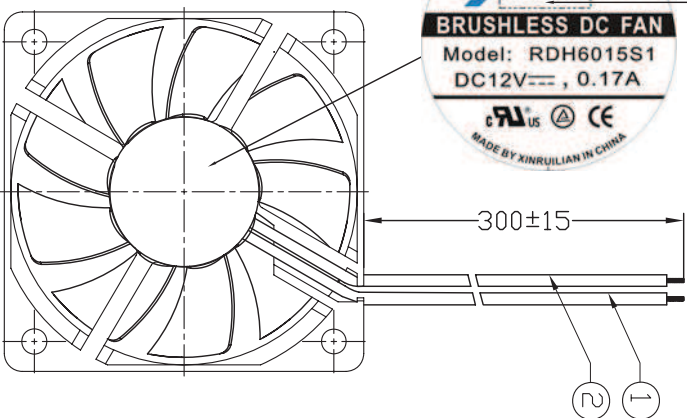
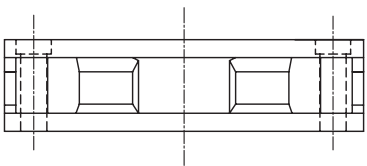
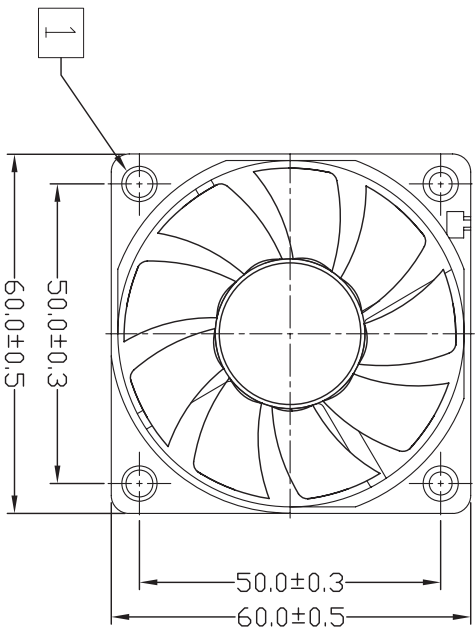
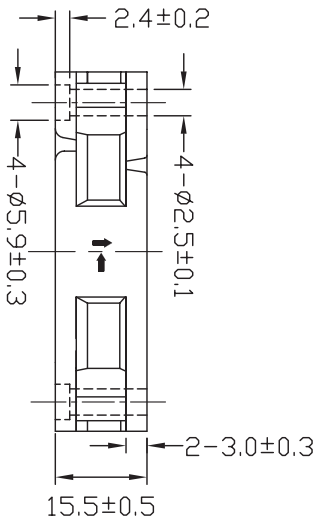
Item	Unit	Specification	Condition
Dimension	mm	60x60x15	L x W x Thickness
Bearing System	---	Sleeve Bearing	----
Rated Voltage	VDC	12.0	----
Operating Voltage Range	VDC	6.0-13.8	At 25°C
Start-up Voltage	VDC	6.0	At 25°C
Rated Current	Amp	0.17(Max.0.20)	At rated Voltage
Lock Rotor Current	Amp	0.34	Max. at Rotor Locked
Rated Power	Watt	2.04	At rated Voltage
Rated Speed	RPM	4500±10%	At rated Voltage
Air Flow	CFM (CMM)	19.33(0.54) Min.17.39	In Free Air
Static Air Pressure	mmAq (Inch H2O)	2.82(0.11) Min.2.28	When Air Flow = 0
Noise Level	dBA	32 Max.35	At Rated Speed
Motor Protection	---	Reversed Polarity	----
Other Features	Tachometer Output	No	Not Applicable
	Autostart	No	Not Applicable
	Lock Rotor Alarm	No	Not Applicable
	Thermal Control	No	Not Applicable
	PWM Control	No	Not Applicable
	IP Grade	No	----
	Environmental	RoHS Compliant	----
Connection Lead Type	Lead Wire	24AWGx300mm	See P.2 for Details
	Connector	Not Required	Not Applicable
	Build-in LED	No	NA
Life Expectancy	Hours	30000	At 25°C
Net Weight	Gram	34	----
Packing	Pieces / Carton	200	----

Prepared By:	Checked By:	Approved By:	Page No:
游美伟	刘 听	魏新怀	27 MAR 2013
Date:2013-02-28	Date:2013-02-28	Date:2013-02-28	1



NOTE:

[1] INSTALL SCREW MAX.TORQUE 4.5Kg-CM.



DATE CODE
X X X X
YEAR MONTH DATE

②	LEAD WIRE	1	UL1007 24AWG, RED	CONNECT TO VCC
①	LEAD WIRE	1	UL1007 24AWG,BLACK	CONNECT TO GND
N/D.	PART NAME	Q'TY	SPECIFICATION	REMARK

MARK		CHANGES		BY/DATE	APPD/DATE
 XINRULIAN SCIENCE & TECHNOLOGY (SHENZHEN) CO., LTD 欣瑞连科技 (深圳) 有限公司		PART NAME: DC FAN MODEL NO.: RDH6015S1		APPD/DATE: 魏新怀13/02/28 CHECK/DATE: 刘听13/02/28	PART NO.: DRAWING/DATE: 游美伟13/02/28
TOLERANCES: LINEAR: (0.30) X ±0.10, (0.30) X ±0.20, (0.30) X ±0.30 ANGULAR: XX ±0.05, X ±0.10, XX ±0.15		PROJECTION: 		UNIT: MM PAGE: 1/1	REV: 0