

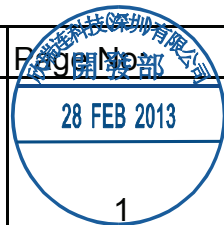
No:	XRL4132029
Date:	22-Feb-13
Revised:	NA 0

For Customer:	B630	Customer P/N or Ref.:	NA
Part No.		Model No.	RDH8025B1
Samples Attached	NA Pcs.	Samples From	Engineering
Safety Approvals	UL/CUL,TUV,CE		

SPECIFICATION

Item	Unit	Specification	Condition
Dimension	mm	80x80x25	L x W x Thickness
Bearing System	---	Dual Ball Bearing	-----
Rated Voltage	VDC	12.0	-----
Operating Voltage Range	VDC	6.0-13.8	At 25°C
Start-up Voltage	VDC	6.0	At 25°C
Rated Current	Amp	0.23(Max.0.276)	At rated Voltage
Lock Rotor Current	Amp	0.05	Max. at Rotor Locked
Rated Power	Watt	2.76	At rated Voltage
Rated Speed	RPM	3000±10%	At rated Voltage
Air Flow	CFM (CMM)	41.06(1.16) Min.36.95	In Free Air
Static Air Pressure	mmAq (Inch H2O)	3.45(0.14) Min.2.79	When Air Flow = 0
Noise Level	dBa	33 Max.37	At Rated Speed
Motor Protection	---	Reversed Polarity	-----
Other Features	Tachometer Output	No	Not Applicable
	Autostart	Built-in	See P.3, Fig.2
	Lock Rotor Alarm	No	Not Applicable
	Thermal Control	No	Not Applicable
	PWM Control	No	Not Applicable
	IP Grade	No	-----
	Environmental	RoHS Compliant	-----
	Connection Lead Type	Lead Wire	24AWGx300mm
	Connector	Not Required	Not Applicable
	Build-in LED	No	NA
Life Expectancy	Hours	50000	At 25°C
Net Weight	Gram	76	-----
Packing	Pieces / Carton	100	-----

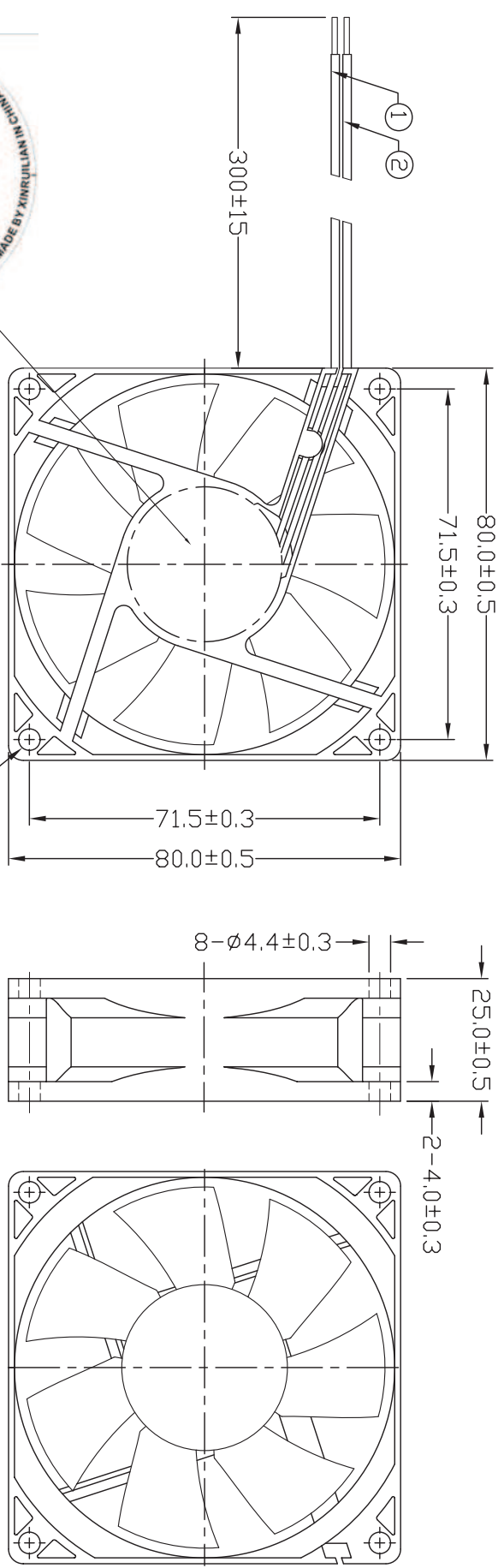
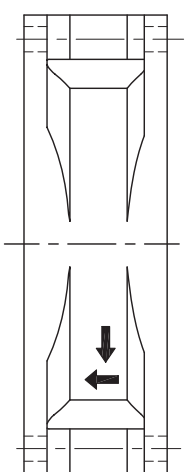
Prepared By:	Checked By:	Approved By:	Page No:
刘平	刘听	魏新怀	1
Date:2013-02-25	Date:2013-02-26	Date:2013-02-26	28 FEB 2013



1 2 3 4 5 6 7 8 9 10

NOTE:

1 INSTALL SCREW MAX.TORQUE 45kg-cm.



DATE DATE DATE
 YEAR MONTH DATE
 X X X
 X X X
 X X X

②	LEAD WIRE	1	UL1007 24AWG, RED	CONNECT TO VCC	
①	LEAD WIRE	1	UL1007 24AWG, BLACK	CONNECT TO GND	
N/D.	PART NAME	Q'TY	SPECIFICATION	REMARK	

MARK	CHANGES	BY/DATE	APPD/DATE
------	---------	---------	-----------

XINRUI LIAN SCIENCE & TECHNOLOGY (SHENZHEN) CO., LTD
欣瑞连科技 (深圳) 有限公司

LINEAR	XX	ANGULAR	XX
(0,30)	±0.10	±0.05	X ±15°
(50,100)	±0.20	±0.10	XX ±0.1°
(100,+∞)	±0.30	±0.15	

PROJECTION:	UNIT
	MM
	PAGE 1/1

PART NAME	DC FAN	MODEL NO.	RDH8025B1	PART NO.	
APPD./DATE	魏新怀13/02/25	CHECK/DATE	刘昕13/02/25	DRAWING/DATE	刘平13/02/25
				REV	0