

*Maxair*<sup>TM</sup>

# **SPECIFICATIONS**

**FOR APPROVAL**

**Model: 9225S2ML**

**AC220V 50/60Hz 0.06/0.06A**



## SPECIFICATION

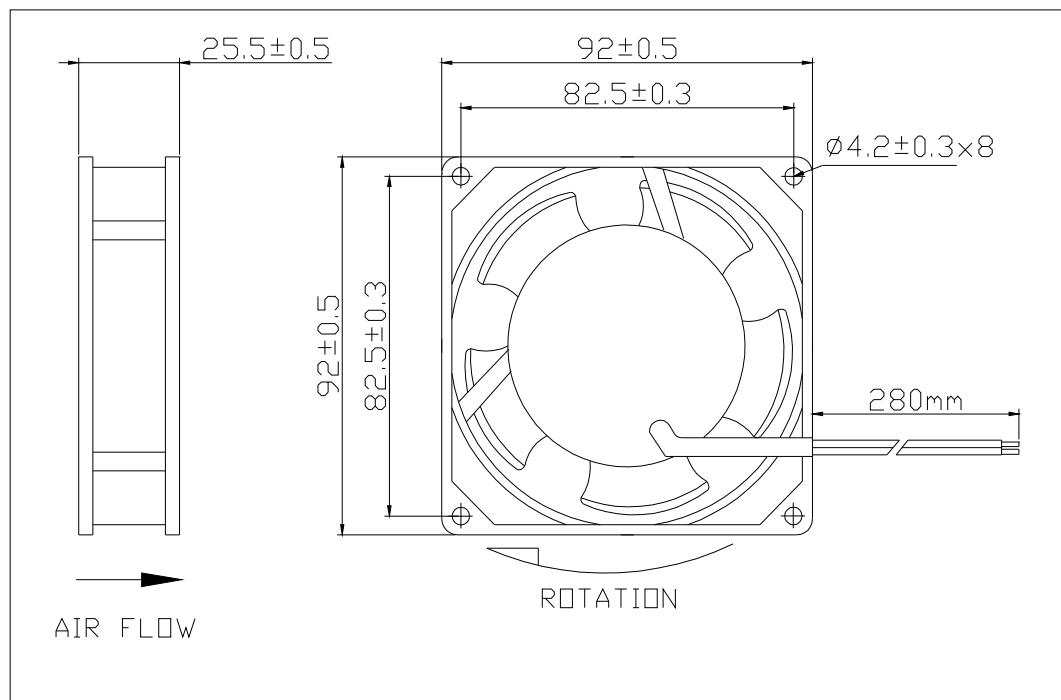
<u>Item</u>	<u>Specification/Condition</u>
<b>Dimension</b>	: 92x92x25 mm
<b>Bearing System</b>	: BALL SLEEVE
<b>Rated Voltage</b>	: 220 VAC
<b>Operating Voltage</b>	: 200 VAC—240 VAC
<b>Start-up Voltage</b>	: 160 VAC NORMALLY
<b>Rated Current</b>	: 0.06/0.06 Amp NORMALLY
<b>Rated Power</b>	: 11/10 Watt NORMALLY
<b>Rated Speed</b>	: 2300/2600 RPM±10%
<b>Air Flow</b>	: 0.71/0.85 m <sup>3</sup> /min ( 25 /30 CFM )
<b>Static Air Pressure</b>	: 3.0/3.50 mmH <sub>2</sub> O
<b>Noise Level</b>	: 25/33 dBA
<b>Motor Protection Type</b>	: BY IMPEDANCE
<b>Life Expectance</b>	: 20000 Hours at Room Temperature
<b>Operation Temperature</b>	: -10°C to +70°C
<b>Net Weight</b>	: 280 Grams

# Maxair™

## MATERIAL

1. Impeller : Thermoplastic PBT of UL 94V-0
2. Bobbin : Thermoplastic PA66 of UL 94V-0
3. Lead Wire : UL 1430 AWG#22 280mm—BLACK

## DIMENSIONS: MM



# Maxair™

## Performance Curve

