

*Maxair*TM

SPECIFICATIONS

FOR APPROVAL

Model: 9238B2HL

AC230V 50Hz 0.11A



SPECIFICATION

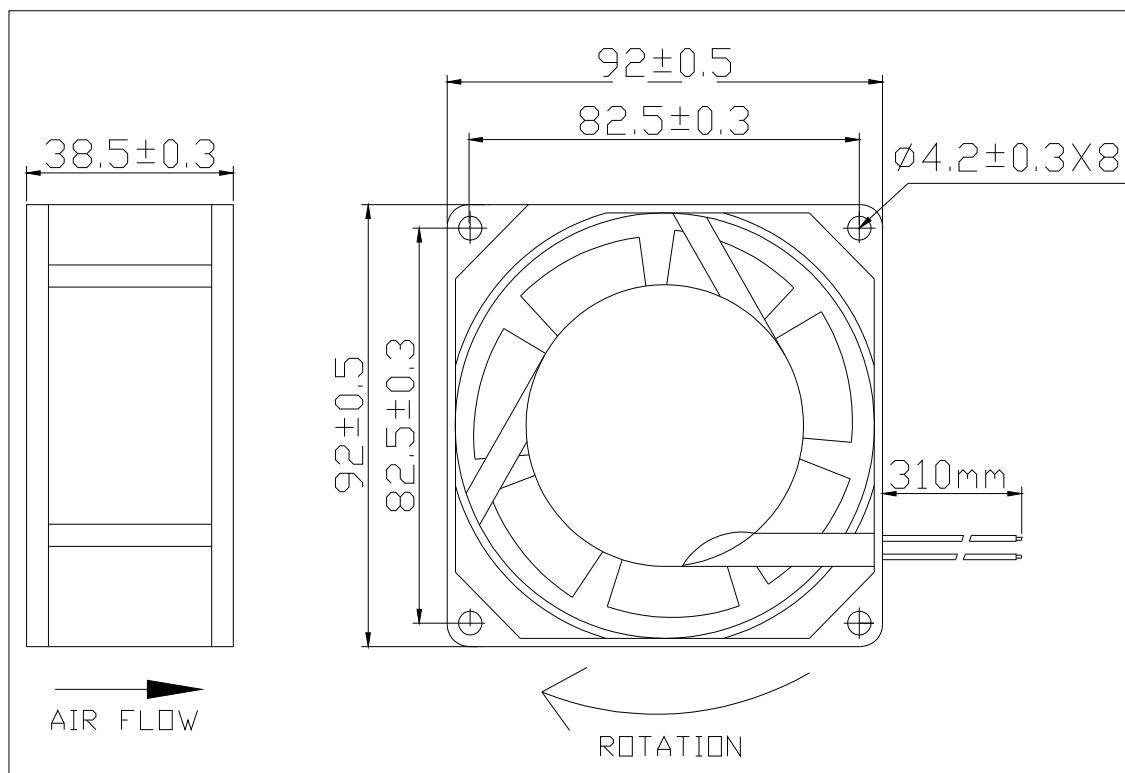
| <u>Item</u> | <u>Specification/Condition</u> |
|------------------------------|--------------------------------------|
| Dimension | : 92x92x38 mm |
| Bearing System | : BALL BEARING |
| Rated Voltage | : 220 VAC |
| Operating Voltage | : 200 VAC—240 VAC |
| Start-up Voltage | : 160 VAC NORMALLY |
| Rated Current | : 0.11 Amp NORMALLY |
| Rated Speed | : 2400 RPM±10% |
| Air Flow | : 1.33 m ³ /min (47 CFM) |
| Static Air Pressure | : 5.4mmH ₂ O |
| Noise Level | : 33 dBA |
| Motor Protection Type | : BY IMPEDANCE |
| Life Expectance | : 50000 Hours at Room Temperature |
| Operation Temperature | : -30°C to +70°C |
| Net Weight | : 300 Grams |

Maxair™

MATERIAL

1. Impeller : Thermoplastic PBT of UL 94V-0
2. Bobbin : Thermoplastic PA66 of UL 94V-0
3. Lead Wire : UL 1430 AWG#22

DIMENSIONS: MM



Maxair™

Performance Curve

