

120mm sq.

San Ace 120

25mm thick (G type), 38mm thick (GV type)
 38mm thick (G type), 38mm thick (SG type)



General Specifications With a pulse sensor

- Material Frame: Plastics (Flammability: UL94V-0),
 Impeller: Plastics (Flammability: UL94V-1)
- Life Expectancy Varies for each model (L10: Survival rate: 90% at 60°C, rated voltage, and continuously run in a free air state)
- Lead Wire ⊕red ⊖black or blue (Sensor) yellow
- Storage Temperature -30°C to +70°C (Non-condensing)

120×120×38mm (Mass : 330g)

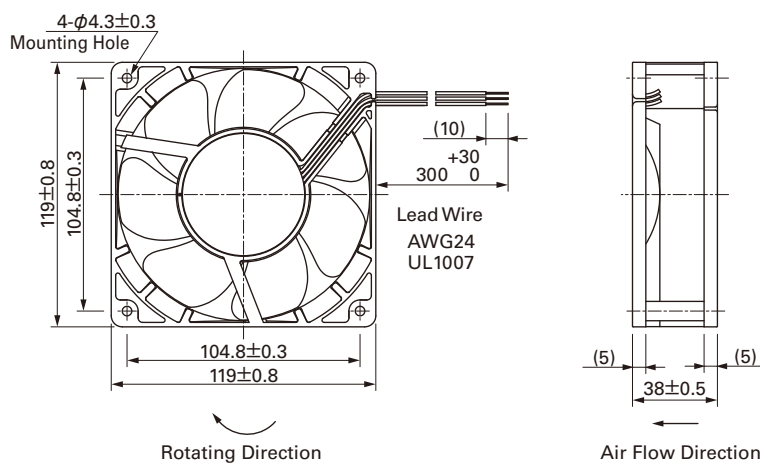
G type

Specifications The numbers in () represent ribless models.

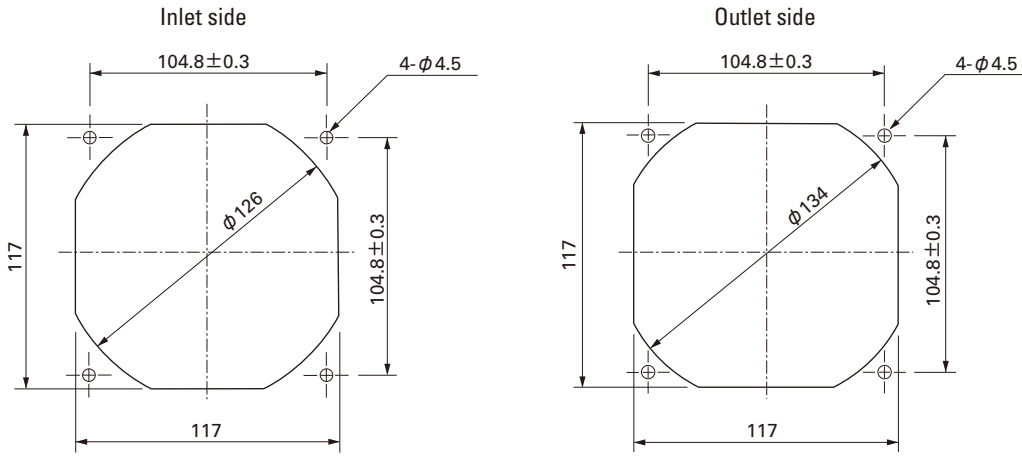
Model No.	Rated Voltage [V]	Operating Voltage Range [V]	Rated Current [A]	Rated Input [W]	Rated Speed [min ⁻¹]	Air Flow [m ³ /min] [CFM]	Static Pressure [Pa] [inchH ₂ O]	SPL [dB(A)]	Operating Temperature [°C]	Life Expectancy [h]
9G1212G101(1011)	12	10.2 to 13.8	0.98	11.76	3,600	3.88 137	135 0.542	49	-10 to +70	40,000
9G1212E101(1011)			0.61	7.32	3,100	3.34 118	100 0.402	46		
9G1212H101(1011)		7 to 13.8	0.38	4.56	2,600	2.80 99	70.4 0.283	39		
9G1212F101(1011)			0.28	3.36	2,280	2.45 87	54.2 0.218	36		
9G1212M101(1011)			0.21	2.52	1,950	2.10 74	39.6 0.159	32		
9G1224G101(1011)	24	20.4 to 27.6	0.50	12	3,600	3.88 137	135 0.542	49		
9G1224E101(1011)			0.34	8.16	3,100	3.34 118	100 0.402	46		
9G1224H101(1011)		14 to 27.6	0.22	5.28	2,600	2.80 99	70.4 0.283	39		
9G1224F101(1011)			0.16	3.84	2,280	2.45 87	54.2 0.218	36		
9G1224M101(1011)			0.11	2.64	1,950	2.10 74	39.6 0.159	32		
9G1248G101(1011)	48	40.8 to 55.2	0.25	12	3,600	3.88 137	135 0.542	49		
9G1248E101(1011)			0.17	8.16	3,100	3.34 118	100 0.402	46		
9G1248H101(1011)			0.11	5.28	2,600	2.80 99	70.4 0.283	39		
9G1248F101(1011)			0.09	4.32	2,280	2.45 87	54.2 0.218	36		
9G1248M101(1011)			0.07	3.36	1,950	2.10 74	39.6 0.159	32		

Without Sensor Pulse Sensor Available in all models. Lock Sensor Low speed Sensor PWM Control Please inquire as the availability of these functions depend on the model.

Dimensions (Unit : mm) (With ribs)



Reference dimension of mounting holes and vent opening (Unit : mm)

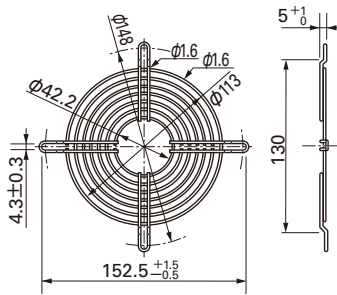


Options (Unit : mm)

Finger guards

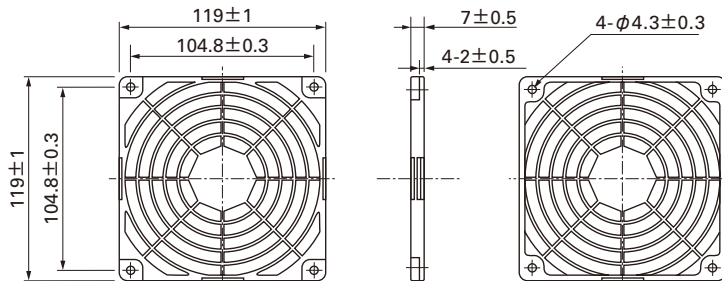
Model : 109-019C Surface treatment : Nickel-chrome plating (silver)
 : 109-019H : Cation electropainting (black)

Color



Resin finger guards

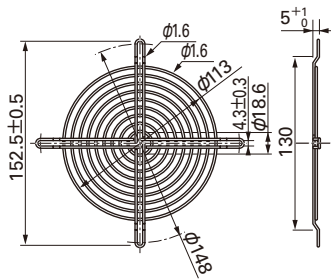
Model : 109-1000G



Model : 109-019E Surface treatment : Nickel-chrome plating (silver)
 : 109-019K : Cation electropainting (black)

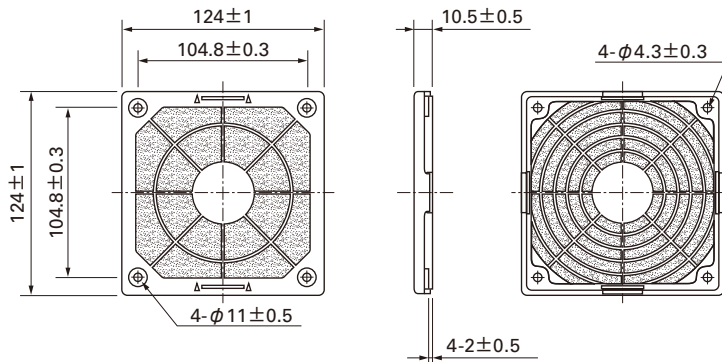
Color

Inlet side, Outlet side



Resin filter kits

Model : 109-1000F13 (13PPI), 109-1000F20 (20PPI)
 : 109-1000F30 (30PPI), 109-1000F40 (40PPI)

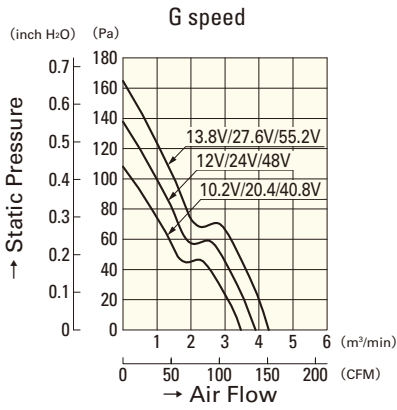


120mm sq.

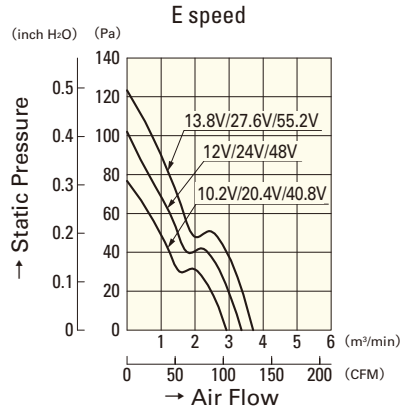
San Ace 120

120×120×38mm [Mass : 330g]

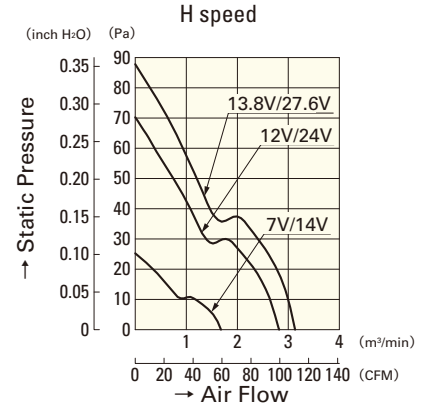
Air Flow and Static Pressure Characteristics



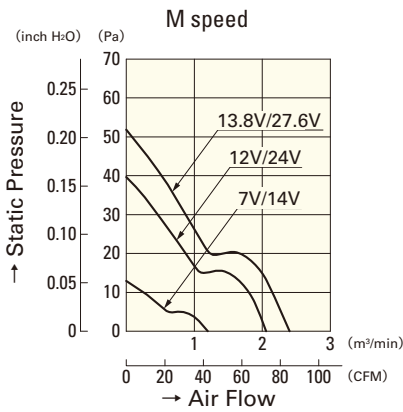
- 9G1212G101(1011)**
- 9G1224G101(1011)**
- 9G1248G101(1011)**



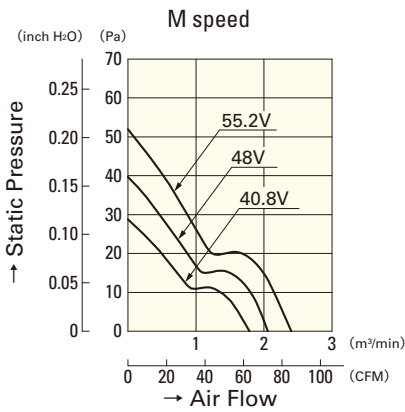
- 9G1212E101(1011)**
- 9G1224E101(1011)**
- 9G1248E101(1011)**



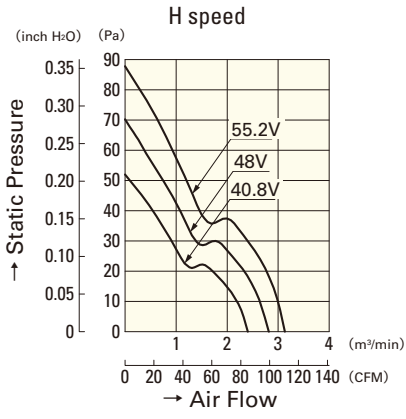
- 9G1212H101(1011)**
- 9G1224H101(1011)**



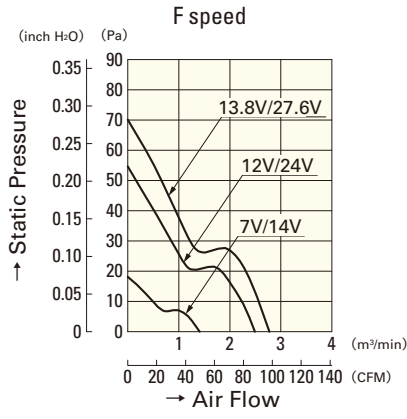
- 9G1212M101(1011)**
- 9G1224M101(1011)**



- 9G1248M101(1011)**

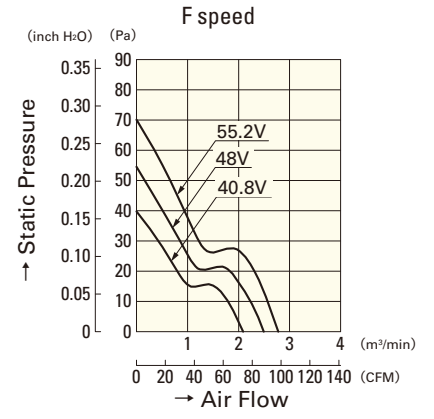


9G1248H101(1011)



9G1212F101(1011)

9G1224F101(1011)



9G1248F101(1011)