

120mm sq.

San Ace 120L

38mm thick(LB type)
38mm thick(GL type)



General Specifications With a pulse sensor

- Material Frame: Aluminum, Impeller:Plastics (Flammability: UL94V-1)
- Life Expectancy Varies for each model(L10:Survival rate: 90% at 60°C ,
rated voltage,and continuously run in a free air state)
- Lead Wire ⊕red ⊖black or blue (Sensor) yellow
- Storage Temperature -30°C to +70°C (Non-condensing)

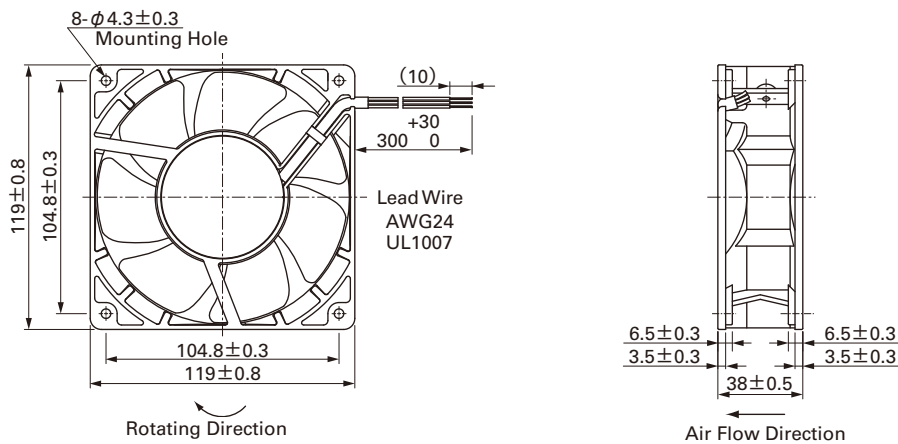
120×120×38mm (Mass : 370g) **LB type**

Specifications

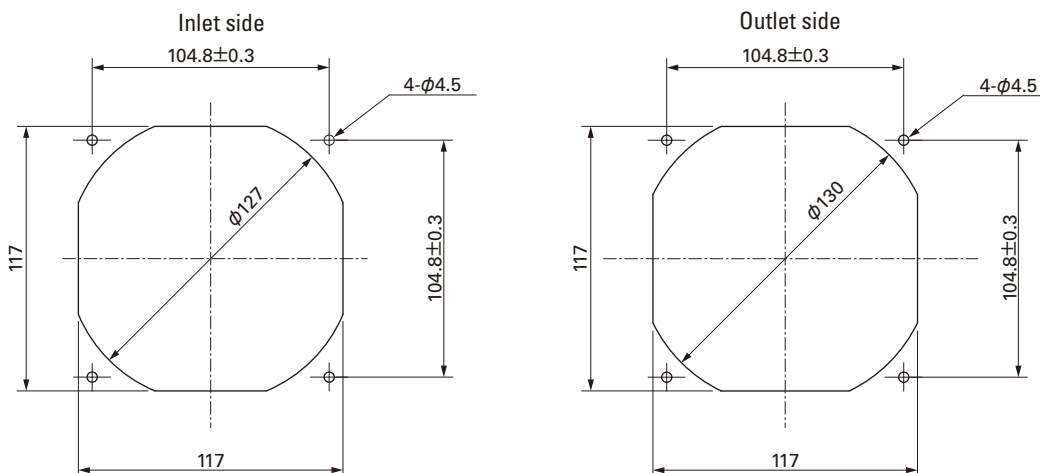
Model No.	Rated Voltage [V]	Operating Voltage Range [V]	Rated Current [A]	Rated Input [W]	Rated Speed [min ⁻¹]	Air Flow [m ³ /min] [CFM]	Static Pressure [Pa] [inchH ₂ O]	SPL [dB(A)]	Operating Temperature [°C]	Life Expectancy [h]
9LB1212H101	12	10.2 to 13.8	0.39	4.68	2,600	2.9 102.4	67.62 0.272	39	- 10 to + 70	200,000
9LB1212M101			0.22	2.64	2,000	2.2 77.7	42.14 0.169	32		
9LB1224H101	24	20.4 to 27.6	0.19	4.56	2,600	2.9 102.4	67.62 0.272	39		
9LB1224M101			0.11	2.64	2,000	2.2 77.7	42.14 0.169	32		
9LB1248H101	48	40.8 to 55.2	0.11	5.28	2,600	2.9 102.4	67.62 0.272	39		
9LB1248M101			0.06	2.88	2,000	2.2 77.7	42.14 0.169	32		

Without Sensor Pulse Sensor Available in all models. Lock Sensor Low speed Sensor Please inquire as the availability of these functions depend on the model.

Dimensions (Unit : mm)



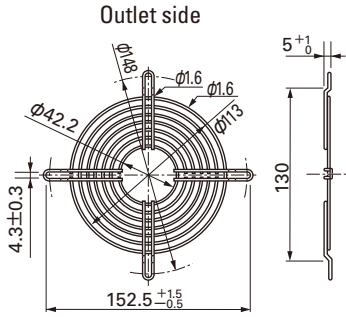
Reference dimension of mounting holes and vent opening (Unit : mm)



Options (Unit : mm)

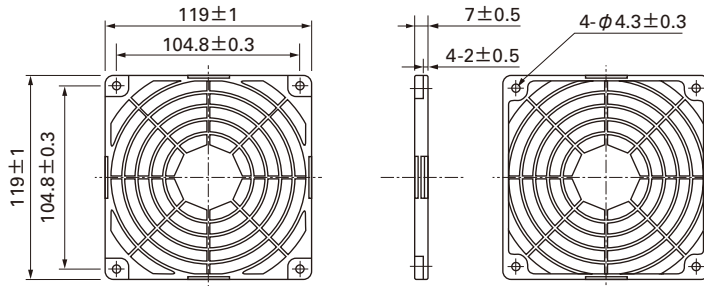
Finger guards

Model : 109-019C Surface treatment : Nickel-chrome plating (silver) Color
 : 109-019H : Cation electropainting (black)



Resin Finger guards

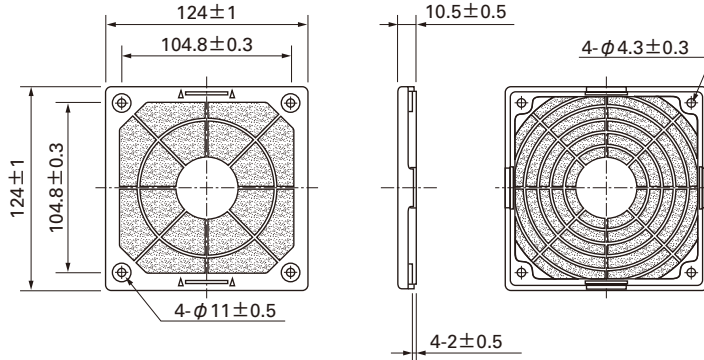
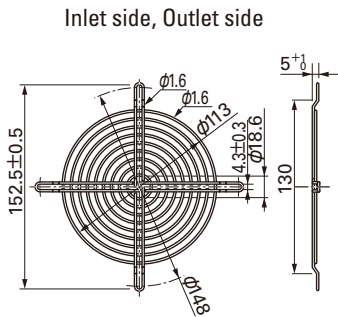
Model : 109-1000G



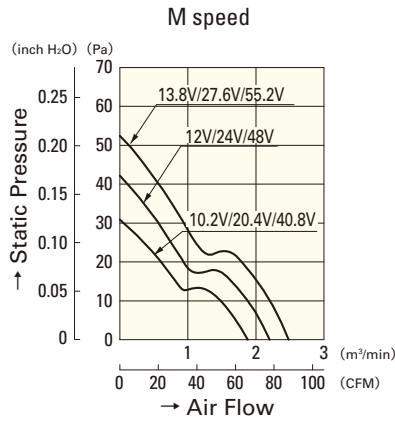
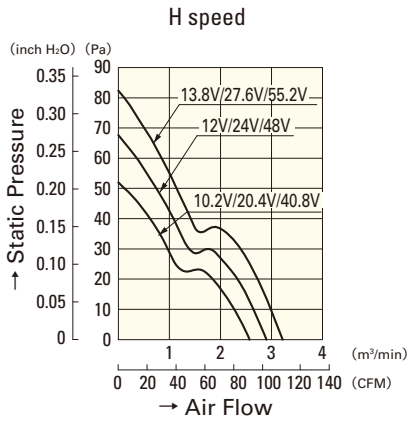
Model : 109-019E Surface treatment : Nickel-chrome plating (silver) Color
 : 109-019K : Cation electropainting (black)

Resin filter kits

Model : 109-1000F13 (13PPI), 109-1000F20 (20PPI)
 : 109-1000F30 (30PPI), 109-1000F40 (40PPI)



Air Flow and Static Pressure Characteristics



9LB1212H101

9LB1224H101

9LB1248H101

9LB1212M101

9LB1224M101

9LB1248M101