

**80**mm sq.

# San Ace 80WF

25mm thick



## General Specifications With a pulse sensor

- Material ..... Frame: Plastics (Flammability: UL94V-0),  
Impeller: Plastics (Flammability: UL94V-0)
- Life Expectancy ..... Varies for each model(L10:Survival rate: 90% at 60°C ,  
rated voltage,and continuously run in a free air state)
- Lead Wire ..... ⊕red ⊖black Sensor yellow
- Storage Temperature ..... -10°C to +70°C (Non-condensing)

The product can be used in an oil mist environment\*

\*Environment where machining oil mist is scattered.  
Usage of this product requires an evaluation with the oil that will be used.

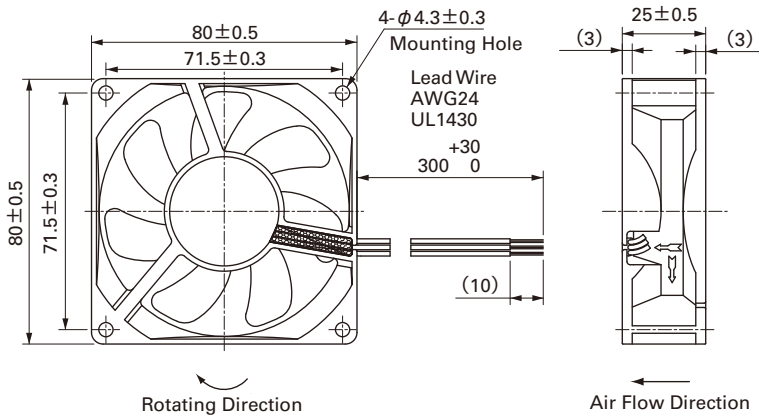
**80×80×25mm** (Mass : 130g) **IP 55** Dust resistant device with protection against water jets

## Specifications

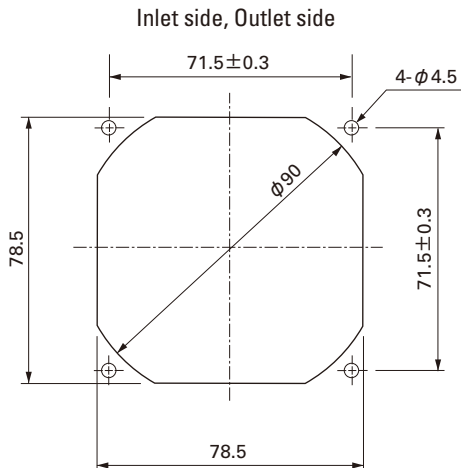
Model No.	Rated Voltage [V]	Operating Voltage Range [V]	Rated Current [A]	Rated Input [W]	Rated Speed [min <sup>-1</sup> ]	Air Flow [m <sup>3</sup> /min] [CFM]	Static Pressure [Pa] [inchH <sub>2</sub> O]	SPL [dB(A)]	Operating Temperature [°C]	Life Expectancy [h]
9WF0824S401	24	20.4 to 27.6	0.16	3.84	4,000	1.2 42.3	58 0.232	38	-10 to +70	40,000

**Without Sensor** **Pulse Sensor** Available in all models. **Lock Sensor** Please inquire as the availability of these functions depend on the model.

## Dimensions (Unit : mm)



## Reference dimension of mounting holes and vent opening (Unit : mm)

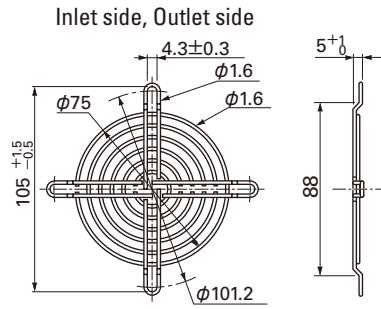
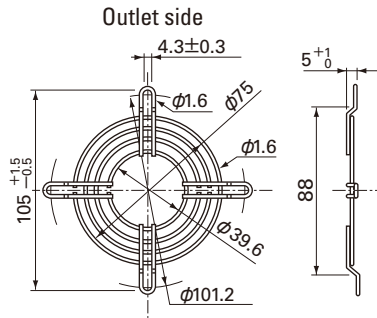


## Options (Unit : mm)

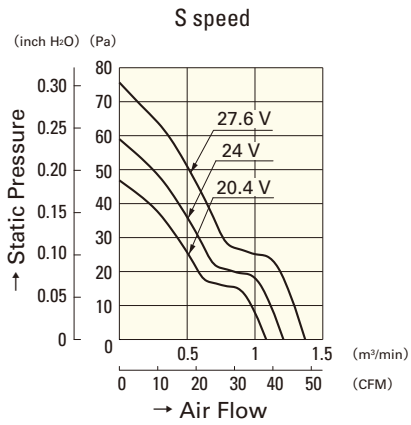
### Finger guards

Model : 109-049C Surface treatment : Nickel-chrome plating (silver) Color

Model : 109-049E Surface treatment : Nickel-chrome plating (silver) Color  
 : 109-049H : Cation electropainting (black)



## Air Flow and Static Pressure Characteristics



**9WF0824S401**