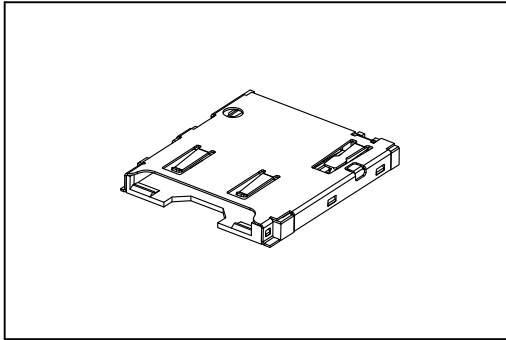


9004-BN Series

T- Flash Card Connector Push Push Type



Material:

Housing: High Temperature Plastic UL94V-0.

Contacts: Copper Alloy.

Electrical Characteristics:

Current Rating: 0.5 A.

Dielectric Withstanding Voltage: AC 500V .

Insulator Resistance: 1000MΩ min.

Contact Resistance: 40mΩ max.

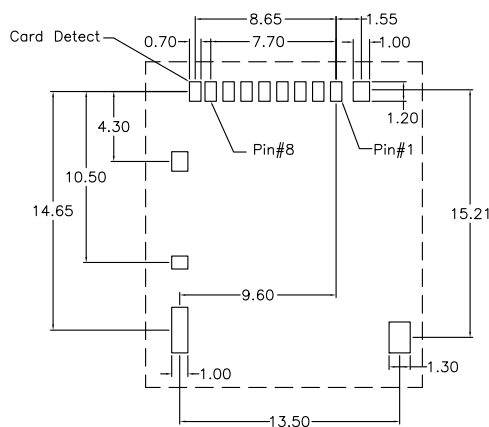
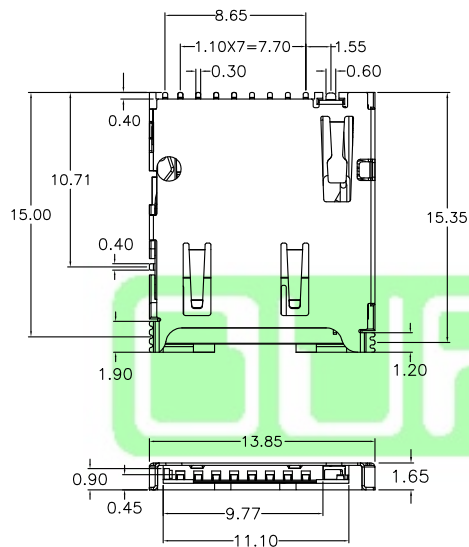
Operating Temperature: -25°C~+85°C.

Features:

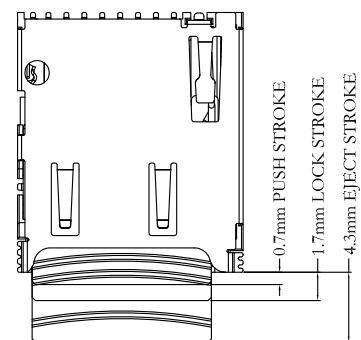
* Ultra small for space saving.

* Top Mount.

Mates with: T- Flash Card.



Pin#1	DATA 2
Pin#2	CD/DAT3
Pin#3	CMD
Pin#4	VDD
Pin#5	CLK
Pin#6	VSS
Pin#7	DATA 0
Pin#8	DATA 1



P.C. Board Layout

Ordering information

9004-

Series

BN

T- Flash
Card Style

09

Position

B

B: Black

G

G: Gold Plated

10

10: 10 μ"

A

A: Top Mount Type

T

T: Tape & Reel Package

U: Tube Package