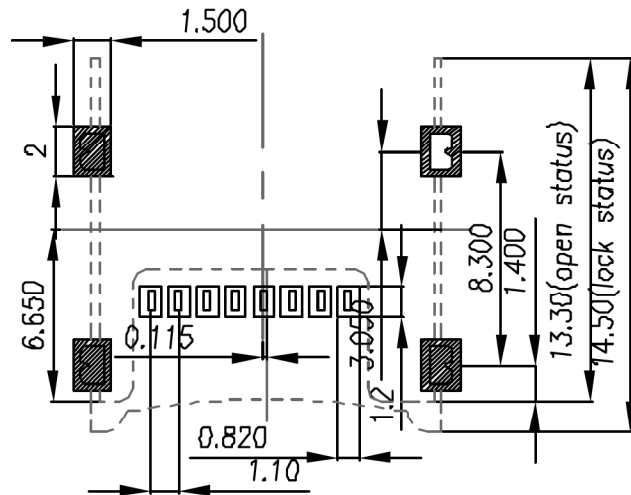
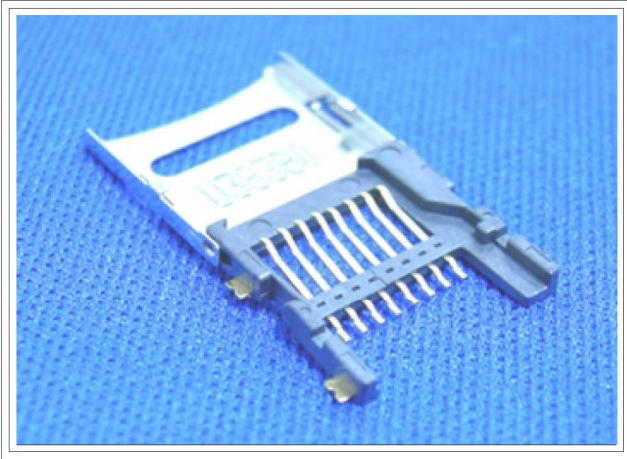


With Hinge

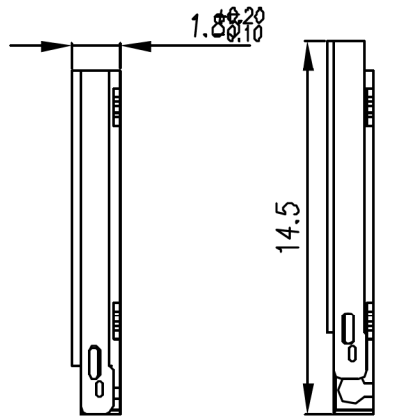
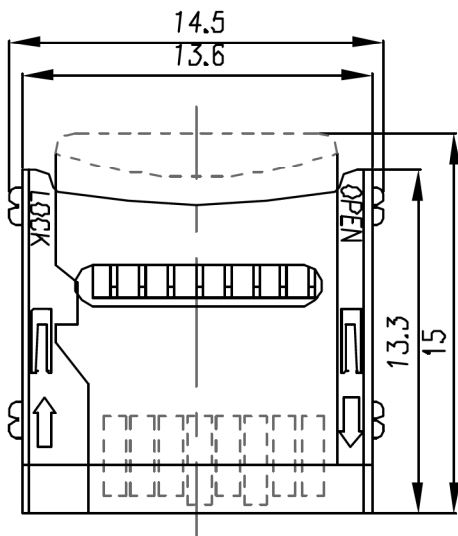
ISO14001 QC080000 ISO14001 QC080000 ISO14001 QC080000 ISO14001 QC080000 ISO14001 QC080000 ISO14001

Part No:

TFDMF-10808BT00

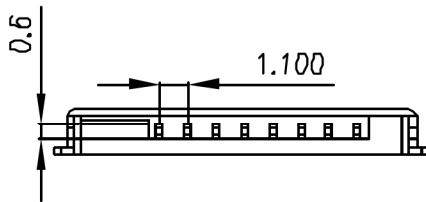


REFERENCE PCB LAYOUT



SLIDE SHELL
OPEN

SLIDE SHELL
LOCK



Specification:

- Withstanding Voltage: 500VAC Max with 1 Minute
- Insulation Resistance: 1000MΩ min
- Ratings
- Voltage : 100 Volts DC/AC(rms) 100 Volts (per pin)
- Current : 0.5 Amperes DC (per pin)
- Operating Temperature : -25°C ~ +85°C
- Contact Retention Force: 100 Gram (0.98N) min
- Insertion Force: 15N Max
- Separation Force: 15N Max
- Insertion Cycles: 5000 Times

Application:

TRANS FLASH CARD USE