

B 系列连接器

B series connector

B系列连接器采用安全的推拉自锁系统，适用于高级传感器及精密电子仪器设备之间的电气连接，本产品体积小，多芯类型2-30芯，接点密度高；多种键位选择。外壳采用铜合金加工，表面镀铬或者镀镍，插针插孔采用铜合金加工，表面镀金；绝缘体采用耐高温、具有良好绝缘性能的工程塑料注塑成型；护套采用软性工程塑料注塑成型，能良好的保护电缆。

B series connector using the push-pull self-locking safety system, applicable to high-level sensors and precision electronic and equipment of the electrical connection, the products are small, multipole types 2 to 30 contacts, high contact density; select multiple keys. The use of copper alloy shell processing, surface plating chrome or nickel, copper alloy pin jack used processing, the surface of gold-plated; insulators using high temperature, with good insulation properties of engineering plastics injection molding; sheath using soft plastics injection molding, cable can be well protected.



命名 How to order

浮动式插座 **PH - G - 1B - 306 - C - L - L - 52 - Z**

固定式插座 **EG - G - 1B - 306 - C - L - L**

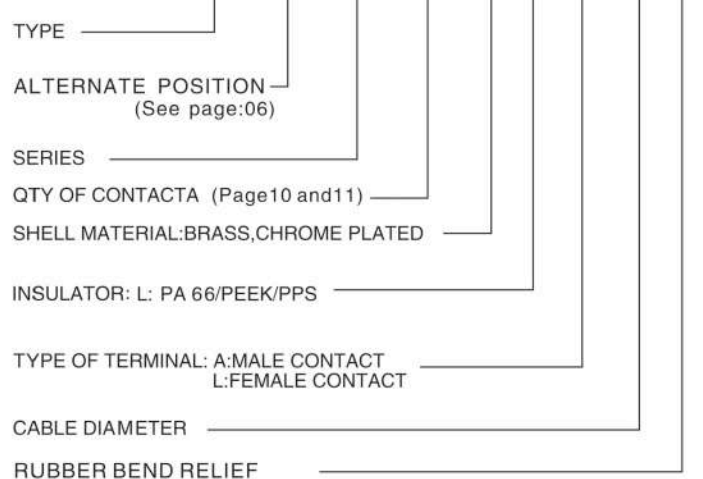
插头 **FG - G - 1B - 306 - C - L - A - 52 - Z**



FREE SOCKET **PH - G - 1B - 306 - C - L - L - 52 - Z**

FIXED SOCKET **EG - G - 1B - 306 - C - L - L**

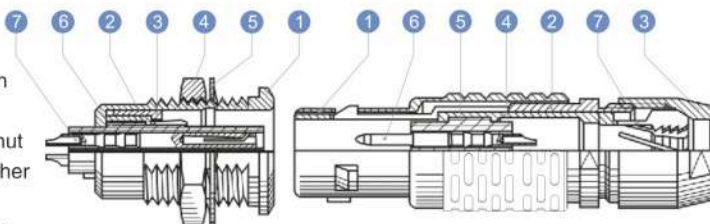
PLUG **FG - G - 1B - 306 - C - L - A - 52 - Z**



产品剖面图 Part Section Showing Internal Components

固定式插座 Fixed socket

- ① 外壳 outer shell
- ② 接地环 earthing crown
- ③ 固定环 retaining ring
- ④ 六角螺母 hexagonal nut
- ⑤ 锁定垫圈 locking washer
- ⑥ 绝缘体 insulator
- ⑦ 母针芯 female contact



直式插头 Straight plug

- ① 外壳 outer shell
- ② 锁定套筒 latch sleeve
- ③ 尾盖 collet nut
- ④ 绝缘体固定片 split insert carrier
- ⑤ 绝缘体 insulator
- ⑥ 公针芯 male contact
- ⑦ 线夹 collet

B 系列连接器

B Series connector

技术特性

机械性能和环境因素

特性	参数	标准
插拔次数	> 5000次	IEC60512-5试验9a
湿度	在60° C时最高达95%	
温度范围	-55° C,+250° C	
抗振动性能	10-2000Hz,15g	IEC60512-4试验6d
抗冲击性能	100g,6ms	IEC60512-4试验6c
盐雾腐蚀试验	> 144 h	IEC60512-6试验11f
防护等级 (插合时)	IP50	IEC60529
环境实验	55/175/21	IEC60068-1

电气性能

特性	参数	标准	
屏蔽效果	在10MHz下	> 75 dB	IEC60169-1-3
	在1GHz下	> 40 dB	IEC60169-1-3

注:

以上数据是对外壳采用黄铜镀铬, 绝缘体采用PA66材料的FGG插头和EGG插座进行的各项试验得出。

Technical Characteristics

Mechanical and Climatcal

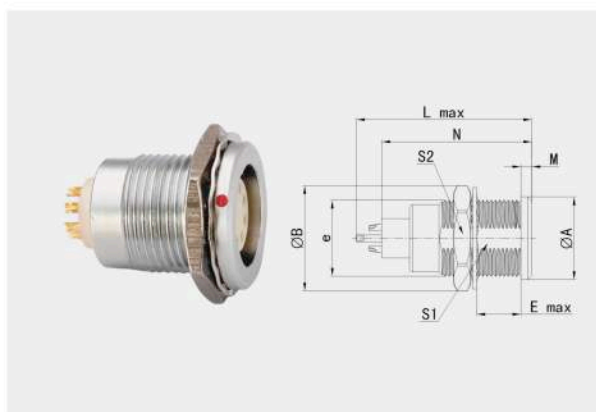
Characteristics	Value	Standard
Endurance	> 5000 cycles	IEC 60512-5 test 9a
Humidity	up to 95% at 60°C	
Temperature range	- 55°C, +250°C	
Resistance to vibration	10-2000 Hz,15g	IEC 60512-4 test 6d
Shock resistance	100g, 6 ms	IEC 60512-4 test 6c
Salt spray corrosion test	> 144h	IEC 60512-6 test 11f
Protection index (mated)	IP50	IEC 60529
Climatical category	55/175/21	IEC 60068-1

Electrical

Characteristics	Value	Standard	
Efficiency Shielding	at 10 MHz	> 75 dB	IEC 60169-1-3
	at 1 GHz	> 40 dB	IEC 60169-1-3

Note:

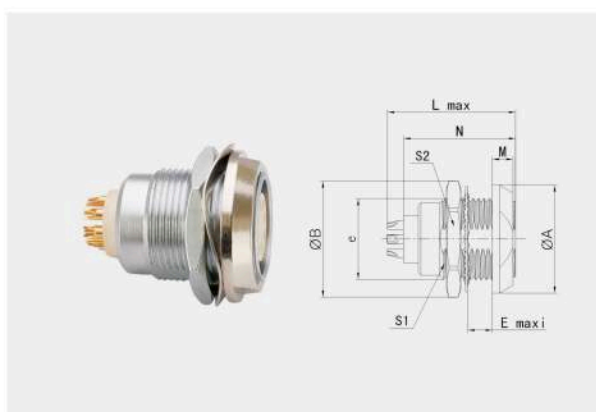
The various tests have been carried out with FGG and EGG connectorpairs,with chrome-plated brass shell and Pa66 insulator.



EGG

固定式插座, 螺母固定, 定位销 (G) 或定位销 (A...M和R)
 Fixed socket,nut fixing,key(G)or keys(A...Mand R)

编号 Reference	尺寸Dimensions(mm)									
型号 Model	系列 Series	A	B	e	E	L	M	N	S1	S2
EGG	00	8	10.2	M7x0.5	6	15.5	1	13.7	6.3	9
EGG	0B	10	12.4	M9x0.6	7	20.7	1.2	18	8.2	11
EGG	1B	14	15.8	M12x1.0	7.5	23.5	1.5	20	10.5	14
EGG	2B	18	19.2	M15x1.0	8.5	26.7	1.8	20	13.5	17
EGG	3B	22	25.0	M18x1.0	11.5	30.7	2	25	16.5	22



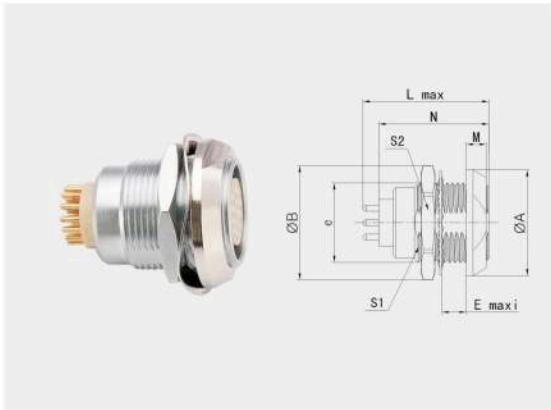
ECG

固定式插座, 带两个螺母, 定位销 (G) 或定位销 (A...M和R) (后面板安装)
 Fixed socket with two nuts,key(G)or keys(A...M and R)(back panel mounting)

编号 Reference	尺寸Dimensions(mm)									
型号 Model	系列 Series	A	B	e	E	L	M	N	S1	S2
ECG	00	10	10.2	M7x0.5	4.3	13.7	2.5	13.7	6.3	9
ECG	0B	12	12.4	M9x0.6	5.5	20.7	2.5	18	8.2	11
ECG	1B	16	15.8	M12x1.0	6.0	23	3.5	20	10.5	14
ECG	2B	20	19.2	M15x1.0	6.5	26.7	3.5	20	13.5	17
ECG	3B	24	25.0	M18x1.0	9.0	30.7	4.5	25	16.5	22

B 系列连接器

B Series connector



ECG

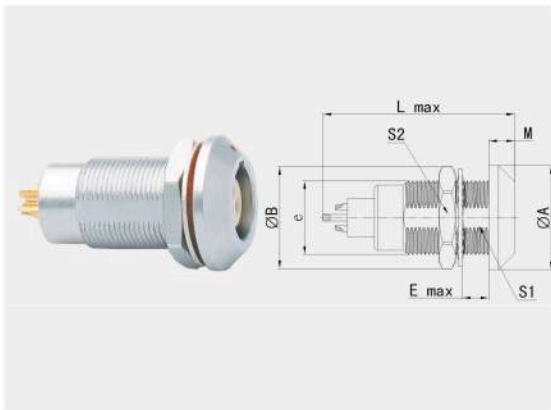
固定式插座，带两个螺母，定位销（G）或定位销（A...F和R）和适用于印制线路板的直针芯（后面板安装）

Fixed socket with two nuts, key (G) or keys (A...F and R) and straight contact for printed circuit (back panel mounting)

编号 Reference	尺寸Dimensions(mm)									
型号 Model	系列 Series	A	B	e	E	L	M	N	S1	S2
ECG	00	10	10.2	M7x0.5	4.3	13.7	2.5	13.7	6.3	9
ECG	0B	12	12.4	M9x0.6	5.5	20.7	2.5	18	8.2	11
ECG	1B	16	15.8	M12x1.0	6.0	23	3.5	20	10.5	14
ECG	2B	20	19.2	M15x1.0	6.5	26.7	3.5	20	13.5	17
ECG	3B	24	25.0	M18x1.0	9.0	30.7	4.5	25	16.5	22

注：此针芯类型适用于配母针芯的E●●插座。

Note: this contact type is available for E●●socket models fitted with female contacts.

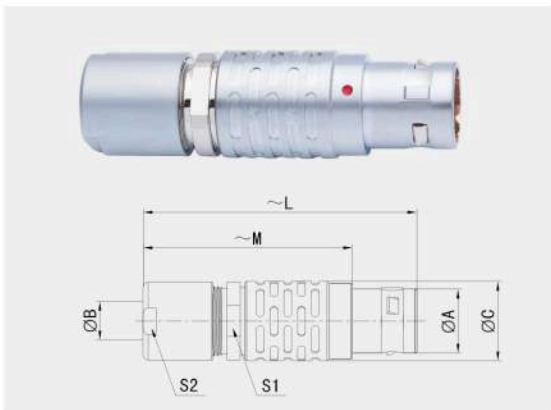


HGG

固定式插座，螺母固定，定位销（G）或定位销（A...M和R），水密或真空密封。

Fixed socket, nut fixing, key (G) or keys (A...M and R), watertight or vacuumtight

编号 Reference	尺寸Dimensions(mm)									
型号 Model	系列 Series	A	B	e	E	L	M	S1	S2	
HGG	00	11	10.2	M7x0.5	8	18	1.5	6.3	9	
HGG	0B	13	12.4	M9x0.6	7	22.1	3	8.2	11	
HGG	1B	18	15.8	M12x1.0	7	26.6	4.5	10.5	14	
HGG	2B	20	19.2	M15x1.0	8	31.6	4	13.5	17	
HGG	3B	25	25.0	M18x1.0	11.5	36.1	4	16.5	22	

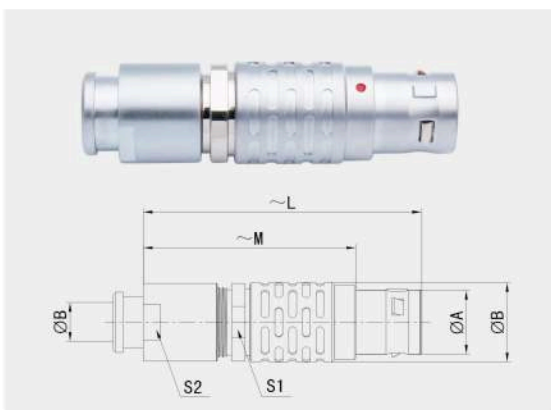


FGG

直式插头，定位销（G）或定位销（A...M和R），电缆线夹

Straight plug, key (G) or keys (A...M and R), cable collet

编号 Reference		尺寸 Dimensions(mm)						线夹孔位 Conillet hole	
型号 Model	系列 Series	A	C	L	M	S1	S2	B	
FGG	00 ¹⁾	5	6.4	28.5	20.5	5.5	5	1.7 2.2 2.7 3.13 5	
FGG	0B	6.9	9.5	36.0	26.0	8.0	7	2.1 3.1 4.2 5.2 6.2 7.2 8.2 8.5	
FGG	1B	9	12.0	43.0	32.0	10.0	9	2.7 3.1 4.2 5.2 6.2 7.2 8.2 8.5	
FGG	2B	11.9	15.0	50.0	38.0	13.0	12	3.4 5.2 6.2 7.2 8.2 9.2 10.0 11.0 12.0	
FGG	3B	14.9	18.0	58.0	43.0	15.0	14		



FGG

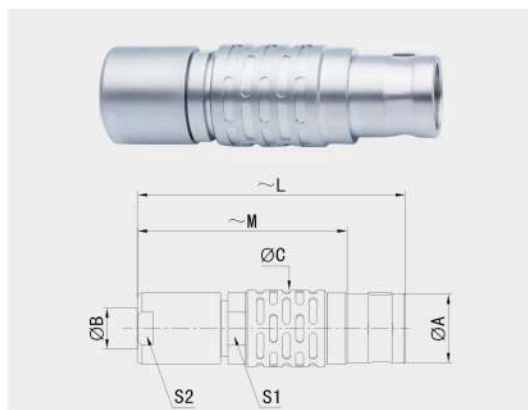
直式插头，定位销（G）或定位销（A...M），电缆线夹和带护套型的尾盖²⁾

Straight plug, key (G) or keys (A...M), cable collet and nut for fitting a bend relief²⁾

编号 Reference		尺寸 Dimensions(mm)						线夹孔位 Conillet hole	
型号 Model	系列 Series	A	C	L	M	S1	S2	B	
FGG	00 ¹⁾	5	6.4	28.5	20	5.5	5	1.7 2.2 2.7 3.13 5	
FGG	0B	6.9	9.5	36.0	25	8.0	7	2.1 3.1 4.2 5.2 6.2 7.2 8.2 8.5	
FGG	1B	9	12.0	43.0	31	10.0	9	2.7 3.1 4.2 5.2 6.2 7.2 8.2 8.5	
FGG	2B	11.9	15.0	50.0	37	13.0	12	3.4 5.2 6.2 7.2 8.2 9.2 10.0 11.0 12.0	
FGG	3B	14.9	18.0	41.5	56.5	15.0	14		

B 系列连接器

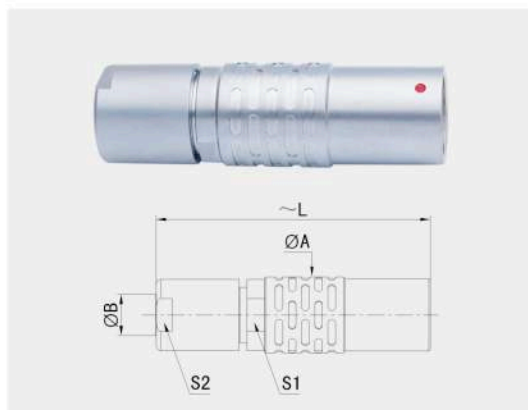
B Series connector



FGG

直式插头，不带锁定装置，定位销 (G) 或定位销 (A...M), 电缆线夹
 Fixed socket with two nuts, key (G) or keys (A...M), cable collet

编号 Reference		尺寸 Dimensions(mm)						线夹孔位 Conlet hole
型号 Model	系列 Series	A	C	L	M	S1	S2	B
FGG	00 ¹⁾	5	6.4	28.5	20.5	5.5	5	1.7 2.2 2.7 3.1 3.5
FGG	0B	6.9	9.5	36.0	26.0	8.0	7	2.1 3.1 4.2 5.2 6.2 7.2 8.2 8.5
FGG	1B	9	12.0	43.0	32.0	10.0	9	2.7 3.1 4.2 5.2 6.2 7.2 8.2 8.5
FGG	2B	11.9	15.0	50.0	38.0	13.0	12	3.4 5.2 6.2 7.2 8.2 9.2 10.0 11.0 12.0
FGG	3B	14.9	18.0	58.0	43.0	15.0	14	3.4 5.2 6.2 7.2 8.2 9.2 10.0 11.0 12.0



PHG

浮动式插座，定位销 (G) 或定位销 (A...M和R), 电缆线夹
 Free socket, key (G) or keys (A...M and R), cable collet

编号 Reference		尺寸 Dimensions(mm)				线夹孔位 Conlet diameter
型号 Model	系列 Series	A	L	S1	S2	B
PHG	00 ¹⁾	6.8	26.0	5.5	5	1.7 2.2 2.7 3.1 3.5
PHG	0B	9.5	35.5	8.0	7	2.1 3.1 4.2 5.2 6.2 7.2 8.2 8.5
PHG	1B	12.5	40.5	10.0	9	2.7 3.1 4.2 5.2 6.2 7.2 8.2 8.5
PHG	2B	16.5	47.0	13.0	12	3.4 5.2 6.2 7.2 8.2 9.2 10.0 11.0 12.0
PHG	3B	19.0	56.0	15.0	14	3.4 5.2 6.2 7.2 8.2 9.2 10.0 11.0 12.0



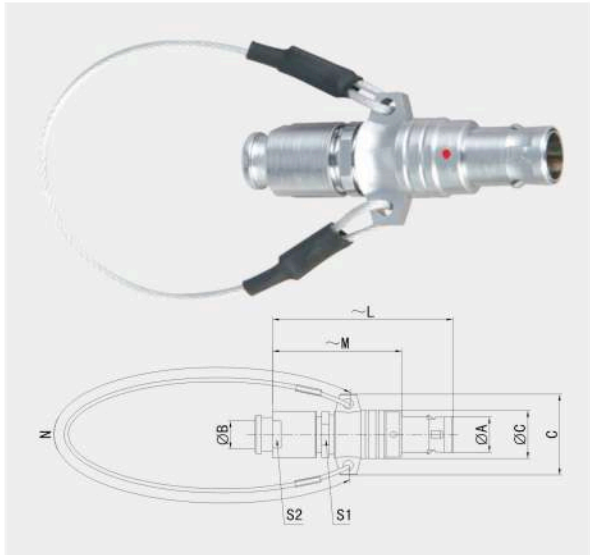
PHG

浮动式插座，定位销 (G) 或定位销 (A...M), 电缆线夹和带护套型的尾盖²⁾
 Free socket, key (G) or keys (A...M), cable collet and nut for fitting a bend relief

编号 Reference		尺寸 Dimensions(mm)				线夹孔位 Conlet diameter
型号 Model	系列 Series	A	L	S1	S2	B
PHG	00 ¹⁾	6.8	34.0	5.5	5	1.7 2.2 2.7 3.1 3.5
PHG	0B	9.5	34.5	8.0	7	2.1 3.1 4.2 5.2 6.2 7.2 8.2 8.5
PHG	1B	12.5	39.5	10.0	9	2.7 3.1 4.2 5.2 6.2 7.2 8.2 8.5
PHG	2B	16.5	46.0	13.0	12	3.4 5.2 6.2 7.2 8.2 9.2 10.0 11.0 12.0
PHG	3B	19.0	54.5	15.0	14	3.4 5.2 6.2 7.2 8.2 9.2 10.0 11.0 12.0

B 系列连接器

B Series connector

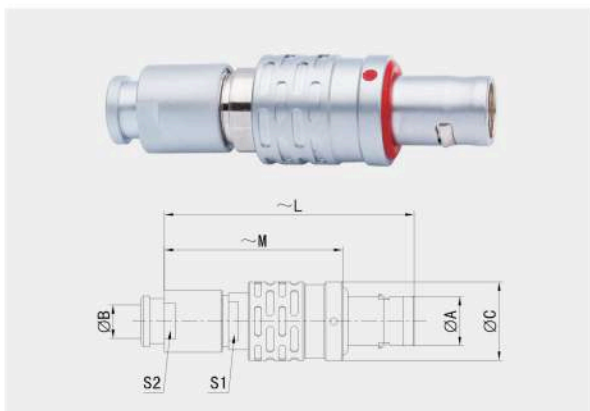


FNG

直式插头, 定位销 (G) 或定位销 (A...M和R), 电缆线夹和解锁拉绳
Straight plug, key(G) or keys(A...M and R), cable collet and lanyard release

编号 Reference		尺寸 Dimensions(mm)								线夹孔位 Conllet diameter				
型号 Model	系列 Series	A	C	B	L	N	S1	S2	M	B				
FNG	0B	6.9	9.5	15.5	36.0	140	8	7	26	2.1	3.1	4.2	5.2	5.6
FNG	1B	9	12.0	18.0	43.0	140	10	9	32	2.7	3.1	4.2	5.2	6.2
FNG	2B	11.9	15.0	21.0	49.0	160	13	12	37	2.1	3.1	3.4	4.2	5.2
FNG	3B	14.9	18.0	25.0	58.0	190	15	14	43	3.4	5.2	6.2	7.2	8.2

注: 接绳材料: 不锈钢索加聚酰胺外皮。
Note: cable material stainless steel with polyamide sheath.



FEJ

直式插头, 定位销 (G) 或定位销 (A...M), 电缆线夹和带护套型的尾盖²⁾

Free socket, key(G) or keys (A...M), cable collet and nut for fitting a bend relief²⁾

编号 Reference		尺寸 Dimensions(mm)						线夹孔位 Conllet diameter				
型号 Model	系列 Series	A	C	L	M	S1	S2	B				
FEJ	0B	6.9	11	35	25	8	7	2.1	3.1	4.2	5.2	5.6



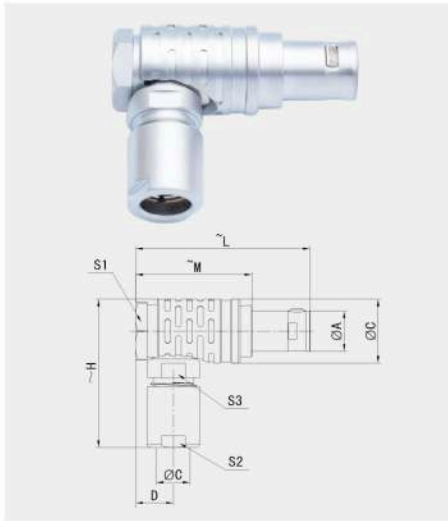
HEJ

固定式插座, 螺母固定, 定位销 (G) 或定位销 (A...M和R)
Fixed socket, nut fixing, key(G) or keys(A...M and R)

编号 Reference		尺寸 Dimensions(mm)						
型号 Model	系列 Series	A	B	e	E	L	S1	S2
HEJ	0B	12	13	M9x0.5	5.5	19.5	8.2	10.5

B 系列连接器

B Series connector



FHG

90°弯式插头, 定位销 (G) 或定位销 (A...M和R), 电缆线夹
 Elbow(90°)plug, key(G) or keys(A...M and R), cable collet

编号 Reference		尺寸 Dimensions(mm)									线夹孔位 Conlet diameter
型号 Model	系列 Series	A	C	D	H	L	M	S1	S2	S3	B
FHG	00 ¹⁾	5	7.7	5.2	18.0	24.5	16.5	7	5	5.5	1.7, 2.2, 2.7, 3.1, 3.5
FHG	0B	6.9	11.0	6.5	26.0	31.6	21.6	10	7	8.0	2.1, 3.1, 4.2, 5.2, 6.2
FHG	1B	9	13.5	8.0	30.5	36.0	25.0	11	9	10.0	2.7, 3.1, 4.2, 5.2, 6.2
FHG	2B	11.9	16.5	9.0	34.0	41.5	29.5	14	12	13.0	3.4, 4.2, 5.2, 6.2, 7.2, 8.2, 9.2
FHG	3B	14.9	19.0	10.0	37.0	50.0	35.0	17	14	15.0	4.2, 5.2, 6.2, 7.2, 8.2, 9.2, 10.0, 11.0, 12.0

注: 1) 00系列的表面设计有别于其他系列。
 Note: 1) the surface design of the 00 series is different.

定位销 (B系列) Alignment Key (B series)

定位销和极性定位销组合

Alignment Key and Polarized Keying System

B系列连接器外壳型号由三个字母组成, 最后一个字母表示定位销位置和针芯类型 (公针芯或母针芯)。

B series connector model part numbers are composed of three letters. The LAST LETTER indicates the key position and the contact type (male or female).

插座正视图 Front view of a socket	编号 Reference	定位销 数量 Nb of keys	角度 Angles	系列 Series			编号 Reference	定位销 数量 Nb of keys	角度 Angles	系列 Series		针芯类型 Contact type		注 Note	
				00	0B	1B				2B	3B	插头 Plug	插座 Socket		
	G	1		0°	0°	0°	G	1		0°	0°	公针芯 Male	母针芯 Female	●	
	A	2	α	30°	30°	30°	A	2	α	30°	30°	公针芯 Male	母针芯 Female	●	
	B	2		60°	60°	60°	B	2		45°	45°	公针芯 Male	母针芯 Female	●	
	C	2		-	90°	90°	C	2		60°	60°	公针芯 Male	母针芯 Female	●	
	D	2	β	-	135°	135°	D	2	β	95°	95°	公针芯 Male	母针芯 Female	○	
	E	2		-	145°	145°	E	2		120°	120°	公针芯 Male	母针芯 Female	○	
	F	2		-	155°	155°	F	2		145°	145°	公针芯 Male	母针芯 Female	○	
	J	2	γ	45°	45°	45°	J	2	α	37.5°	37.5°	母针芯 Female	公针芯 Male	●	
	K	2		-	70°	70°	K	2		52.5°	52.5°	母针芯 Female	公针芯 Male	○	
	L	2		-	80°	80°	L	2		70°	70°	母针芯 Female	公针芯 Male	○	
	M	2	δ	-	110°	-	M	2	-	-	-	母针芯 Female	公针芯 Male	○	
	Y	3	-	-	-	-	Y	3	β	112.5°	126°	公针芯 Male	母针芯 Female	● ¹⁾	
				-	-	-	-				γ				100°
	R	5	-	α	-	-	-	R	5	α	-	-	公针芯 Male	母针芯 Female	●
				β	-	-	-			β	-	-			
				γ	-	-	-			γ	-	-			
δ				-	-	-	δ			-	-				