

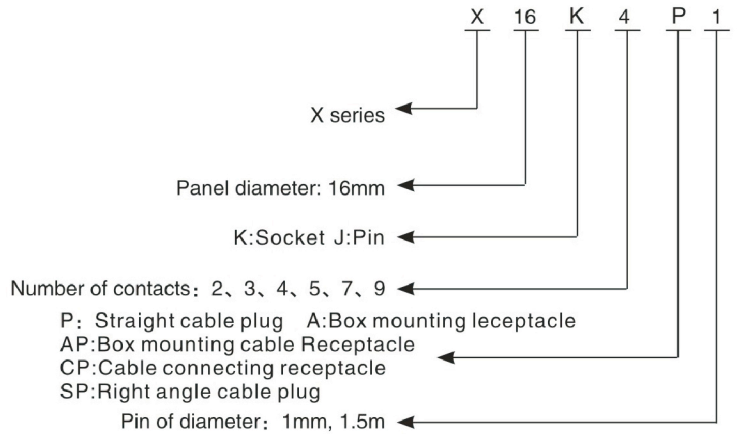
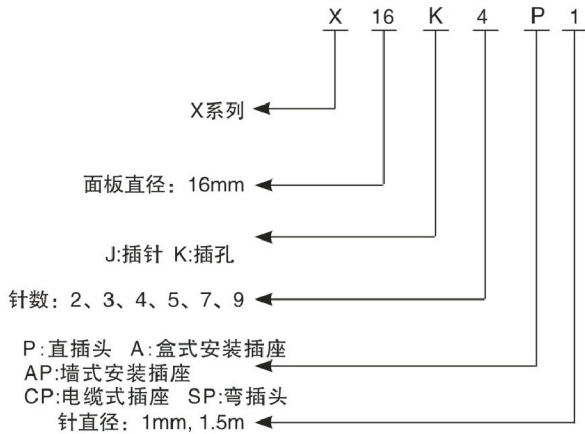
X16 防水连接器 | X16 waterproof connector

X16防水连接器根据俄罗斯的2PM标准设计而成。此连接器具有体积小,重量轻,使用方便,螺纹连接,防水性能好,高导电性和高绝缘强度高耐久性。此设计有直形和弯形两种,面板直径16毫米,接触对有2,3,4,5,7,9针种。

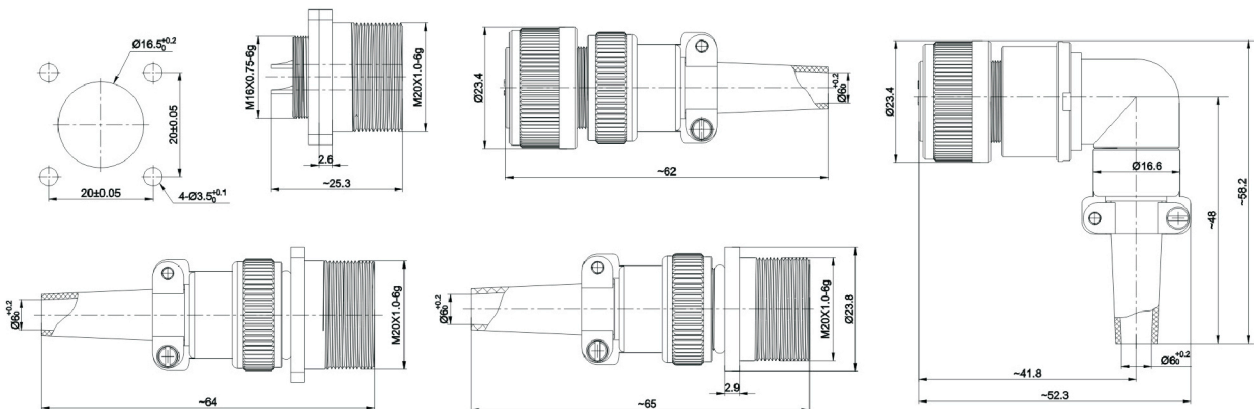
X16 waterproof connector is modified from Russian standard. These connectors have the features of small volume, light weight, convenient application, high durability of plugging and unplugging, threaded coupling, good sealing performance, high conductivity and high dielectric strength. Including straight and syphon, the diameter is 16mm, contact pair has 9 kinds, 2, 3, 4, 5, 7, 9 pin.



命名 How to order



外形和安装尺寸 Exterior and fixing dimension



	2	3	4	5	7	9
触点数目 No. of contacts						
额定电流/电压 Rated Current/voltage	10V-500V	10V-500V	10V-500V	5V-500V	5V-500V	5V-500V
工作电压(AC.V) Operatin Limit voltage	500V	500V	500V	500V	500V	500V
耐电压(AC.V) Withstanding voltage	1500V	1500V	1500V	1500V	1500V	1500V
绝缘阻抗(MΩ)DV500V Insulation resistance	2000	2000	2000	2000	2000	2000
接触阻抗(MΩ)DC 1A Contact resistance	2.5	2.5	2.5	5	5	5
接触直径 Contact Diameter	1.5	1.5	1.5	1.0	1.0	1.0