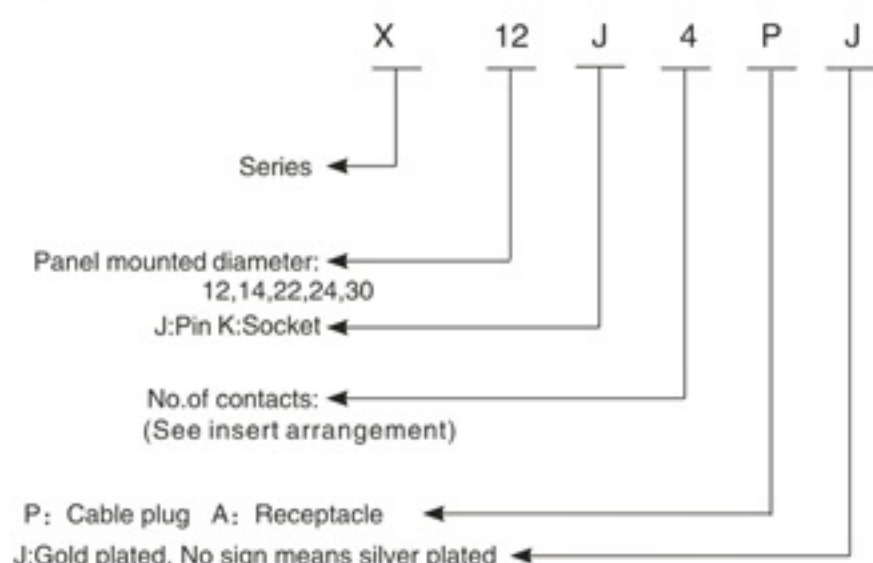


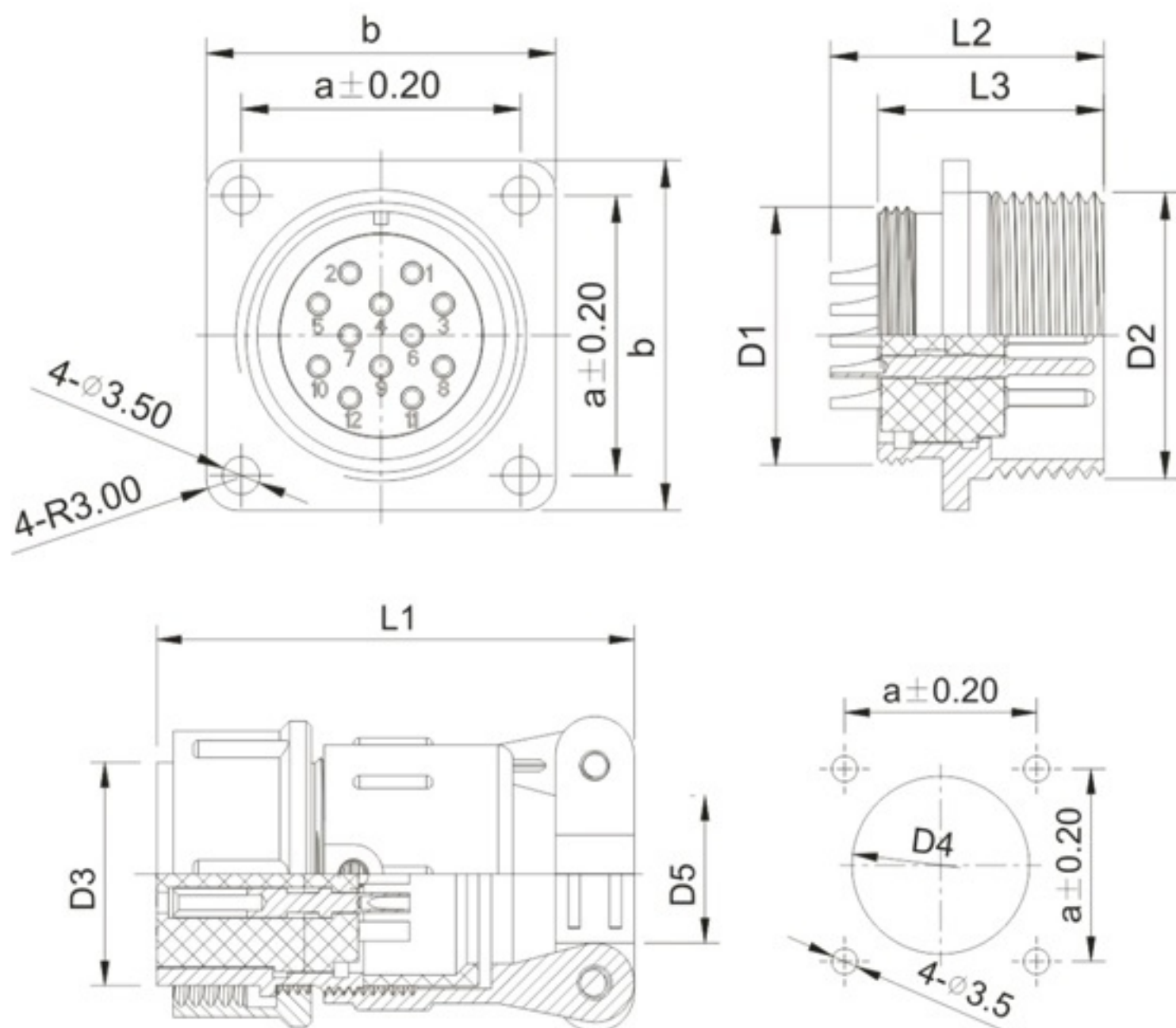
## How to order



## Service environmental condition

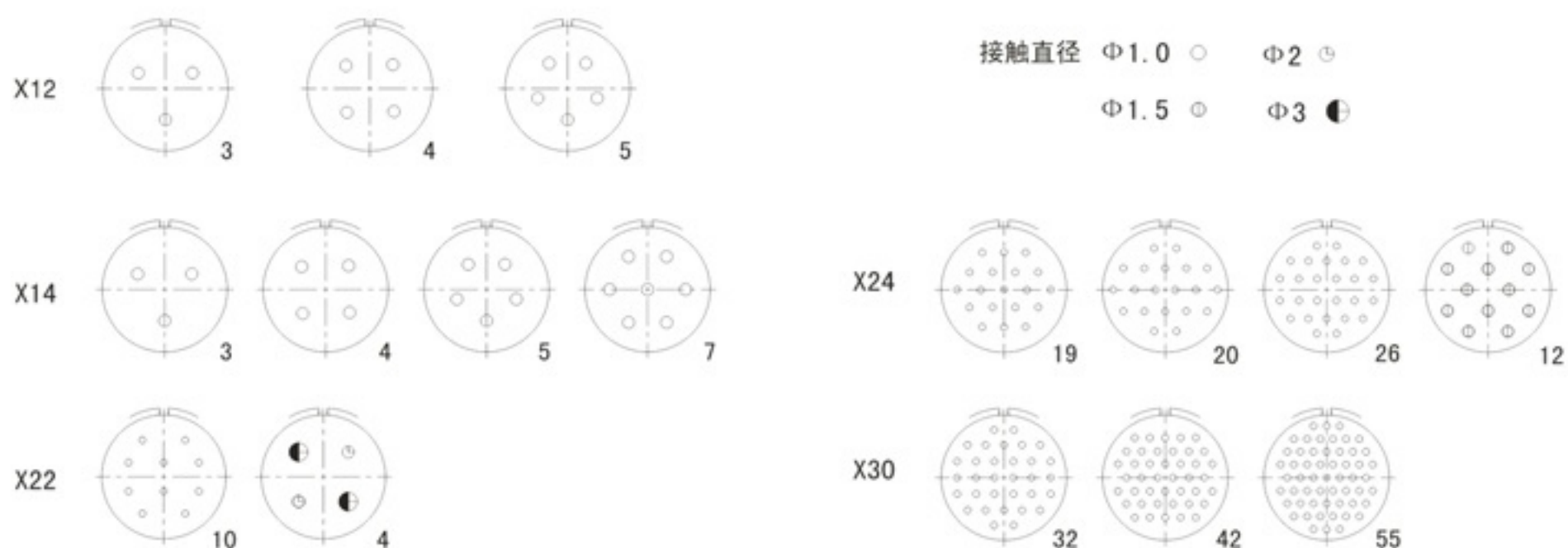
- Ambient temperature:  $-55 \sim +100^{\circ}\text{C}$
- Atmospheric pressure: Reach 1KPa
- Collision: Acceleration  $500\text{m/s}^2$
- Relative humidity: Temperature is 40 centigrade, reach 90%~95%
- Vibraton: Frequency  $10 \sim 100\text{HZ}$ , acceleration  $150\text{m/s}^2$
- Mechanical life: 500 times

## Dimensions

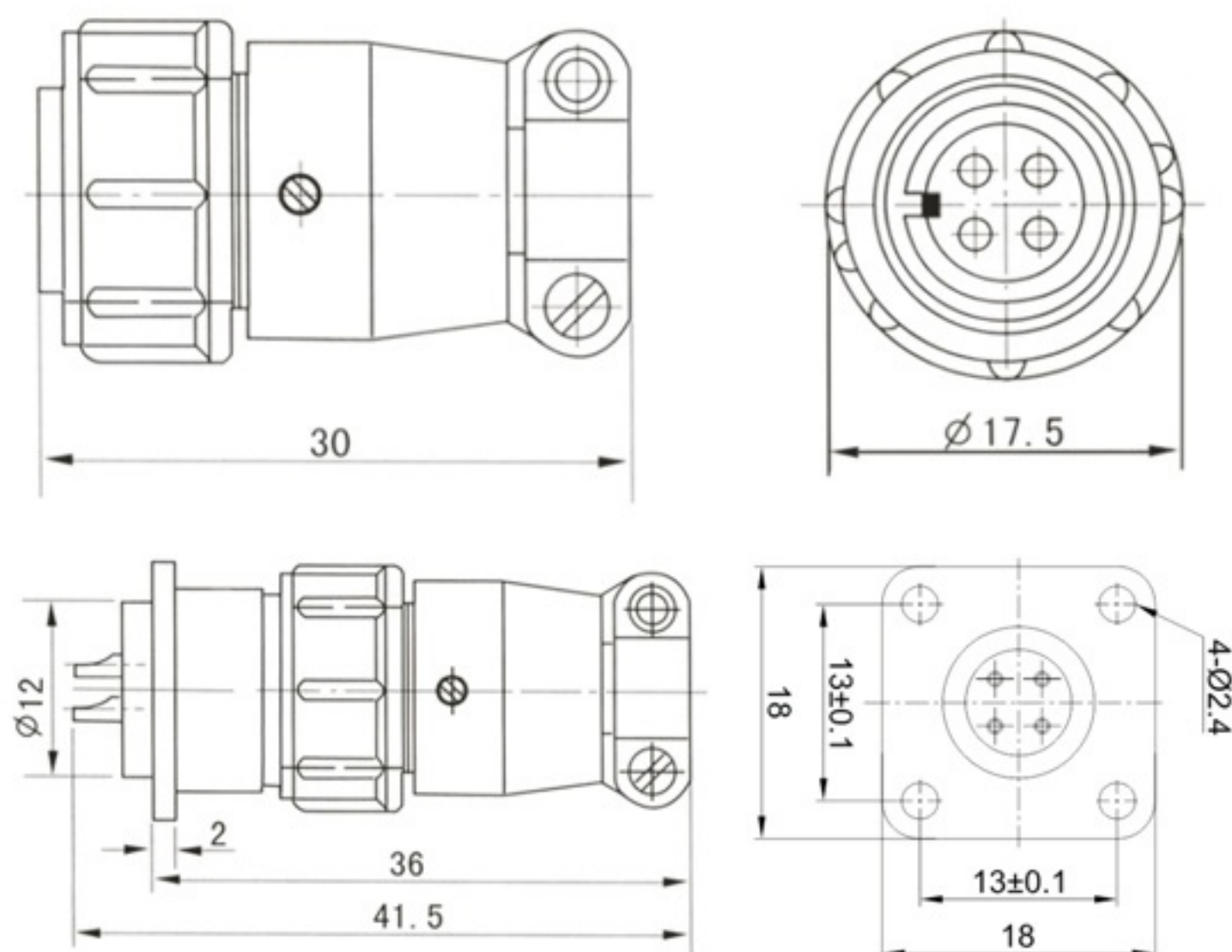


Type	Fixing dimension				Shape dimension				
	D1	D2	D3	D4	a	b	L1	L2	L3
X14	M14X1.0(左)	M16X1.0	11.4	14.5	17	24	39	23	21
X22	M22X1.0(左)	M24X1.0	19.6	22.5	23	30	47	23	21
X24	M24X1.0(左)	M27X1.5	22.6	25	26	33	47	23	21
X30	M30X1.0(左)	M33X1.5	28	31	31	38	47	23	21

## Insert arrangement



## Plug X12 4P



## Main technical parameters

Diameter of contact (mm)	Contact resistance ( $\Omega$ )	Working current (A)	Voltage ( $\leq 400\text{HZ}$ )	
			$\geq 3.5$	$\geq 2.8$
1	0.005	3	500V	400V
1.5	0.0025	10	500V	400V
2	0.0015	15	500V	400V
3	0.00075	30	500V	400V

## Experimental voltage(50Hz)

Contact centre distance (mm)	Normal(V)	Moisture test(V)
$\geq 3.5$	1500	1000
2.8	1000	800

Attentions: according to connectors of the contact amount, the rated current of each contact are following:  
 The amount of contact: 1-20, the rated current is 100%  
 The amount of contact: 21-32, the rated current is 80%  
 The amount of contact: 33-55, the rated current is 70%