

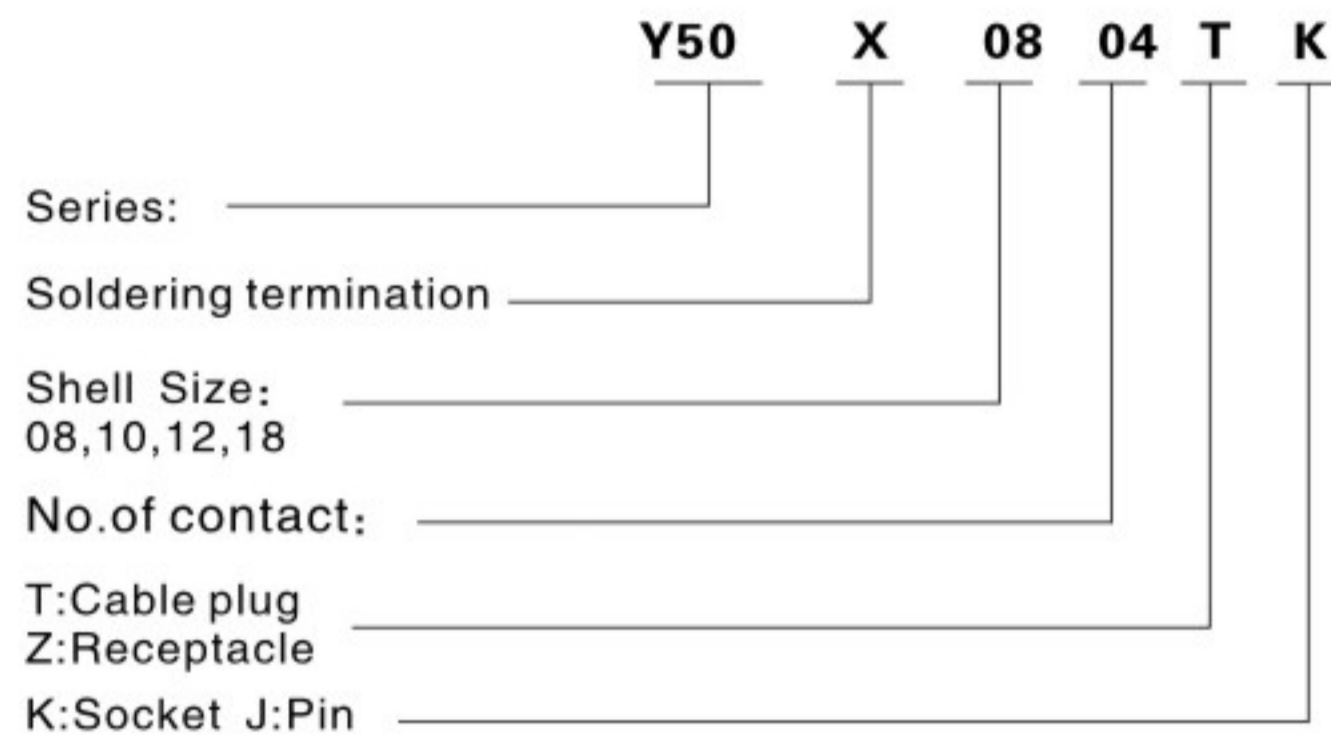
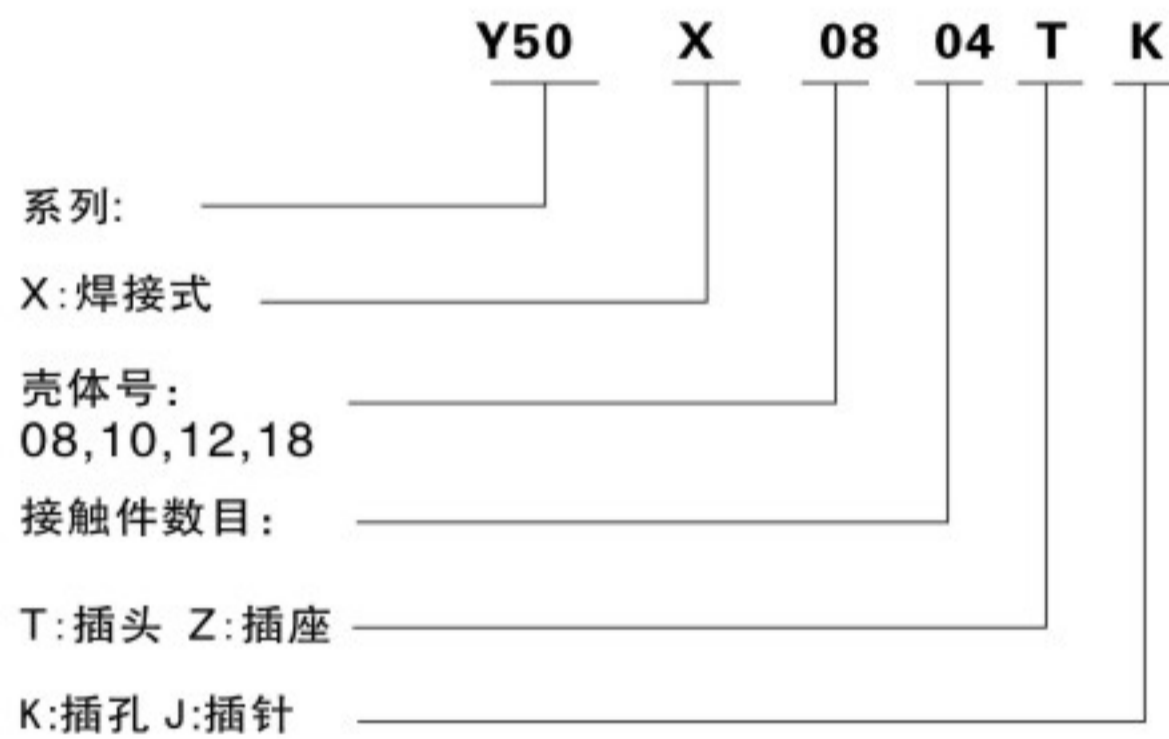
Y50 系列连接器 | Y50 series connector

Y50系列连接器具有快速连接与分离，体积小，重量轻，密封性能好，抗拉性能优之特点。本系列产品均参照GJB101A，适用于战略，战术系统，野外作业等电讯号、电能的连接。

Y50 series connectors owns quick connection and separation, small size, light weight, good sealing performance, the characteristics of the tensile properties superior. This series of products with reference to GJB101A, apply to the telecommunications number of the strategic, tactical systems, field operations, electricity connections.



命名 How to order



工作环境:

- 环境温度: $-55^{\circ}\text{C} \sim +100^{\circ}\text{C}$
- 大气压力: 达1KPa
- 碰撞: 加速度达 500m/s^2
- 相对湿度: $+40^{\circ}\text{C}$ 时达90% ~ 95%
- 振动: 振频10 ~ 100Hz, 加速度 150m/s^2
- 机械寿命: 500次

Working condition:

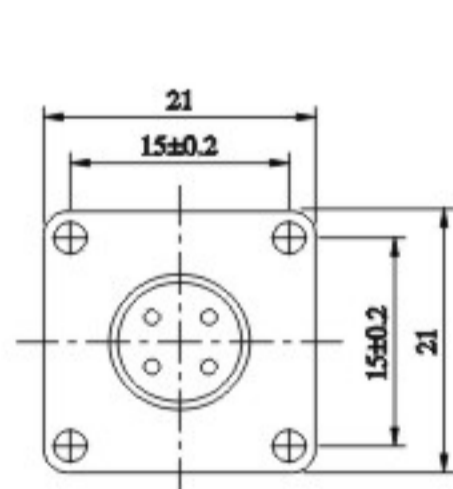
- Ambient temperature: $-55^{\circ}\text{C} \sim +100^{\circ}\text{C}$
- Atmospheric pressure: Up to 1KPa
- Collision: Acceleration 500m/s^2
- Relative humidity: Temperature is 40°C , reach 90% ~ 95%
- Vibration: Frequency 10 ~ 100Hz, acceleration 150m/s^2
- Mechanical life: 500 times

产品材质:

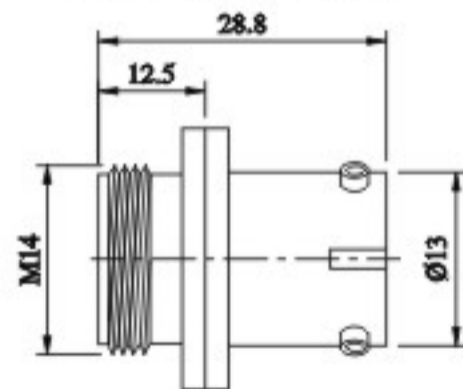
- 壳体材料: 压铸铝
- 表面处理: 军绿色电泳
- 绝缘体材料: PBT塑料
- 接触件材料: 铜合金镀银

Material:

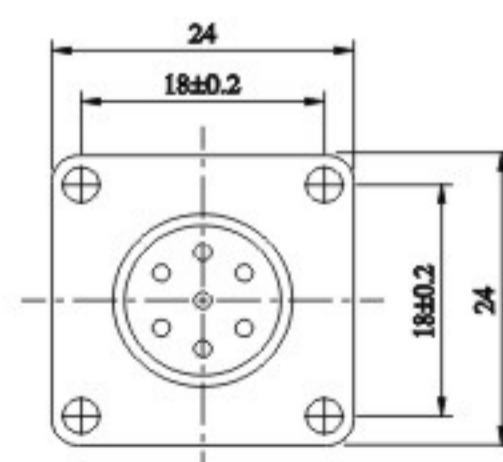
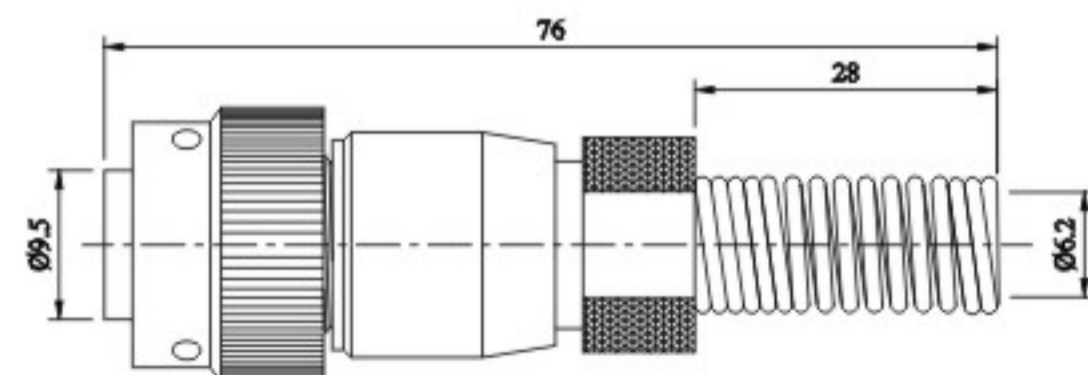
- Shell: Casting aluminum alloy
- Surface finish: Olive drab electrophoresis' painting
- Insulator: PBT Plastic
- Contacts :Copper alloy with silver plating



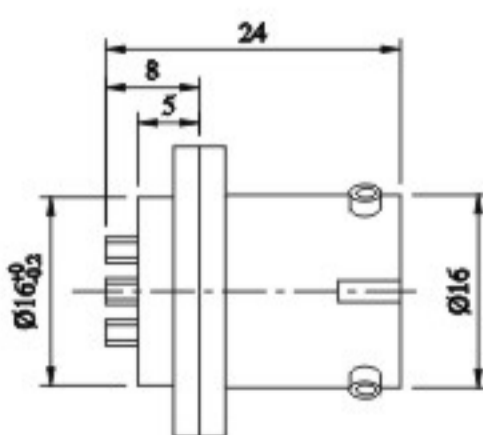
Y50X0804ZJ



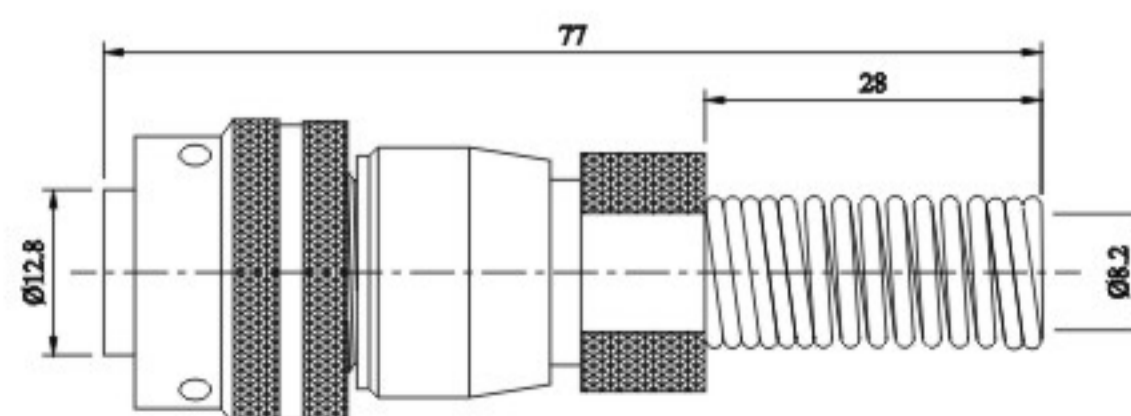
Y50X0804TK



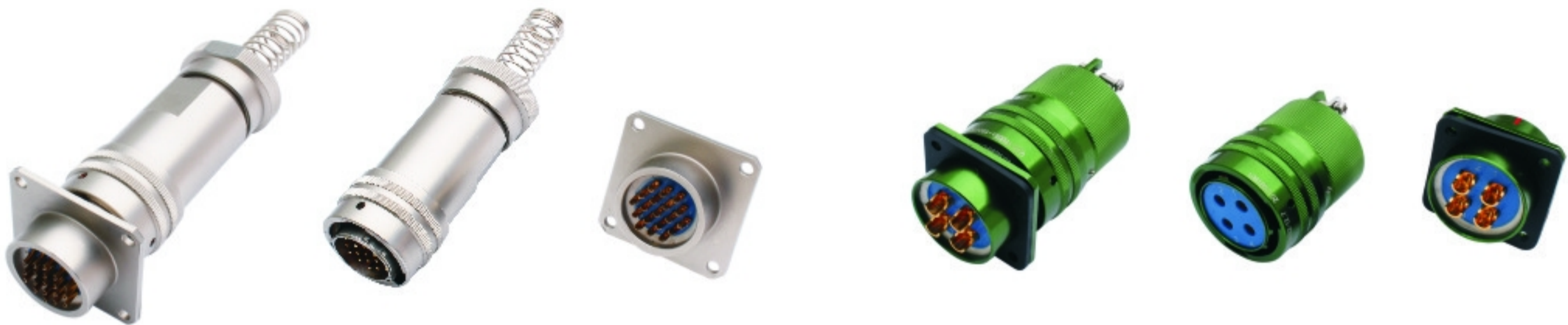
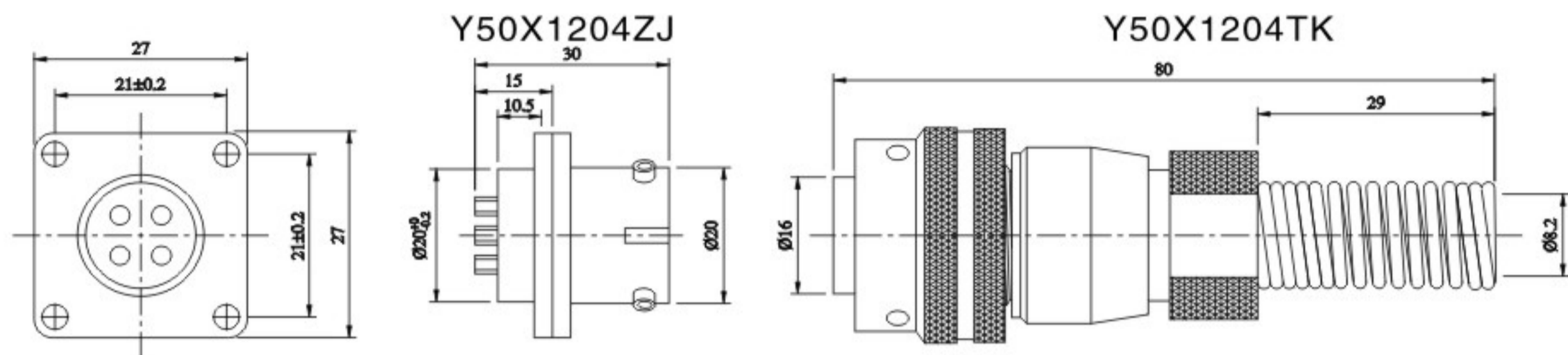
Y50X1007ZJ



Y50X1007TK



Y50 系列连接器 | Y50 series connector



接触件电阻 Contact resistance(Ω)	工作电流 Working current(A)	工作电压(≤400Hz) Working voltage(v)	试验电压(50Hz) Experimental voltage(V)
0.005	5	400	1200

