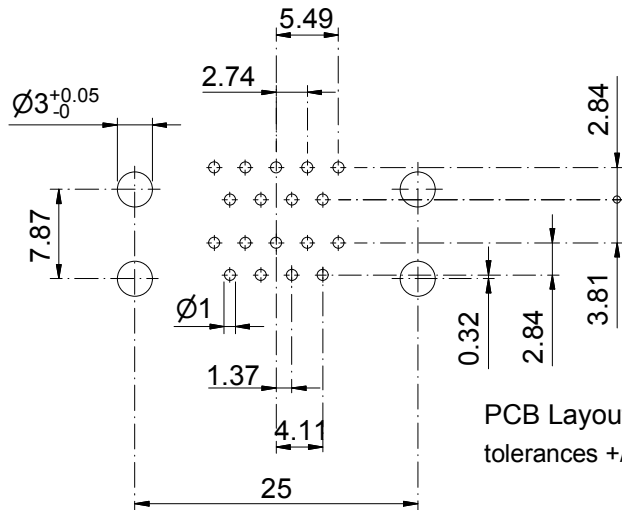
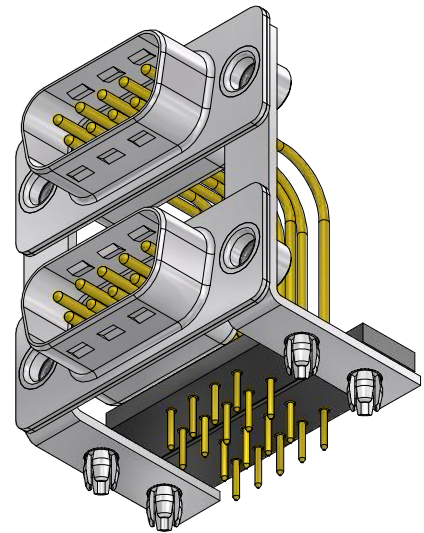
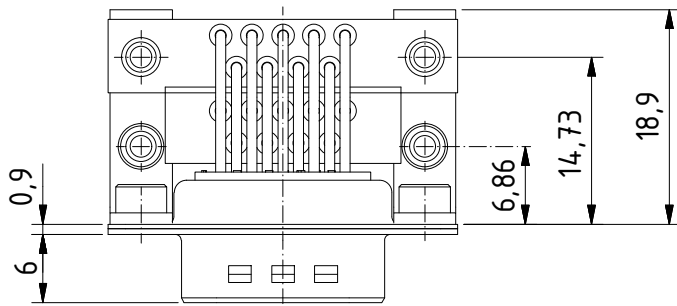
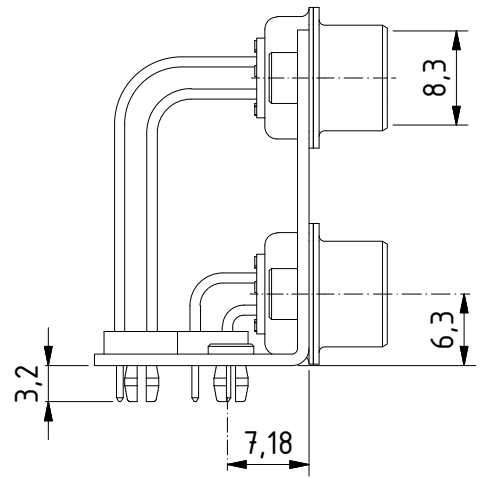
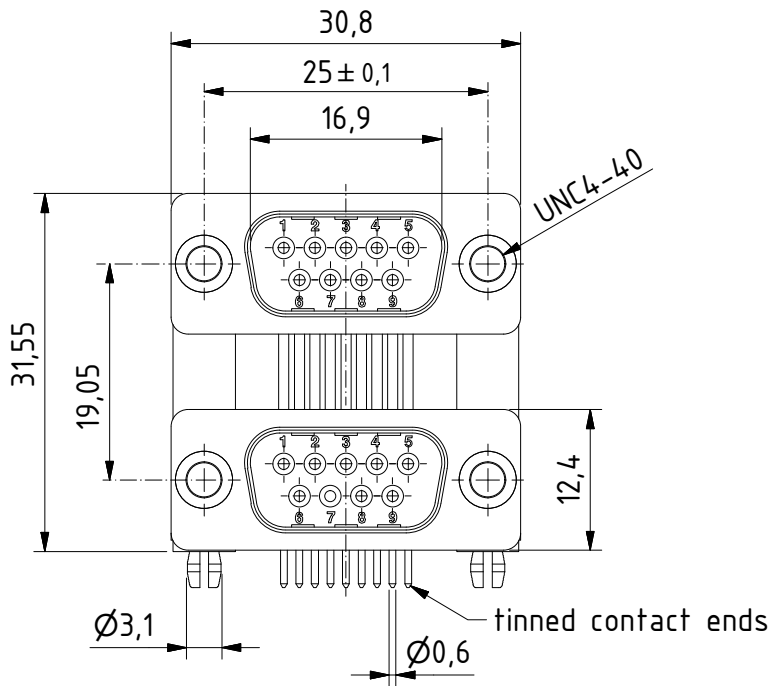


RoHS compliant



PCB Layout  
tolerances +/-0.1

**MATERIALS**

- Insulator: Thermoplastic UL 94-V-0 white
- Contact: Copper alloy
- Contact finish: Quality class 2
- Shell: steel tin plated

**CHARAKTERISTICS**

- Working voltage: 125V
- Current rating: 5A
- Contact resistance: max. 10mΩ - DIN41652
- Insulation resistance: >5GΩ
- Temperature range: -55° to +125°C

General tolerances (Deltron standard)	
size in mm	
> 0.5	> 30
up to 3	up to 30
up to 6	up to 6
up to 120	up to 120
tolerances	
±0.1	±0.2
±0.2	±0.3

modification	Rev.	Rev.	Rev.	DE004206 part no.
	Rev.	Rev.	Rev.	
DPB09PN74/09PN74-S/2	1.5:1 scale	drawn	05.11.2013	mw
		checked		
		approved		
 Industrie Neuhof 8c CH-3422 Kirchberg		K050753 drawing no.		