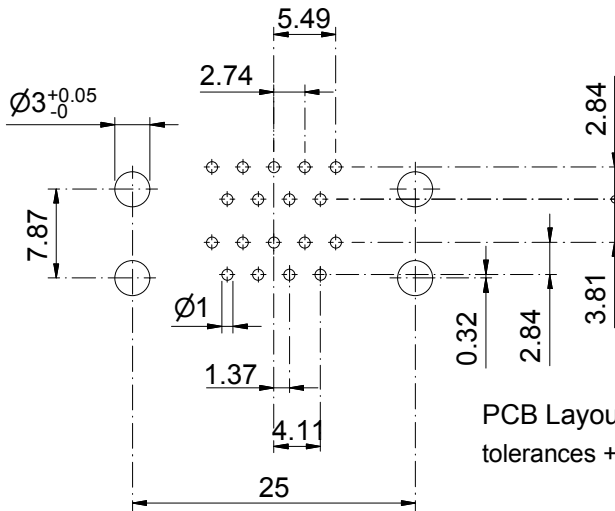
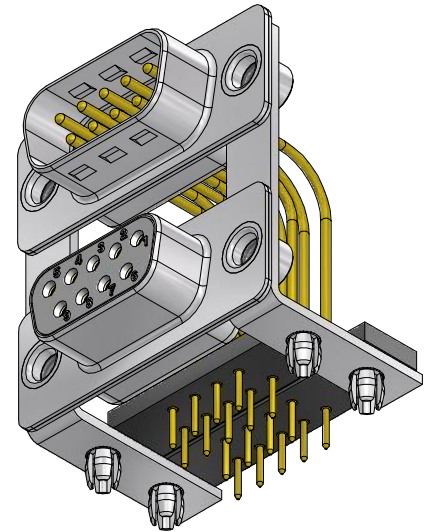
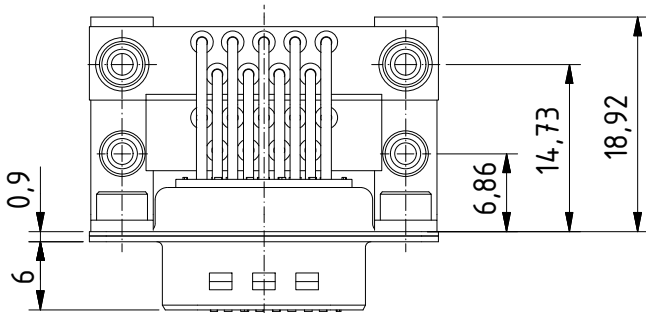
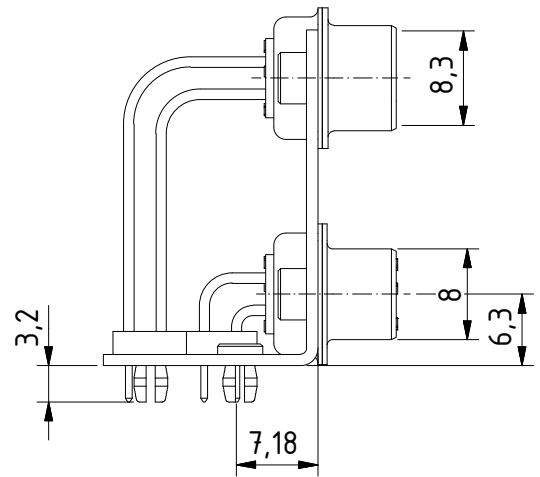


RoHS compliant



PCB Layout  
tolerances +/-0.1

**MATERIALS**

- Insulator: Thermoplastic UL 94-V-0 white
- Contact: Copper alloy
- Contact finish: Quality class 2
- Shell: steel tin plated

**CHARAKTERISTICS**

- Working voltage: 125V
- Current rating: 5A
- Contact resistance: max. 10mΩ - DIN41652
- Insulation resistance: >5GΩ
- Temperature range: -55° to +125°C

General tolerances (Delttron standard)	
size in mm	
> 0.5	±0.1
up to 3	±0.2
up to 6	±0.2
up to 30	±0.2
> 6	±0.2
up to 30	±0.2
> 30	±0.3
up to 120	±0.3
tolerances	

modification	Rev.	Rev.	Rev.	DE008442 part no.
	Rev.	Rev.	Rev.	
DPB09PN74/09SN74-S/2	1.5:1 scale	drawn	29.04.2013	mw
		checked		
		approved		
 Industrie Neuhof 8c CH-3422 Kirchberg				K060122 drawing no.