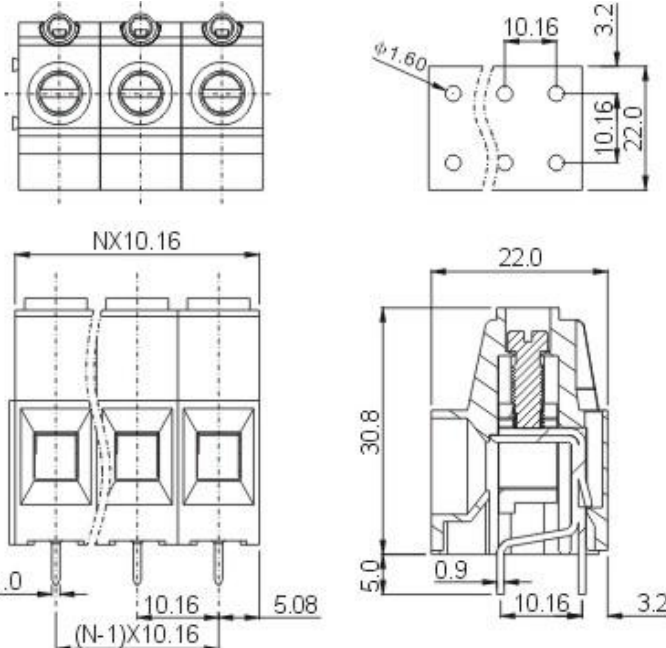


**DG136HT-10.16**



### APPROVAL



### Electrical

Standard	<b>UL</b>	<b>IEC</b>
Rated voltage	300V	1000V
Rated current	60A	65A
Wire range	20-6AWG	2.5-16mm <sup>2</sup>
Withstanding voltage	AC3500V/1Min	

### Menchanical

Torque	1.7Nm(15.0Lb-In)	
Ambient temperature	-40 ~+105	
Strip length	10mm	

### Dimensions

pitch	10.16mm(.400")	
Poles	2P,3P-24P	

### Material

Housing	PA66,UL94 V-0
Screws	M4,Brass, Ni-plated
Pin header	Copper,Tin-plated
Cage	Brass,Ni-plated

### HOW TO ORDER :

-  **P** -   - 
 

X	X	X
Customer Request		

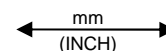
Series number

No. of pole

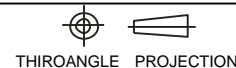
1	Single pitch
2	Double pitch

### Color

1	Grey	4	Green	7	Trans Parent
2	Blue	5	Orange	8	Yellow
3	Black	6	Red	9	White



DEGSON ELECTRONICS CO., LTD.



NAME

**DG136HT-10.16**