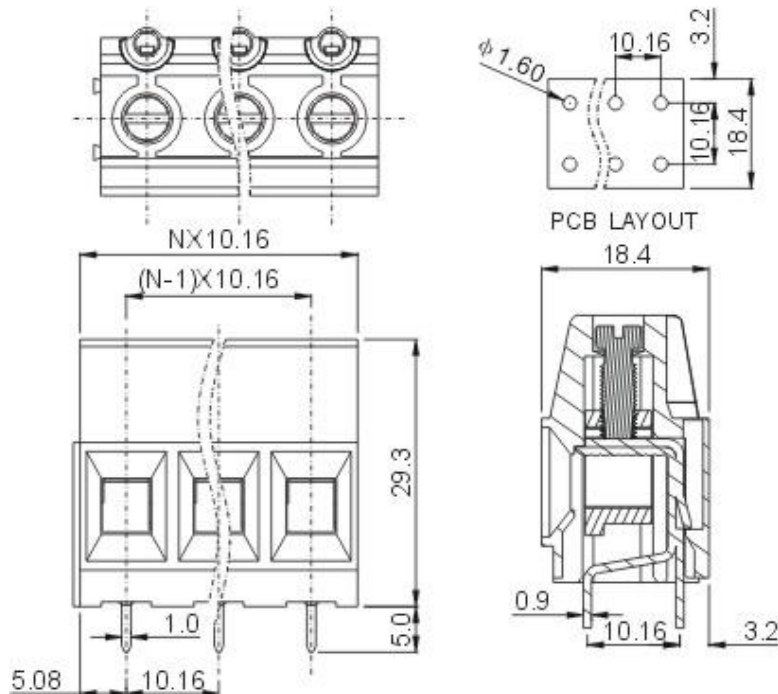


DG136T-10.16



APPROVAL

Electrical

Standard

Rated voltage

Rated current

Wire range

Withstanding voltage



UL

300V

60A

20-6AWG

IEC

1000V

65A

2.5-16mm²

AC3500V/1Min

Menchanical

Torque

Ambient temperature

Strip length

Dimensions

pitch

Poles

1.7Nm(15.0Lb-In)

-40 ~+105

10mm

10.16mm(. 400")

2P,3P-24P

Material

Housing

Screws

Pin header

Cage

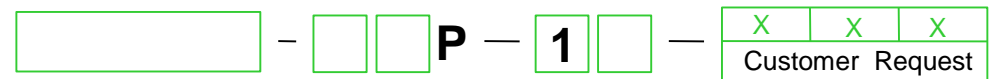
PA66,UL94V-0

M4,Steel, Cr³⁺Niplated

Copper,Tin-plated

Brass,Ni-plated

HOW TO ORDER :



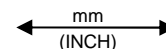
Series number

No. of pole

1	Single pitch
2	Double pitch

Color

1 Grey	4 Green	7 Trans Parent
2 Blue	5 Orange	8 Yellow
3 Black	6 Red	9 White



DEGSON ELECTRONICS CO., LTD.

NAME

DG136T-10.16