

DG140S/V/R-5.0



DG140V-5.0

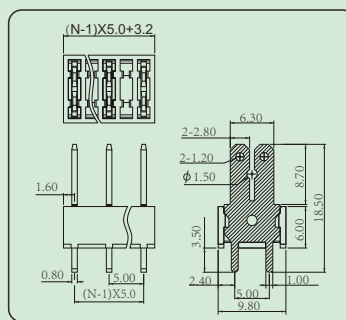


DG140S-5.0

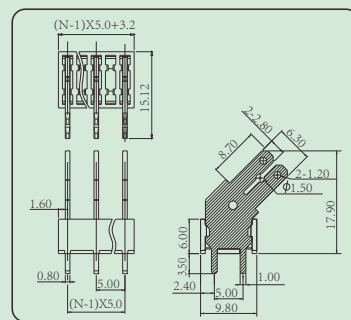


绝缘型插套 Insulating joint
1×2.8mm(0.110inch) or 1×6.3mm (0.250inch)
裸型插套 Naked terminal
2×2.8mm(0.110inch) or 1×6.3mm(0.250inch)

- 1. 快速插接连接技术 ;
- 2. 90° , 135° , 180°三种不同的接线角度可选择 ;
- 1. Fast connection technology
- 2. Available for 90°,135°,180°wiring direction.



DG140V-5.0



DG140S-5.0

技术参数 Technical Data

型号 Model	线径 Wire range	线数 Poles	IEC技术参数 (datasheet)		UL技术参数 (datasheet)	
			电压(V) Rated voltage	电流(A) Rated current	电压(V) Rated voltage	电流(A) Rated current
DG140V-5.0	0.2-2.5mm ² /26-14AWG	02-10P	630V	24A	300V	15A
DG140S-5.0	0.2-2.5mm ² /26-14AWG	02-10P	630V	24A	300V	15A

产品应用领域 Application

新能源行业等 New energy industry etc.



产品包装方式 Packing

Product model	Pcs./Pkt.	Product model	Pcs./Pkt.
DG140V-5.0-02P	400	DG140V-5.0-08P	720
DG140V-5.0-03P	300	DG140V-5.0-09P	680
DG140V-5.0-04P	600	DG140V-5.0-10P	575
DG140V-5.0-05P	500	DG140V-5.0-11P	500
DG140V-5.0-06P	400	DG140V-5.0-12P	450
DG140V-5.0-07P	850	—	—

产品订货 How to order

