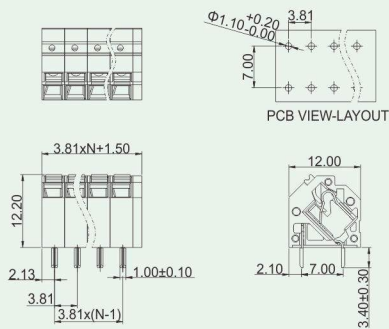
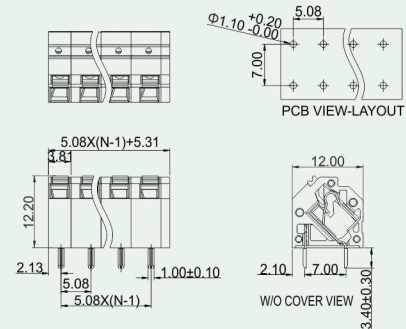


DG246-3.81/5.08

- PUSH-IN 弹簧结构, 接线方便快捷, 直接插入;
- 45°进线, 节省空间;
- 最大线径: 1.5mm².
- Push-in structure, easy connection;
- 45° wire connection, save space;
- Max. Wire range 1.5mm².



DG246-3.81



DG246-5.08

技术参数 Technical Data

APPROVAL: CE

型号 Model	线径 Wire range	线数 Poles	IEC60947技术参数 (IEC60947 datasheet)		UL1059技术参数 (UL1059 datasheet)	
			电压(V) Rated voltage	电流(A) Rated current	电压(V) Rated voltage	电流(A) Rated current
DG246-3.81	0.2-1mm ² /24-16AWG	2P-XXP	160	9	300	10
DG246-5.08	0.2-1mm ² /24-16AWG	2P-XXP	320	9	300	10

应用行业 Application

工业自动化、电梯、仪器仪表、电源、轨道交通、电力电气、安防行业。
Industrial automation, elevator, instrument, power supply, rail transport, electric power, security etc.



产品包装方式 Packing

Product model	Pcs./Pkt.
DG246-3.81/5.08-02P	50
DG246-3.81/5.08-03P	50
DG246-3.81/5.08-04P	50
DG246-3.81/5.08-05P	50
DG246-3.81/5.08-06P	50
DG246-3.81/5.08-07P	50

Product model	Pcs./Pkt.
DG246-3.81/5.08-08P	50
DG246-3.81/5.08-09P	50
DG246-3.81/5.08-10P	50
DG246-3.81/5.08-11P	50
DG246-3.81/5.08-12P	50

型号对照 Cross Reference

DEGSON	同行1/ Competitor1	同行2/ Competitor2
DG246-3.81	SPTA1/X-3.81	—
DG246-5.08	SPTA1/X-5.08	—

产品订货 How to order

DG246-3.81/5.08	X	X	P	1	4	0 0 AH Standard
Series No.	No. of Pole					
	1 Single pitch	2 Double pitch				通用色 General Color 4 Green PANTONE 556C DEGSON 04