

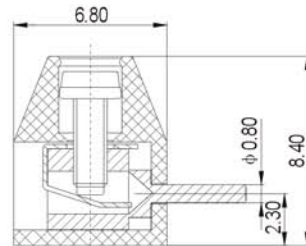
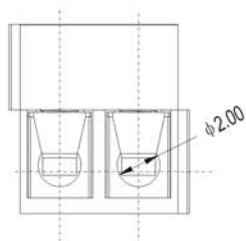
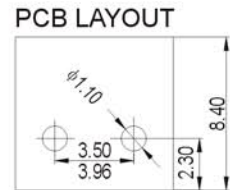
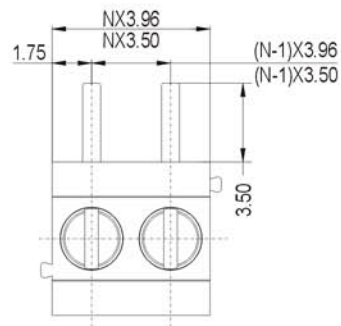


DEGSON ELECTRONICS CO., LTD.

Product Specification



Material	
Screws :	M2 steel Zinc plated
Wire guard:	Stainless steel
Pin header:	Brass, Tin plated
Housing :	PA66, UL94V-0
Electrical	
Rated voltage :	300V
Rated current :	7A
Contact resistance :	20mΩ
Insulation resistance :	5000MΩ /DC1000V
Withstanding voltage:	AC2000V/1Min
Wire range :	24-18AWG 1.0mm ²
Mechanical	
Temp. Range :	-40°C~+105°C
Torque :	0.2Nm(1.7lb.in)
Strip length :	4.5-5mm



HOW TO ORDER:

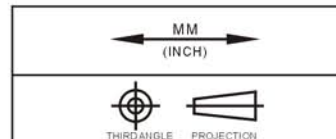


Series No.

No of Pole

Color

1 Gray	4 Green	7 Trans- parent
2 Blue	5 Orange	8 Yellow
3 Black	6 Red	9 White



DEGSON ELECTRONICS CO., LTD.

NAME

DG350R-3.5
DG350R-3.96