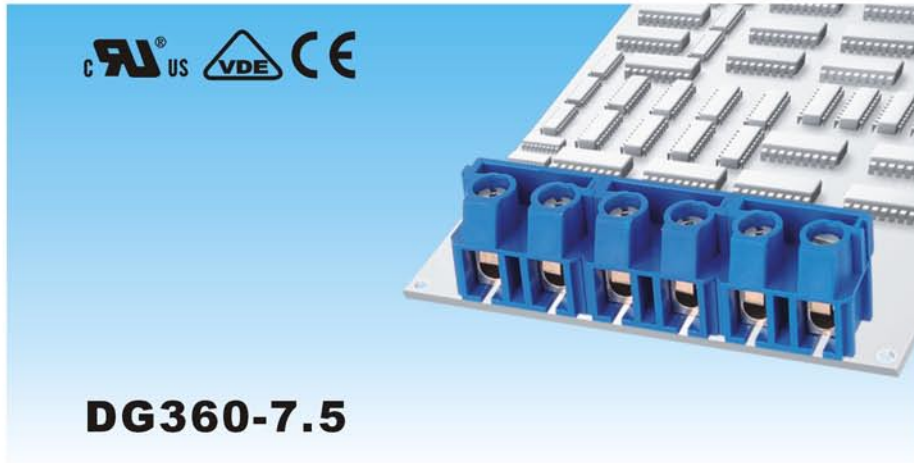


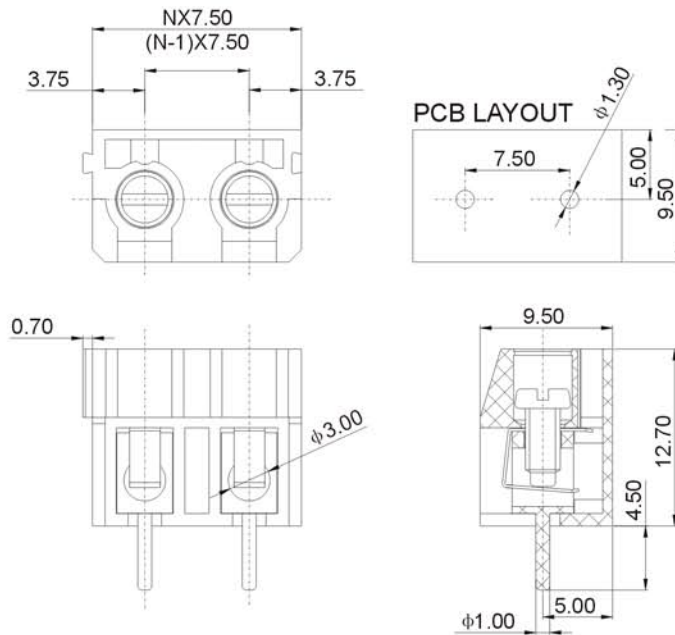


# DEGSON ELECTRONICS CO., LTD.

## Product Specification



**DG360-7.5**



Material	
Screws :	M3 steel Zinc plated
Wire guard:	Stainless steel
Pin header:	Brass, Tin plated
Housing :	PBT, UL94V-0
Electrical	
Rated voltage :	300V
Rated current :	15A
Contact resistance :	20m $\Omega$
Insulation resistance :	5000M $\Omega$ /DC 1000V
Withstanding voltage:	AC2000V/1Min
Wire range :	22-14AWG 2.5mm <sup>2</sup>
Mechanical	
Temp. Range :	-30°C~+120°C
Torque :	0.5Nm(4.5lb.in)
Strip length :	4.5-5mm

### HOW TO ORDER:

**DG360-7.5** -   **P** -   - 

X	X	X
---	---	---

  
Customer Request

**Color**

1 Gray	4 Green	7 Trans- parent
2 Blue	5 Orange	8 Yellow
3 Black	6 Red	9 White

**Series No.**      **No of Pole**

	<b>DEGSON ELECTRONICS CO., LTD.</b>
	<b>NAME</b> <b>DG360-7.5</b>