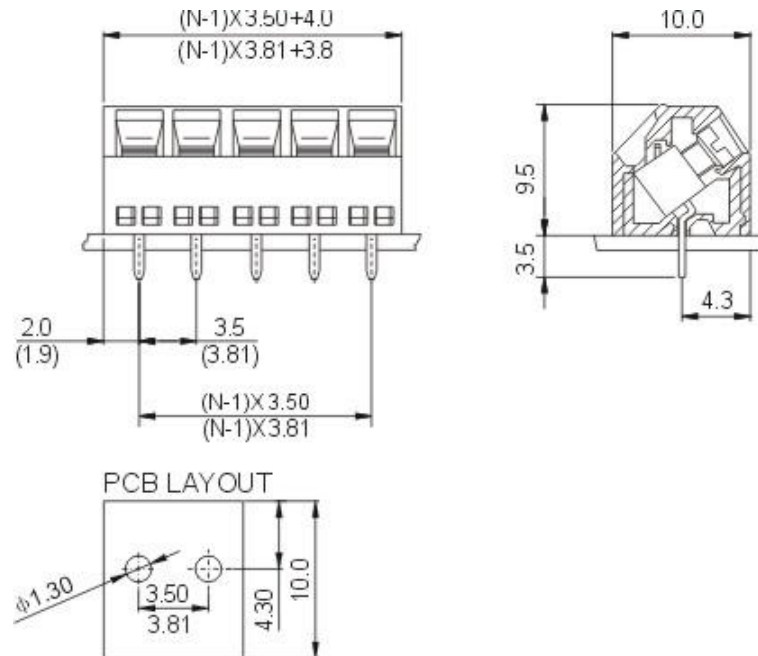




**DG381S-3.5**

**DG381S-3.81**



<b>APPROVAL</b>		
<b>Electrical</b>		
Standard	<b>UL</b>	<b>IEC</b>
Rated voltage	300V	130V
Rated current	10A	10A
Wire range	26-16AWG	0.2-1.5mm <sup>2</sup>
Withstanding voltage	AC1250V/1Min	
<b>Mechanical</b>		
Torque	0.2Nm(1.7Lb-In)	
Ambient temperature	-40°C ~ +105°C	
Strip length	5mm	
<b>Dimensions</b>		
pitch	3.5mm(.138" ) 3.81mm(.150" )	
Poles	2P,3P-24P	
<b>Material</b>		
Housing	PA66,UL94V-0	
Screws	M2,Steel, Cr <sup>3+</sup> Znplated	
Pin header	Phosphor bronze,Tin-plated	
Cage	Brass,Ni-plated	

### HOW TO ORDER :



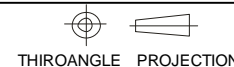
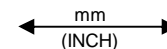
Series number

No. of pole

1	Single pitch
2	Double pitch

#### Color

1	Grey	4	Green	7	Trans Parent
2	Blue	5	Orange	8	Yellow
3	Black	6	Red	9	White



DEGSON ELECTRONICS CO., LTD.

NAME

**DG381S-3.5 DG381S-3.81**