

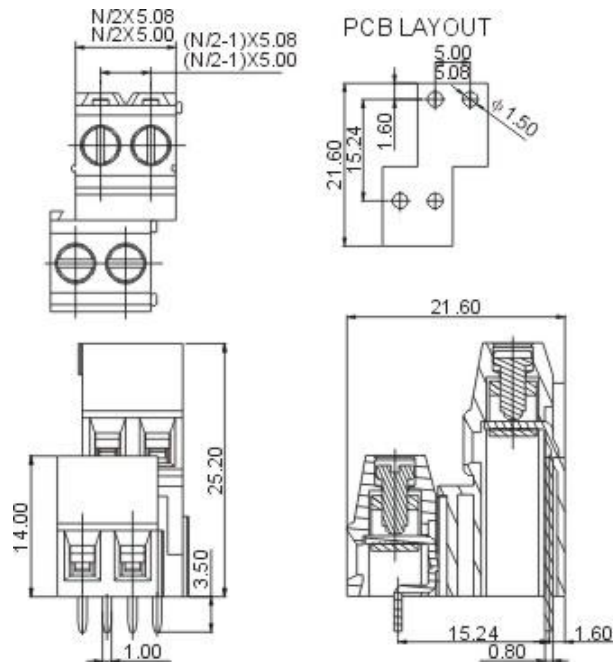


DEGSON ELECTRONICS CO., LTD.

Product Specification

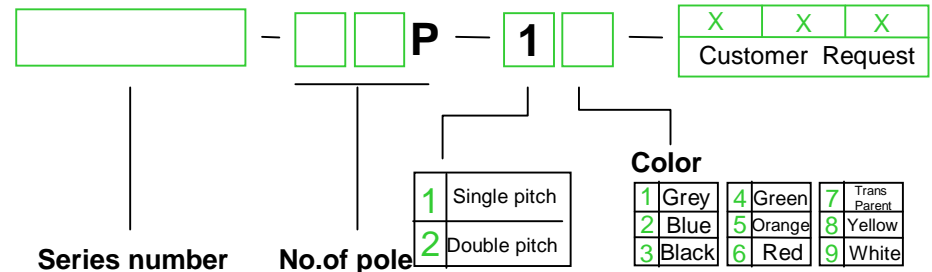


DG500B-5.0
DG500B-5.08



APPROVAL		
Electrical	UL	IEC
Standard	300V	250V
Rated voltage	10A	18A
Rated current	24-12AWG	2.5mm ²
Wire range	AC2000V/1Min	
Withstanding voltage		
Mechanical		
Torque	0.4Nm(3.5Lb-In)	
Ambient temperature	-40°C ~ +105 °C	
Strip length	7mm	
Dimensions		
pitch	5.0mm(.197") 5.08mm(.200")	
Poles	2*(2P,3P-24P)	
Material		
Housing	PA66,UL94V-0	
Screws	M2.5,Steel, Cr ³⁺ Znplated	
Pin header	Brass,Tin-plated	
Case	Brass,Ni-plated	

HOW TO ORDER :



mm (INCH)	DEGSON ELECTRONICS CO., LTD.
THROANGLE PROJECTION	NAME DG500B-5.0 DG500B-5.08