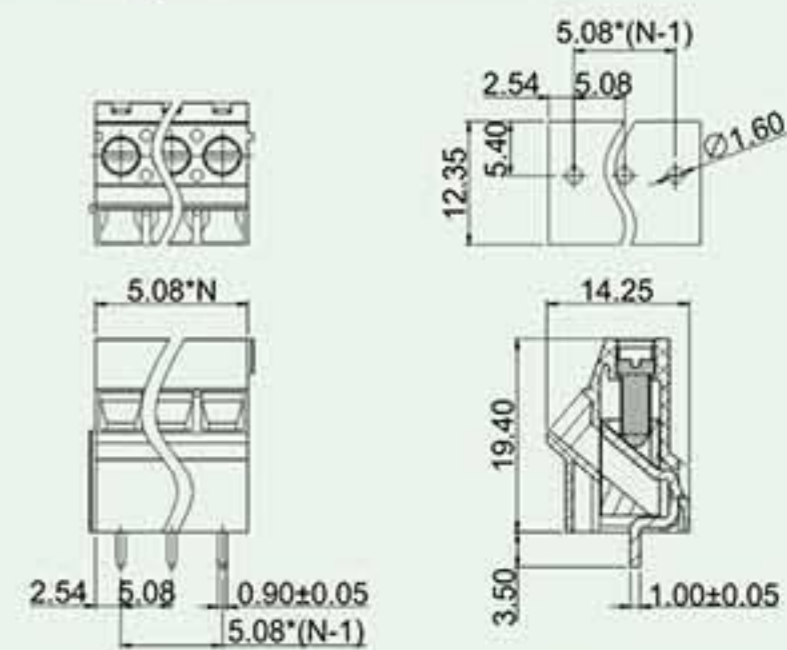


DG504-5.08

- PCB螺丝结构设计，接线牢固；
- 带拼脚，02-24P任意拼接；
- 40度进线方式，满足多排短间距使用要求；
- 最大线径：1.5mm²。
- Have firm connection with screw connection structure;
- Available from 2 poles to 24 poles can choose with the structure of the splice;
- Available from 2 poles to 24 poles can choose with the structure of the splice;
- Max. wire range : 1.5mm².



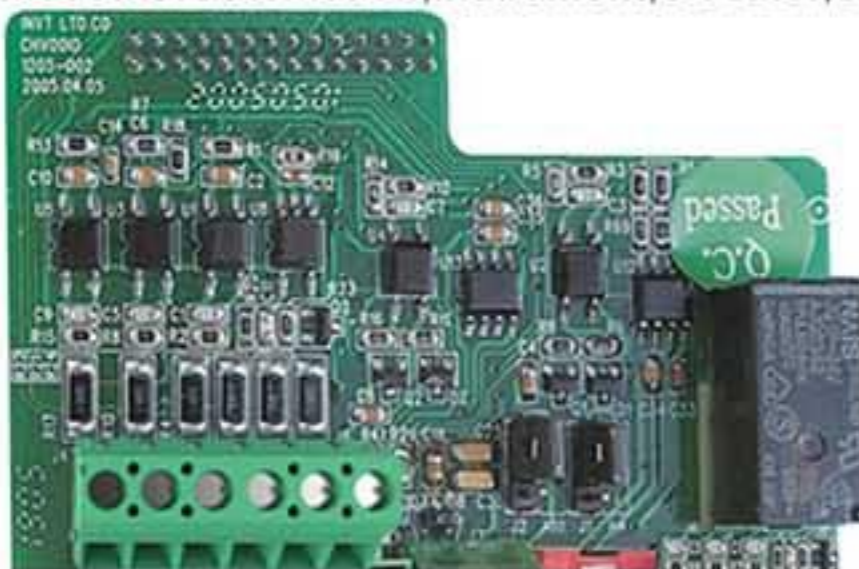
技术参数 Technical Data

APPROVAL: CE

型号 Model	线径 Wire range	线数 Poles	IEC60947技术参数 (IEC60947 datasheet)		UL1059技术参数 (UL1059 datasheet)	
			电压(V) Rated voltage	电流(A) Rated current	电压(V) Rated voltage	电流(A) Rated current
DG504-5.08	0.2-2.5mm ² /24-14AWG	1P-XXP	400	16	300	10

应用行业 Application

工业自动化、仪器仪表、电梯、电力电气等行业。
Industrial automation, instrument, elevator, electric power etc .



产品包装方式 Packing

Product model	Pcs./Pkt.
DG504-5.08-2P	50
DG504-5.08-3P	50
DG504-5.08-4P	50

型号对照 Cross Reference

DEGSON	同行1/ Competitor1	同行2/ Competitor2
DG504-5.08	SMKDS 2.5/X-5.08	—

产品订货 How to order

Series No.	No. of Pole	通用色 General Color	PANTONE	DEGSON
DG504-5.08	0 1 P	4 Green	PANTONE 556C	DEGSON 04
		1 Grey	PANTONE 430C	DEGSON 01
		8 Yellow	PANTONE 108C	DEGSON 08
		3 Black	PANTONE 419C	DEGSON 03
		2 Blue	PANTONE 3015U	DEGSON 02