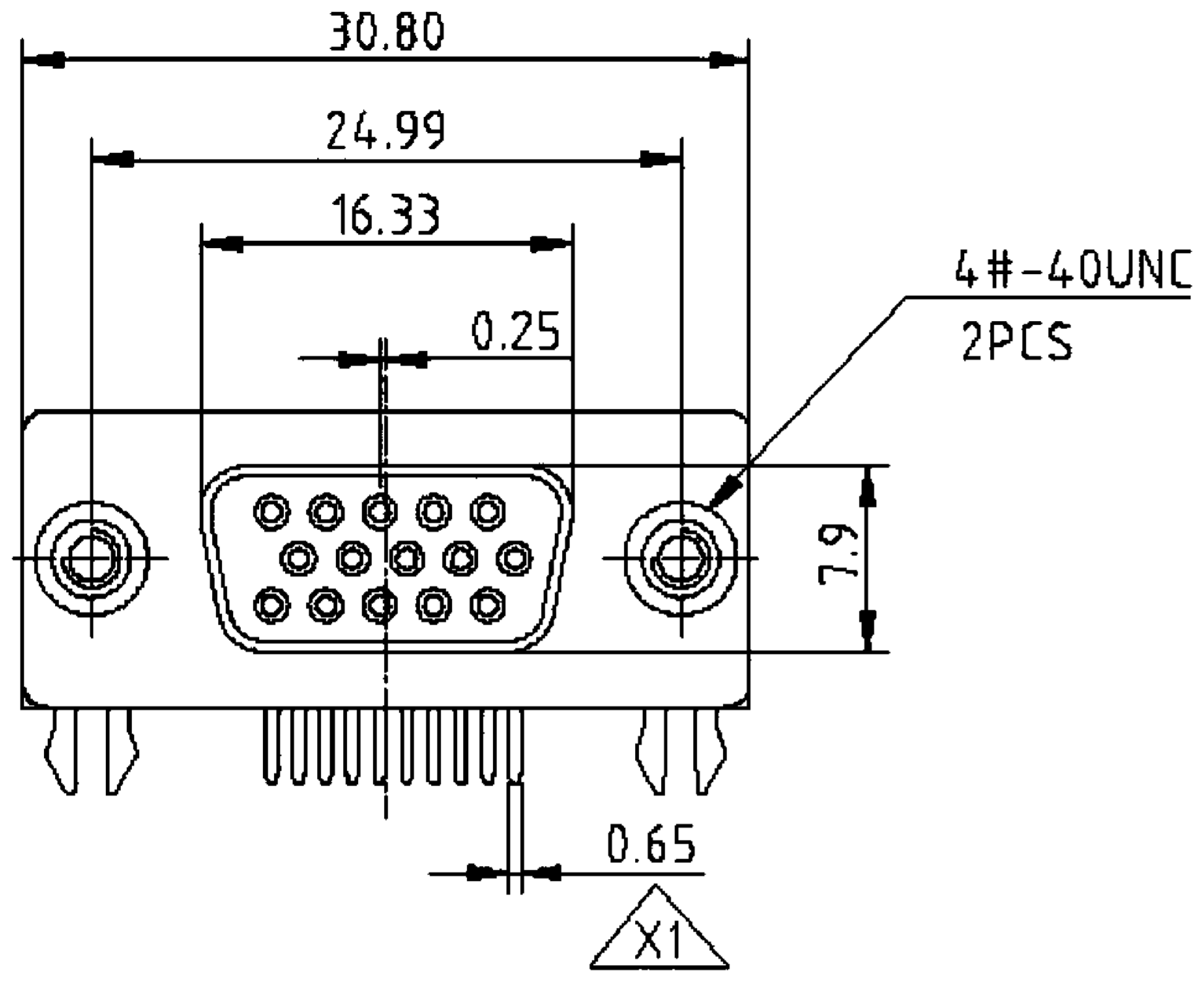


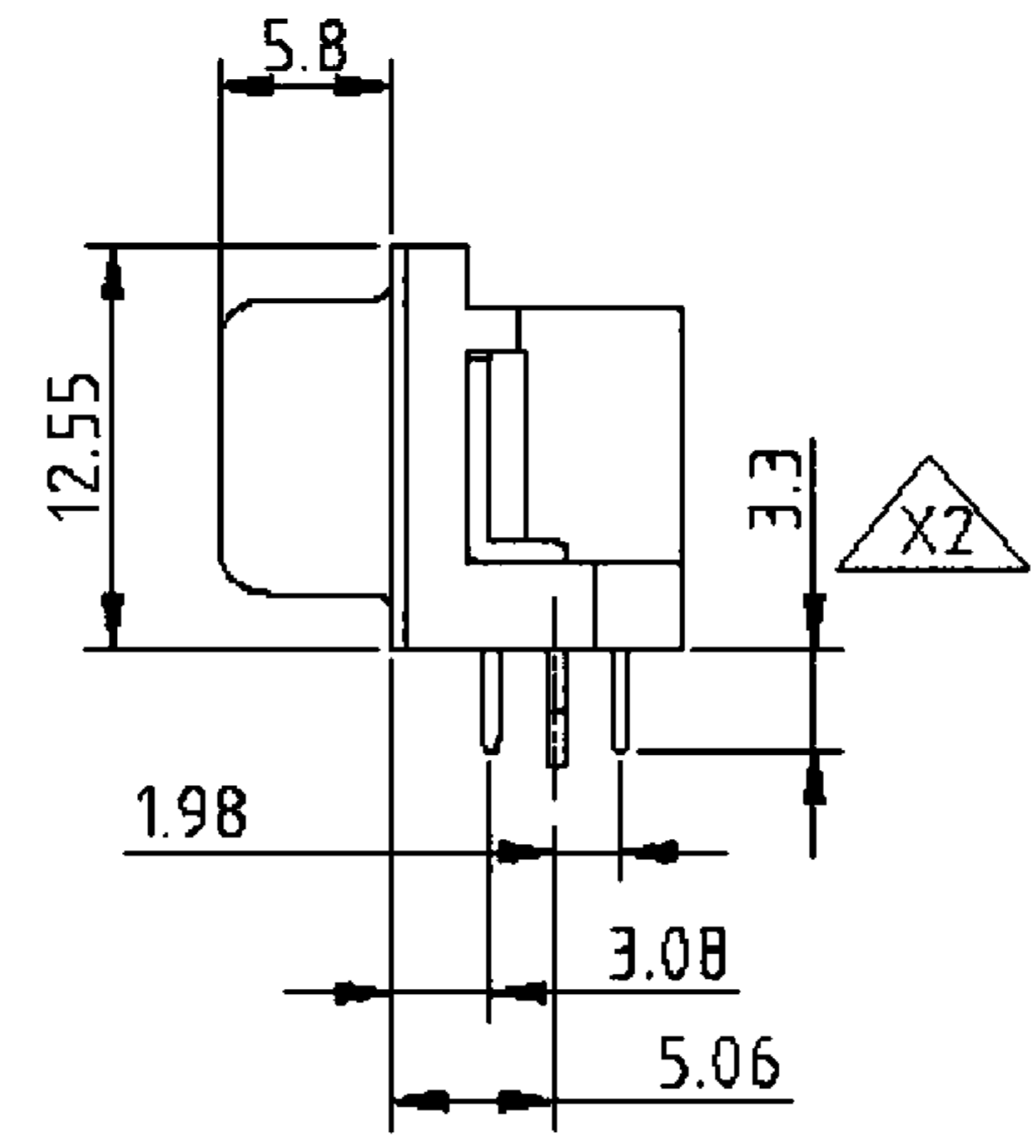
1 2 3 4 5 6 7 8

A  
B  
C  
D  
E  
F  
G  
H

A  
B  
C  
D  
E  
F  
G  
H

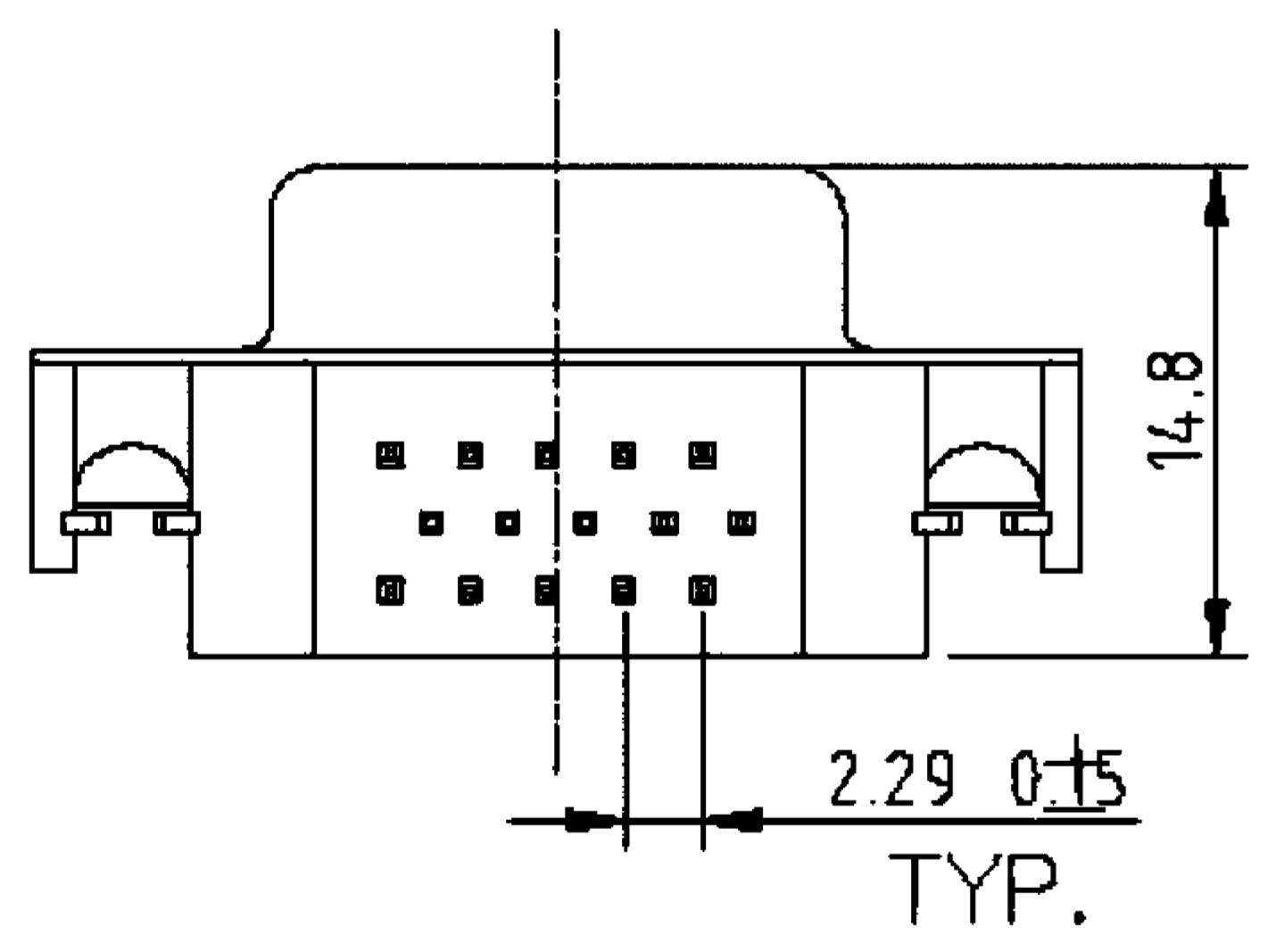


PN: C0523-15FBAXXR



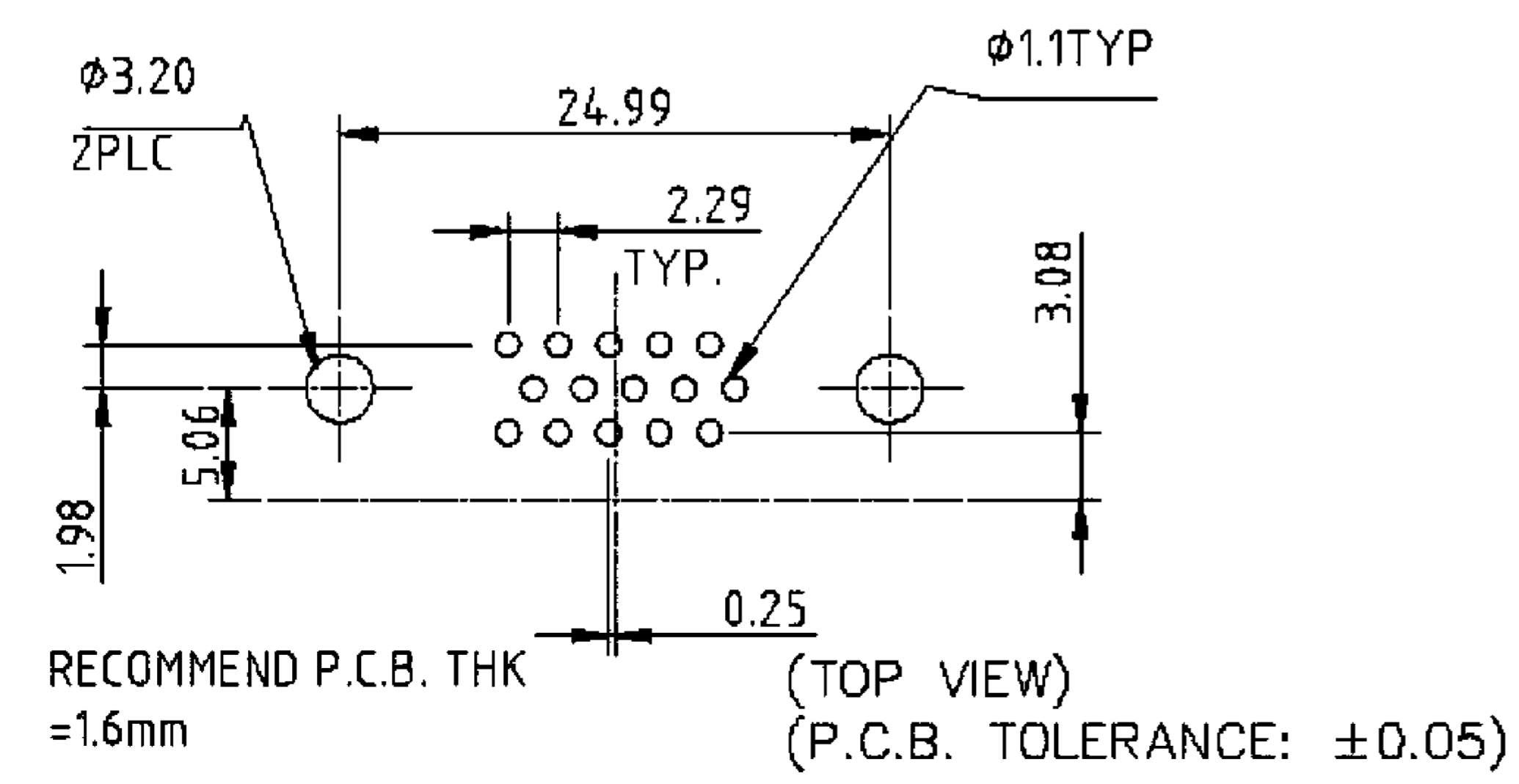
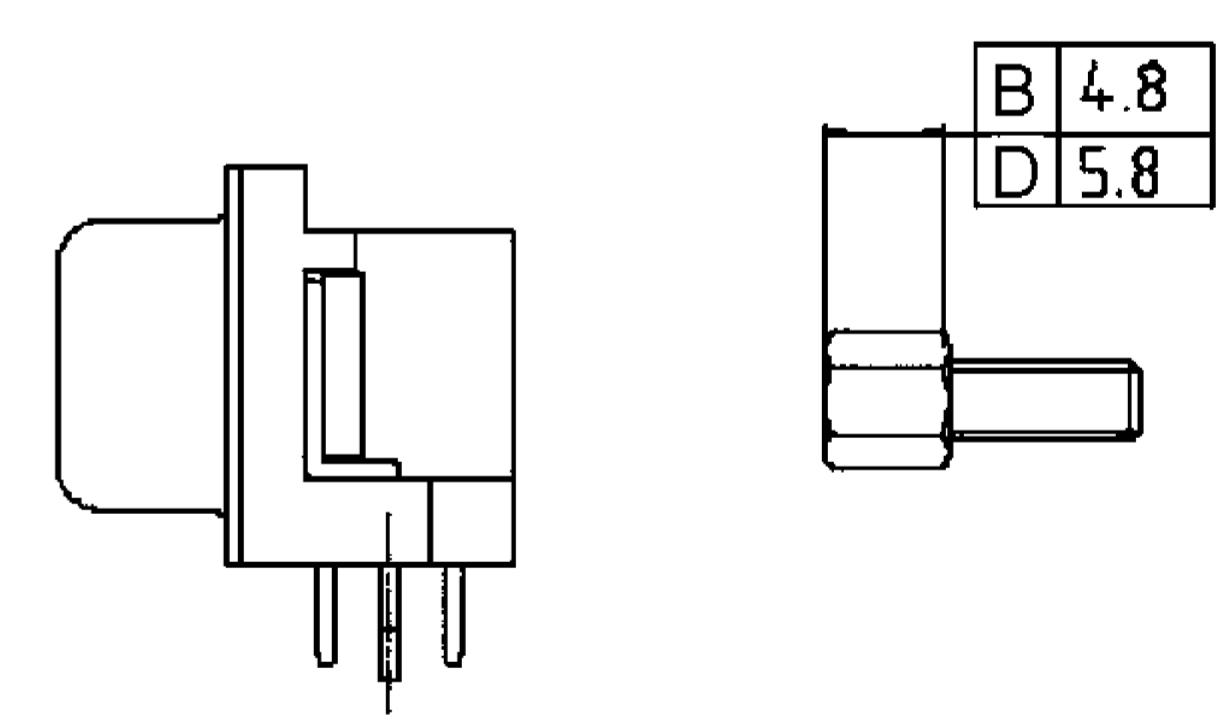
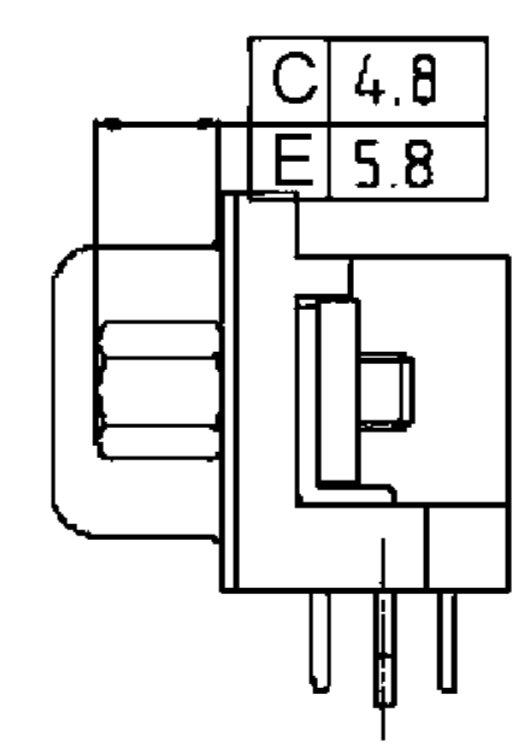
**ELECTRICAL CHARACTERISTICS**  
 Contact Current Rating: 3Amperes.  
 Dielectric Withstanding Voltage: AC 500V at sea level.  
 Insulation Resistance: 1000Megohms Min.  
 Contact Resistance: 25Milliohms Max.  
 Operation Temperature : -55°C to +105°C.

**Material**  
 Contact :Copper Alloy.  
 Insulator:PBT. (Select PA6T /LCP /PA9T)  
 Shell: SPCC.  
 Z-Piece: Copper Alloy.  
 Screw: Copper Alloy.  
 Rivet: Copper Alloy. or Zinc.



PN: C0523-15FBCXXR  
 PN: C0523-15FBEXXR

PN: C0523-15FBBXXR  
 PN: C0523-15FBDXXR



1 2 3 4 5 6 7 8