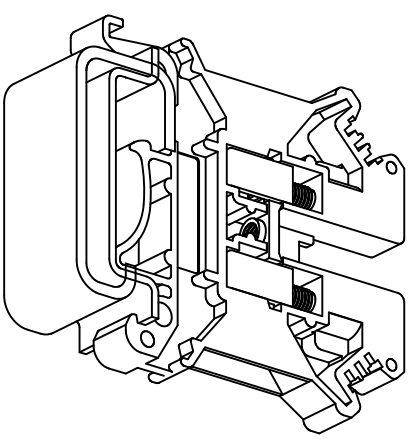
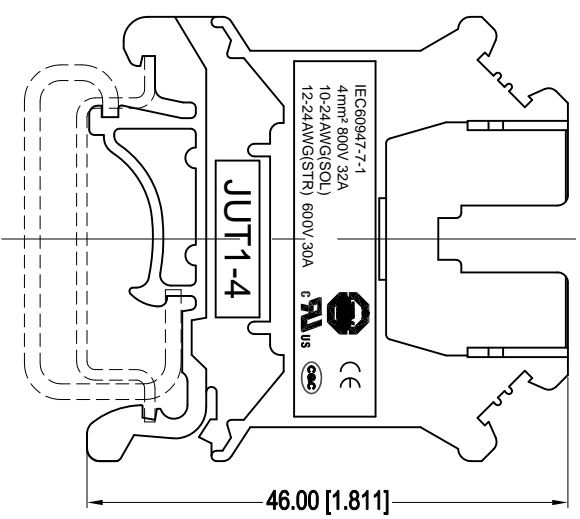
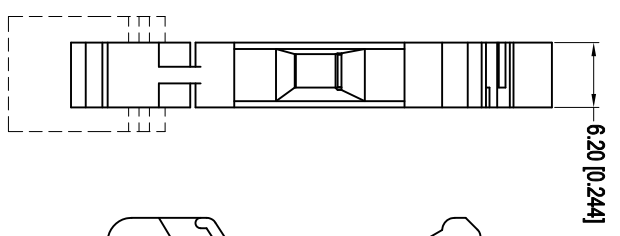
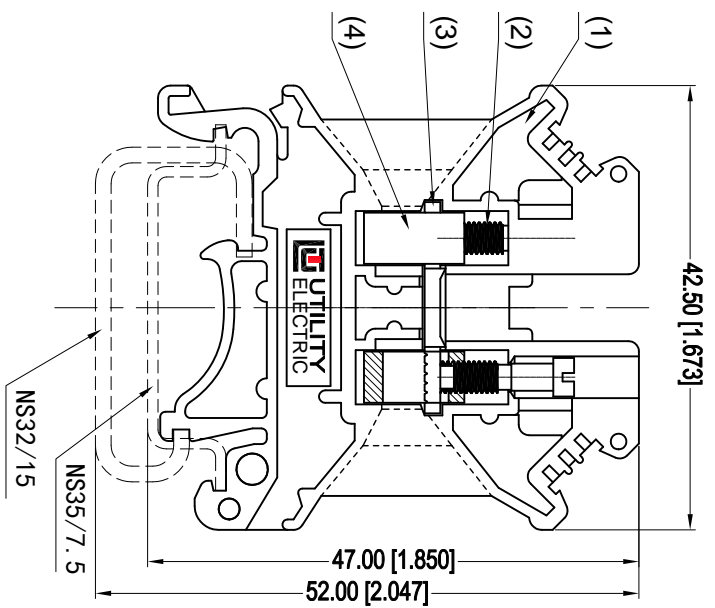


REV.	ECN NO.	REVISE NO.	REVISER	APPD.
版次	ECN 编号	处数	修订者	核准
R1	DRAWING			



Technical Data

Material:

- Body: PA66 UL94 V-0.
- Screw: Brass, Nickel Plated.
- Conductor: Copper, Tin Plated.
- Block: Brass, Nickel Plated.

Electrical:

- Voltage rating/Current rating: IEC 800V/32 A; UL 600V/30 A
- Contact resistance: 20 mΩ Max.
- Insulation resistance: 1000V, 1000 MΩ Min.
- Withstanding Voltage: AC 2500 V, 1 minute.

Mechanical:

- Torque: 0.8N·m Max.
- Connection Capacity: 24-12AWG.
- Stripping Length: 8mm.
- Operating temperature: -45° C to +105° C.



UTILITY ELECTRICAL CO., LTD
尤提乐电气有限公司

TYPE NO.	JUT1-4	TITLE	CUSTOMER DRAWING
型号:	JUT1-4	名称:	CUSTOMER DRAWING
APPD.		DWG. NO.:	C-DW0153-0
核准:		图号:	
CHKD.		SCALE:	FULL
审核:		比例:	
DR.	Jammy. ling	UNIT:	mm[inch]
设计:		REV.:	R1
MAT'L		材质:	
>120	±0.50		
>30~120	±0.30		
>6~30	±0.20		
0~6	±0.10	ANGLE	±1°