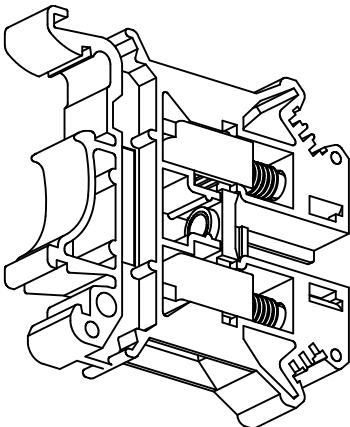
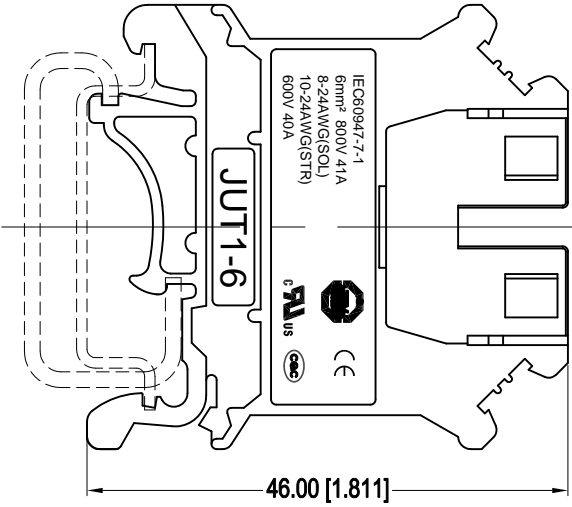
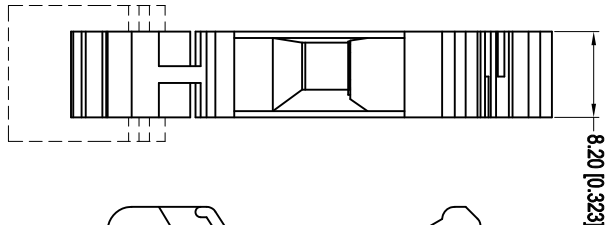
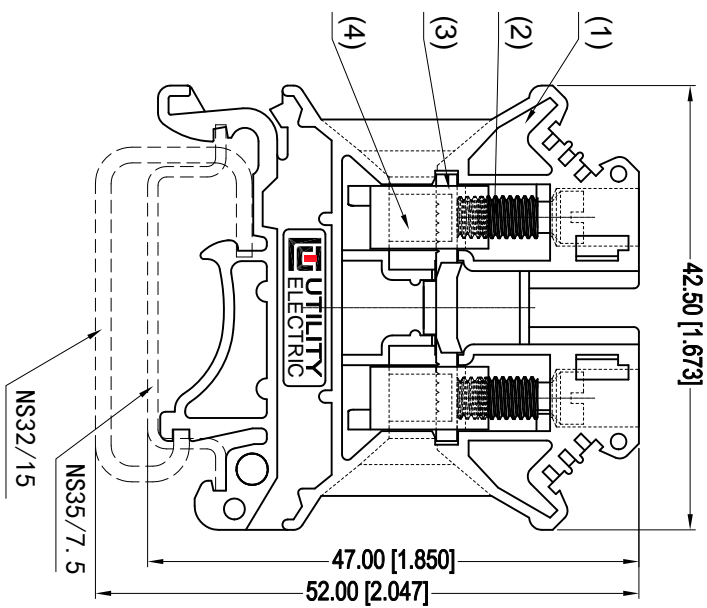


REV.	ECH.N.O.	REVISE.NO.	REVISER	APPD.
版次	ECH. 编号	处数	修订者	核准
R1	DRAWING			



Technical Data

Material:

- Body:PA66 UL94 V-0.
- Screw:Brass , Nickel Plated.
- Conductor:Copper , Tin Plated..
- Block:Brass , Nickel Plated.

Electrical:

- Voltage rating/Current rating:IEC 800V/41 A; UL 600V/40 A
- Contact resistance:20 mΩ Max.
- Insulation resistance:1000V, 1000 MΩ.Min
- Withstanding Voltage:AC 2500 V, 1 minute.

Mechanical:

- Torque:1.6N.m Max.
- Connection Capacity:24-10AWG.
- Stripping Length :8mm.
- Operating temperature:-45° C to +105° C.



ZHEJIANG UTILITY ELECTRICAL CO., LTD
浙江尤提乐电气有限公司

TYPE NO.	TITLE	SCALE	PAGE
>120	±0.50		
>30~120	±0.30		
>6~30	±0.20		
0~6	±0.10	ANGLE	±1°
MAT'L	材质:	DR. 设计:	jammy. ling
		CHKD. 审核:	
		UNIT: 单位:	mm[inch]
		REV.: 版次:	R1
		DMG. NO.:	C-DW0155-0
		图号:	
		名称:	CUSTOMER DRAWING
		型号:	JUT1-6