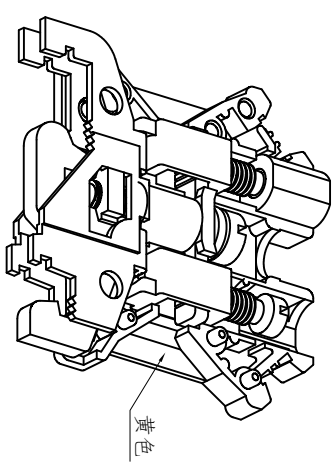
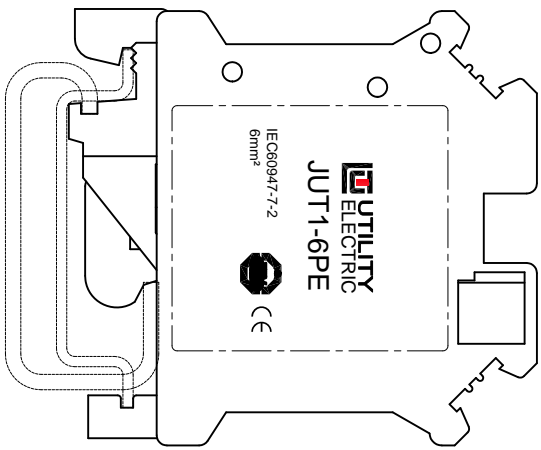
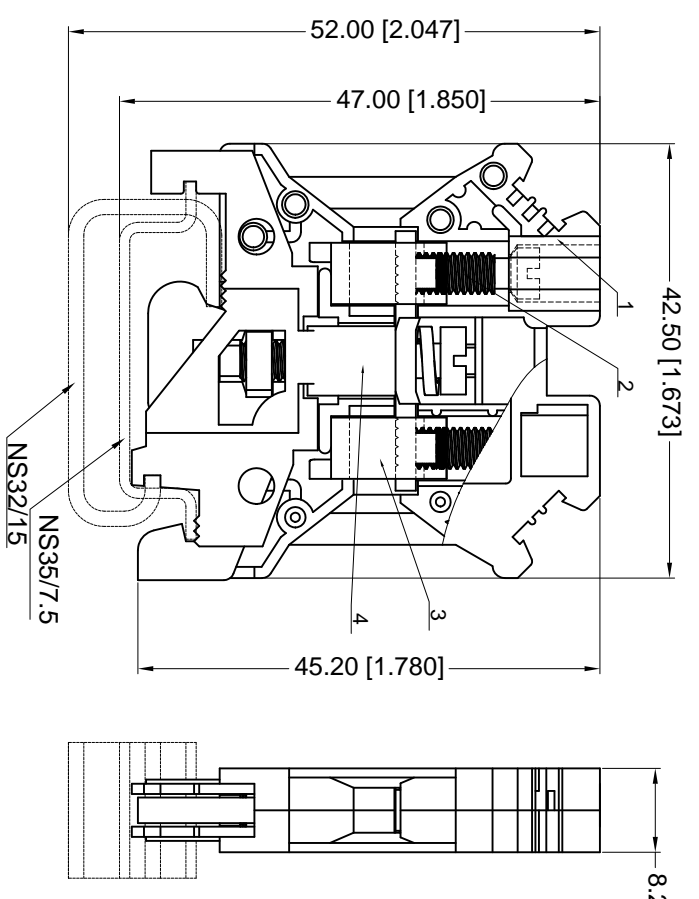


REV.	ECH.N.O.	REVISE.NO.	REVISER	APPD.
版次	ECN 编号	处数	修订者	核准
R1	DRAWING			



Technical Data

Material:

- Body:PA66 UL94 V-0.
- Screw:Brass , Nickel Plated.
- Conductor:Brass , Tin Plated.
- Block:Brass , Nickel Plated.

Electrical:

- Current rating:IEC 41A;
- Contact resistance:20 mΩMax.

Mechanical:

- Torque:1.4 N.m Max.
- Connection Capacity:20-10 AWG.
- Stripping Length :9mm.
- Operating temperature:-45° C to +105° C.



ZHEJIANG UTILITY ELECTRICAL CO., LTD
浙江尤提乐电气有限公司

TYPE NO.	TITLE
>120	±0.50
>30~120	±0.30
>6~30	±0.20
0~6	±0.10
MAT'L 材质:	ANGLE ±1°
DR. 设计:	Jammy. ling
TYPE NO.	JUT1-6PPE
TITLE	名称: Customer Drawing
APPD. 核准:	DWG. NO.: C-DW0169-0
CHKD. 审核:	SCALE: FULL
MAT'L 材质:	UNIT: mm[inch]
DR. 设计:	REV.: R1